



LIVERPOOL

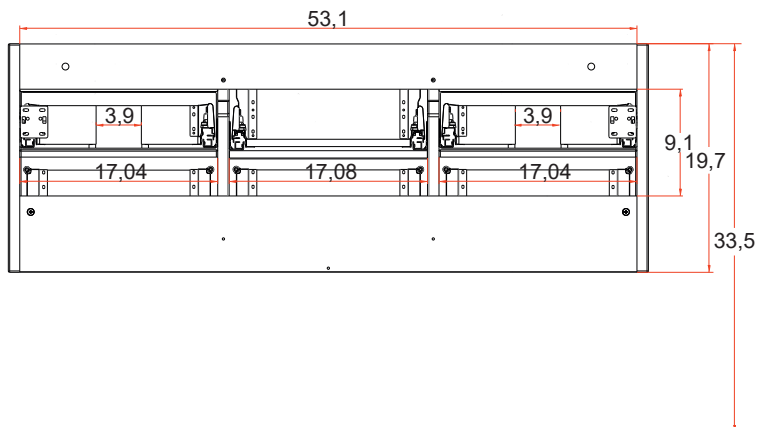
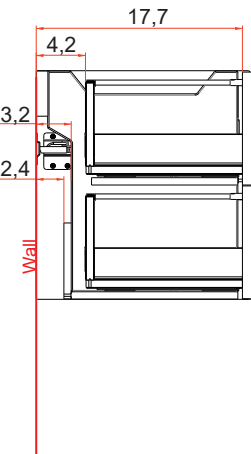
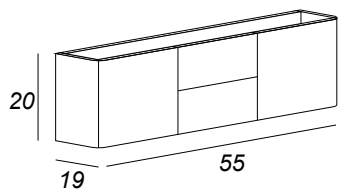
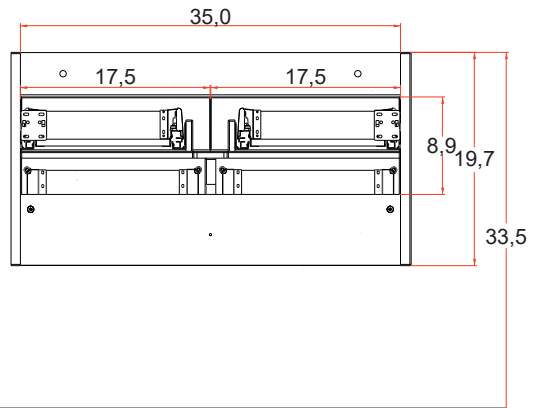
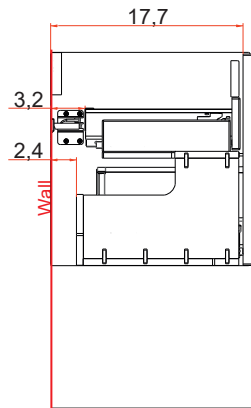
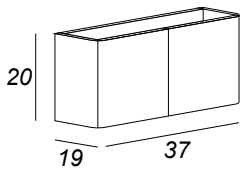
Series

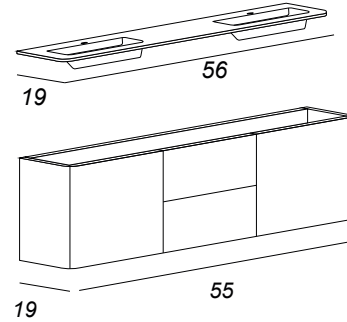
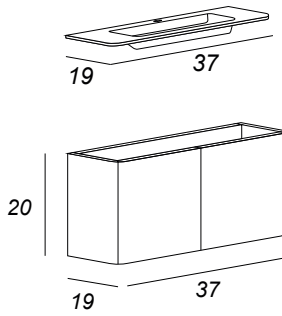
Features:

- Includes fully adjustable drawer sliders
- Fully finished interiors
- Includes installation hardware
- Medium-Density Fiberboard (MDF) construction
- PVC finish resists moisture and scratches

Side view for plumbing

Back view for plumbing





Basins available:
- Glass extralight

FURNITURE CHARACTERISTIC



Cabinet in MDF, sides and drawers thickness 0,98in, coated in PVC 0,01in waterproof and scratchproof that guarantee long life and reliability. Cabinet provided of internal drawers under washbasin.



Soft closing hinges guaranteed for 100,000 cycles. Soft closing slides guaranteed for 60,000 cycles. Hinges and slides used in furniture and complementary allow the adjustment in 3 different positions.



Glass washbasin extra-light white thickness 0,59in and resistant to high temperature and impacts.



It is not necessary to assemble the cabinet (product not in kit).

MIRRORS



Mirror lighting full-led, guarantee an energy saving of a 80/90% compared to a classic lighting incandescent or halogen and life of about 3/5 times higher.



The LED lighting can exceed 50.000 hours of activities, reducing the costs of maintenance. Not produce heat and withstand the high temperatures.



Unlike normal halogen lamps, do not contain mercury and do not emit harmful UV rays for the health.

IP44 ☐ CE

Installation notes:

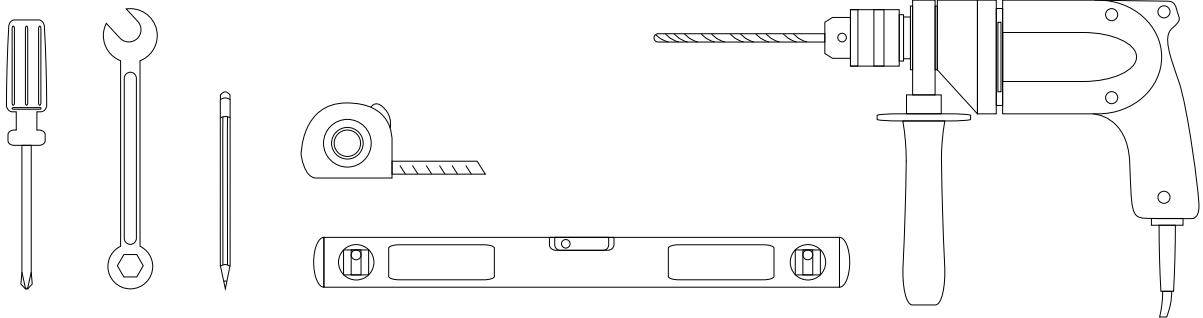
Install this product according to the installation guide
Special site preparation is required.

Wall bracing and Baden Haus supplied hardware are recommended.

The plumbing must be roughed into the plumbing cutout area of the vanity.

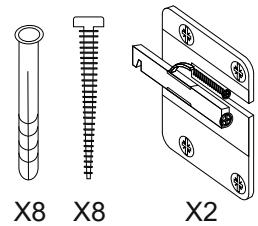
Refer to the sink rough-in and the vanity rough-in for proper placement. The water supply and drain lines must be installed before installing the vanity.

Installation tools not included:



Materials Included:

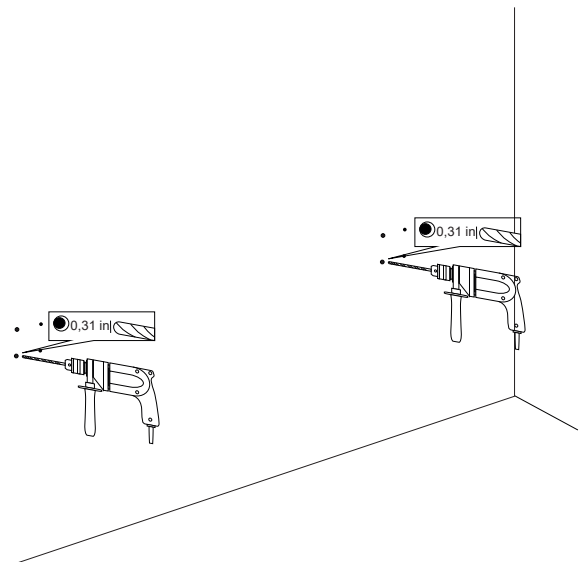
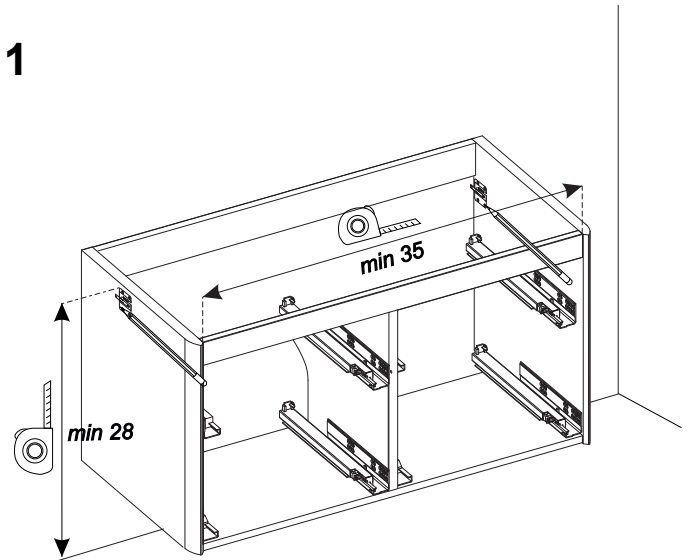
- 8 nylon rawlplug
- 8 screws
- 2 wall plate



Step 1

Determine the ideal location of your new vanity. Mark the holes and drill pilot holes in the wall.

1



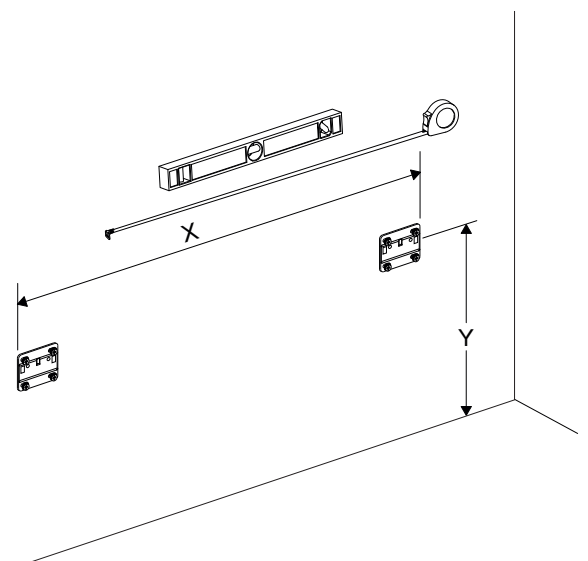
Step 2

Place the wall brackets on the finished wall and install at the locations drilled with the screws as shown here.

According to measures taken on step 1, make drills with diameter 0,3in. For each wall plate must be made 4 holes. Then insert nylon rawlplug for each drill.

Fix wall plate to wall using screws. After that plates are strongly fixed on wall, you can install vanity on wall.

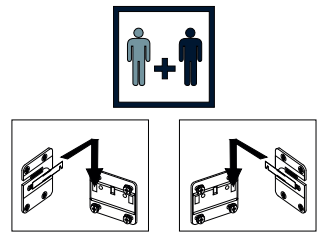
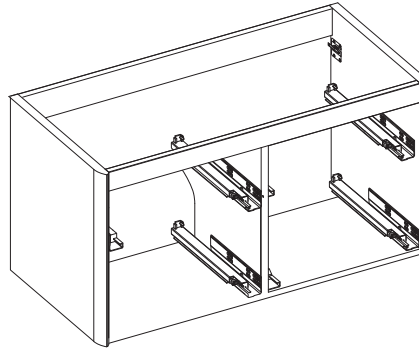
2



Step 3

It is possible to adjust the vanity using the adjusting screws.

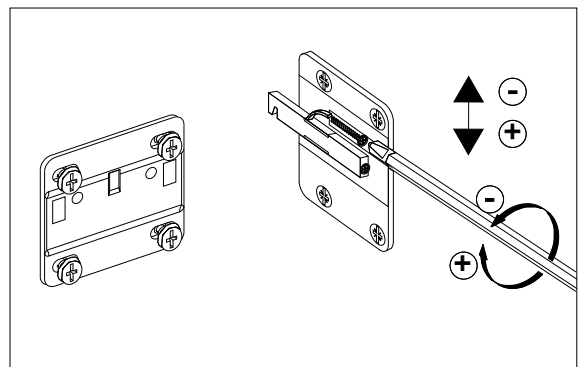
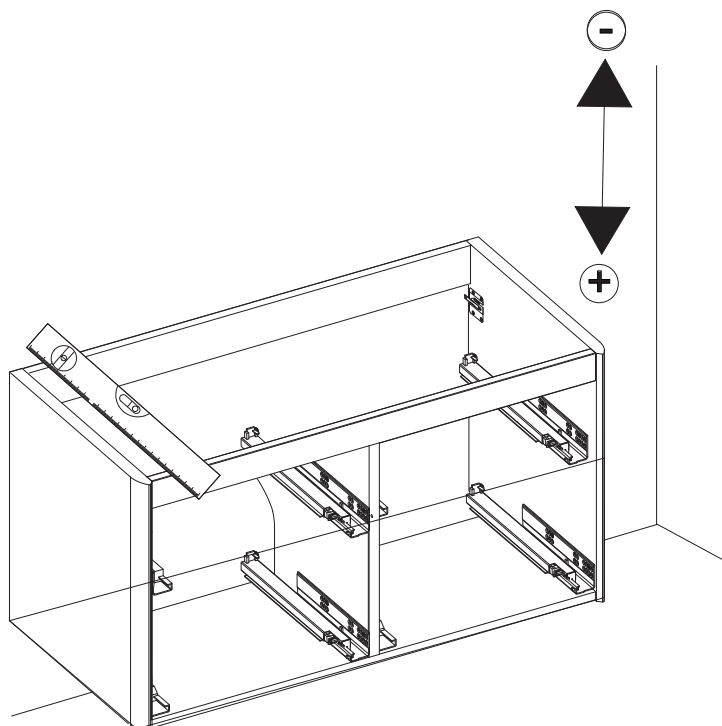
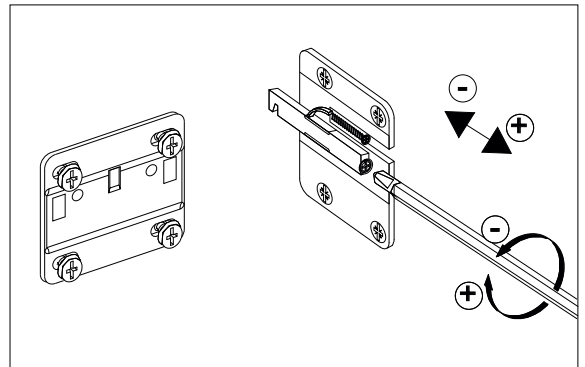
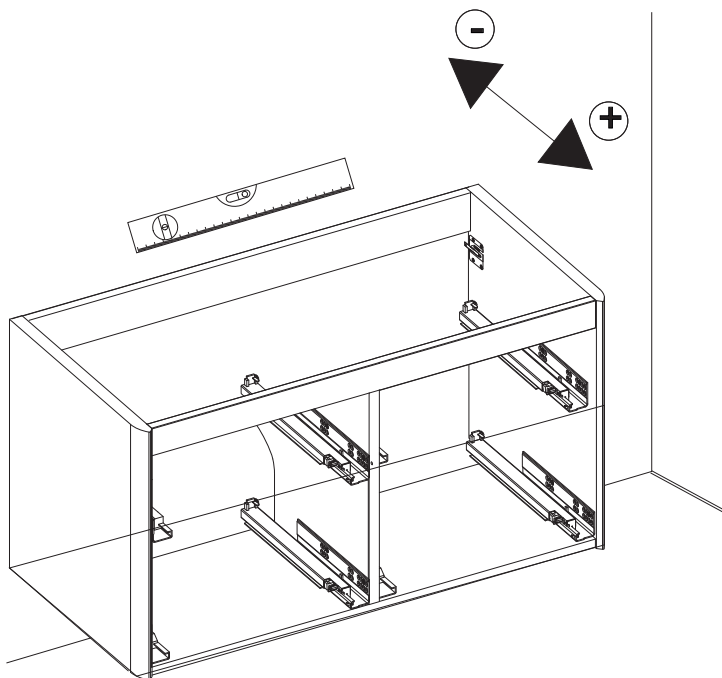
3



Step 4

Fully extend the slide rails out. Place the drawer into the slide rails. To secure drawer, close the drawer until a series of clicks are heard.

4



Step 5

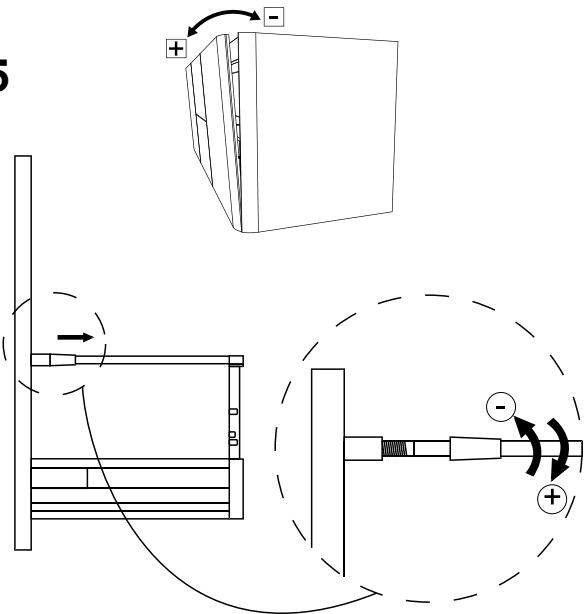
It is possible to adjust the front door forward and backward.

Step 6

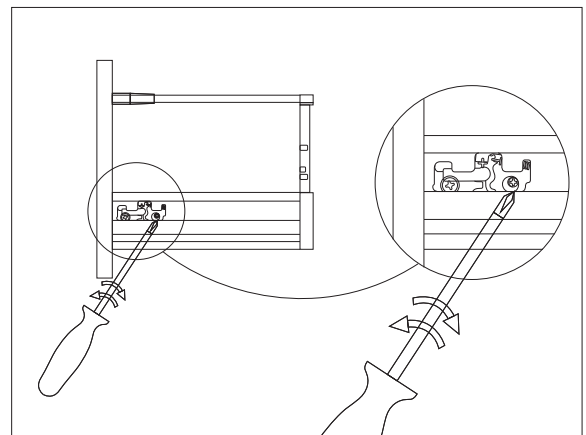
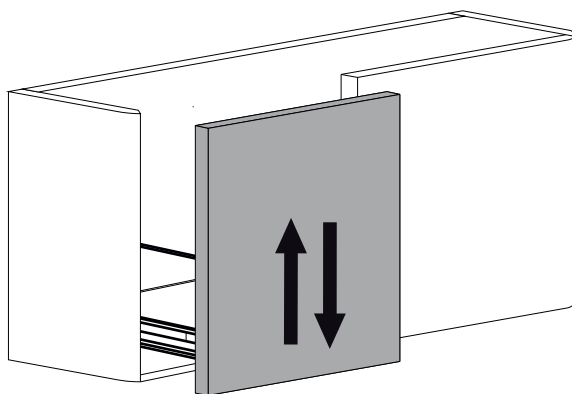
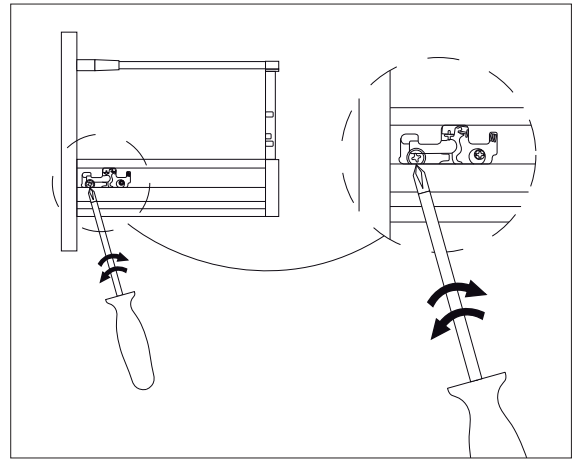
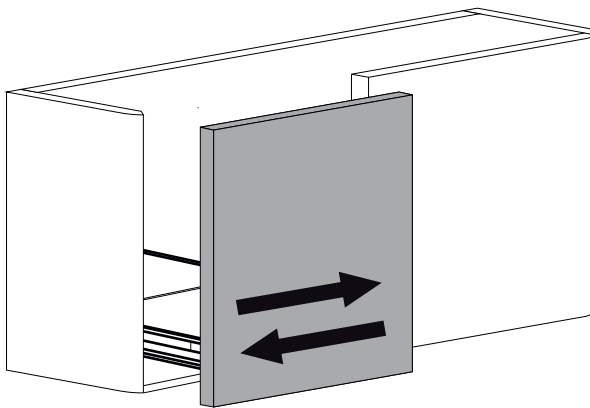
- It is possible to adjust the front door moving to left/right side using the correct adjustable screw.

- It is possible to adjust the front door moving to up/down side using the correct adjustable screw.

5

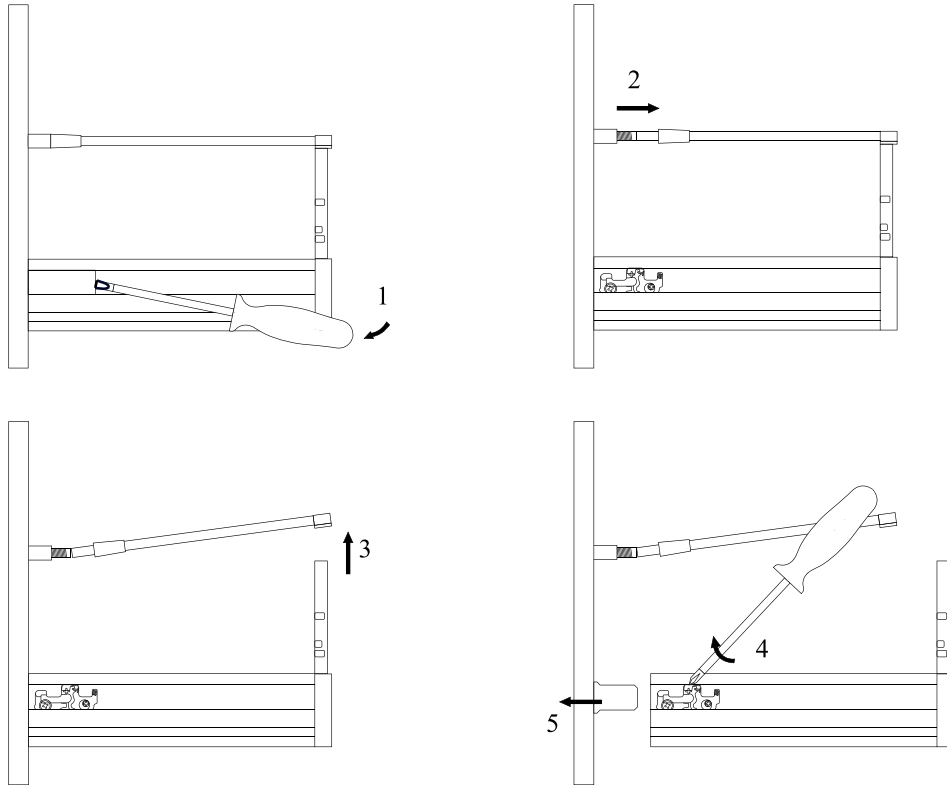


6

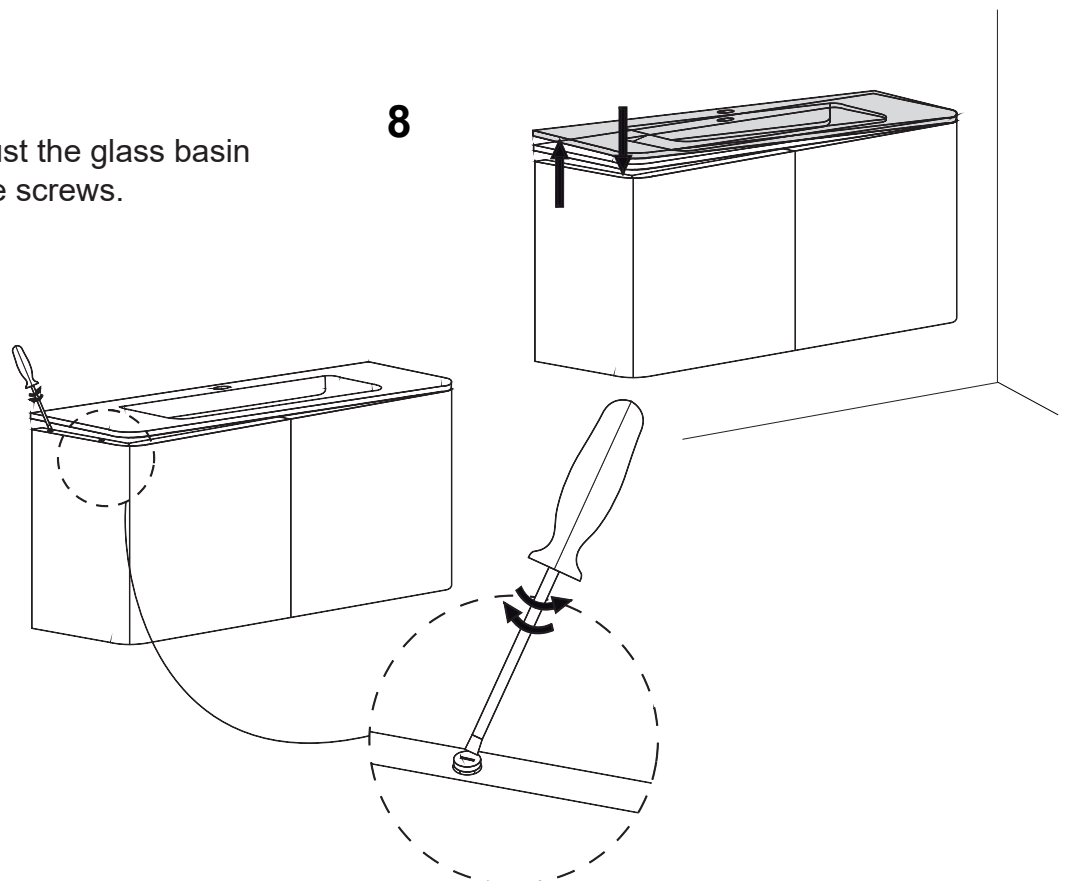


Step 7

It is possible to remove the front door following below instruction.

7**Step 8**

It is possible to adjust the glass basin using the adjustable screws.

8

Installation notes:

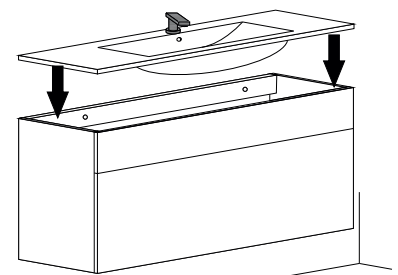
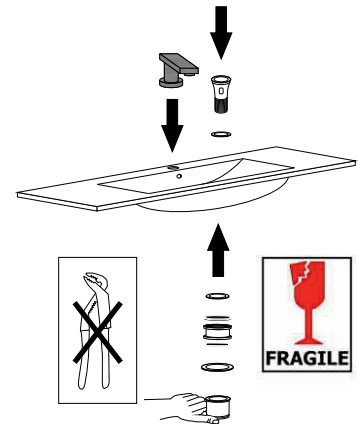
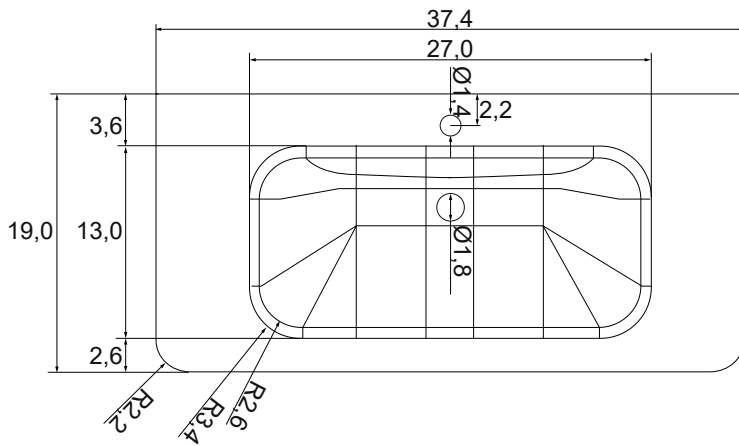
Faucet and silicone are not included.
All sizes are subject to tolerance.

Sink assembly

Install the faucet to the top and drains to the sink. Refer to the faucet and drain manufacturer's instructions.
Complete the faucet connections. Run water and check for leaks.
Apply a bead of silicone behind the top surface to the finished wall.

GLASS EXTRA-LIGHT BASIN ART. 82366

Top view of sink



GLASS EXTRA-LIGHT BASIN ART. 82367

Top view of sink

