

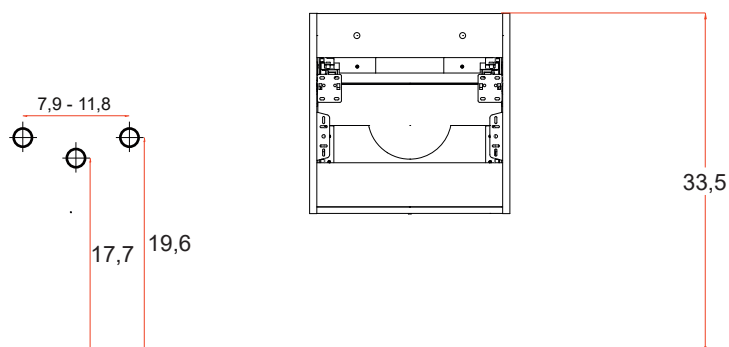
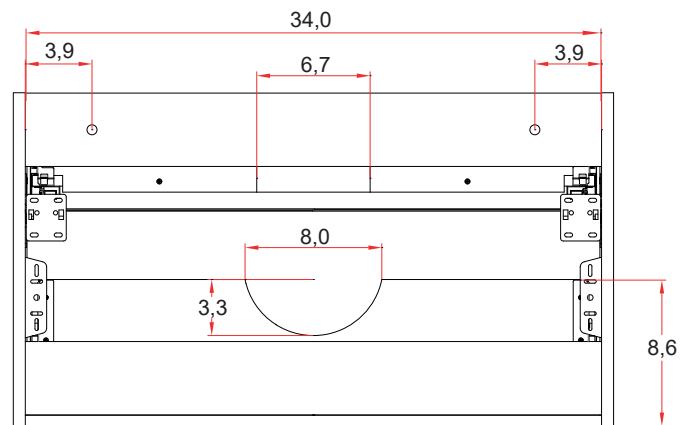
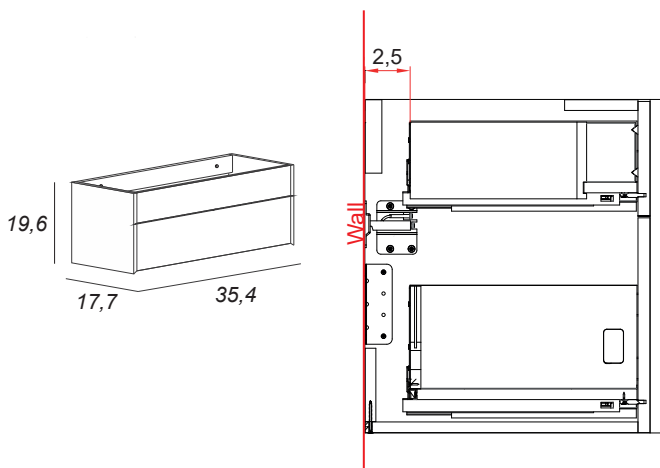
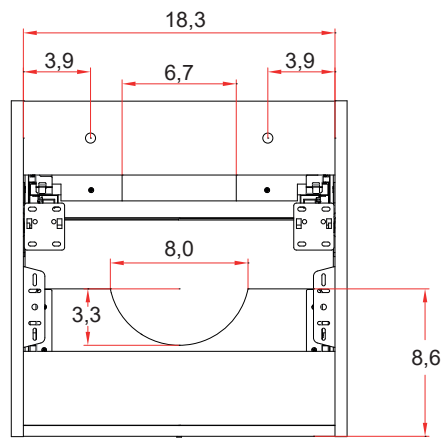
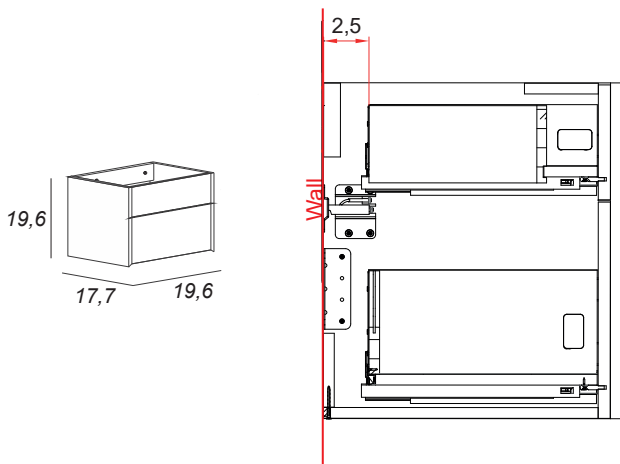


SPACE Series

- Features:**
 Drawers soft-close
 Fully finished interiors
 Includes installation hardware
 Includes fully adjustable drawer slides

Side view for plumbing

Back view for plumbing





SPACE

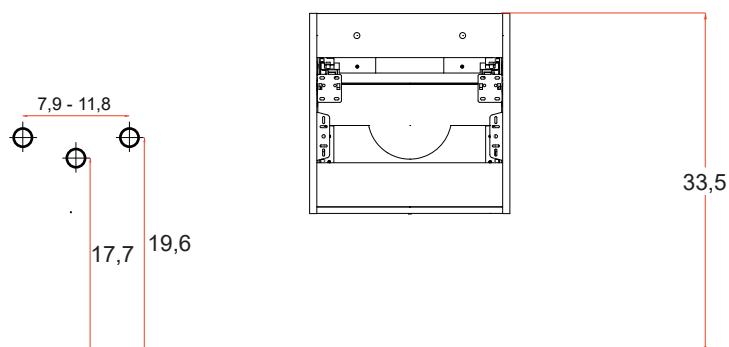
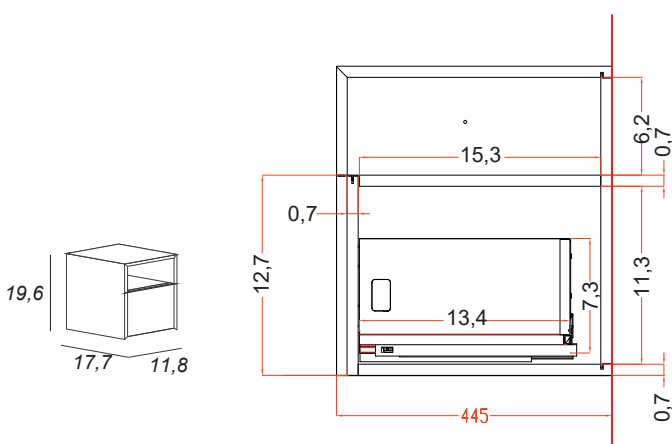
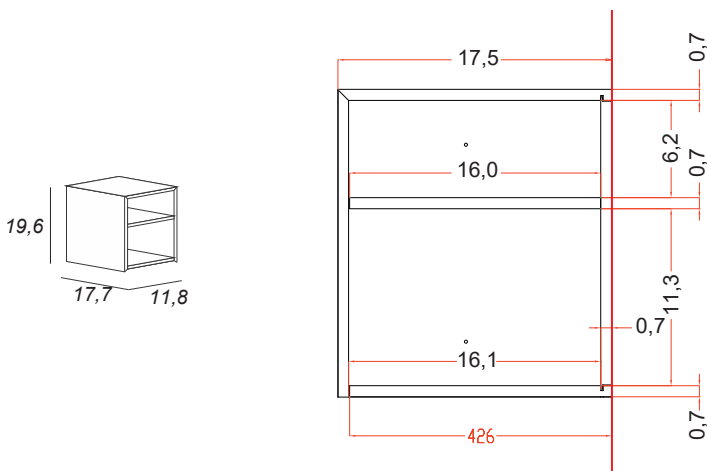
Series

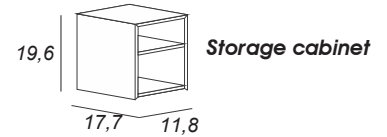
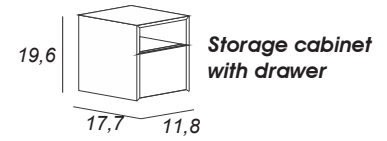
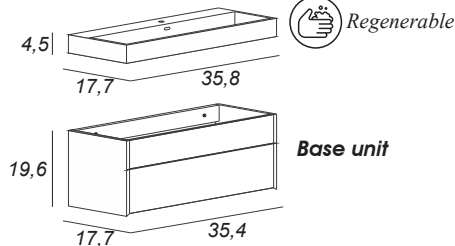
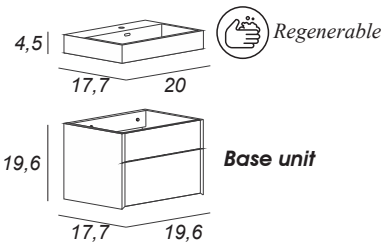
Features:

- Drawers soft-close
- Fully finished interiors
- Includes installation hardware
- Includes fully adjustable drawer slides

Side view for plumbing

Back view for plumbing





FURNITURE CHARACTERISTIC



Cabinet with 45° edge working on sides. Sides and doors' thickness 0,7in, with ABS edge and scratchproof which guarantee longevity and reliability. The inner finish is anthracite and are provided by organizers in fumè glass shelf to optimize the spaces. Handles and foot in matt white metal. The collection is completed by cabinet for washing machine, hanging cabinet, high cupboard and laundry basket.



Soft closing hinges guaranteed for 100,000 cycles. Soft closing slides guaranteed for 60,000 cycles. Hinges and slides used in furniture and complementary allow the adjustment in 3 different positions.



It is not necessary to assemble the cabinet (product not in kit).



Washbasin in matt white resin material, height 4,5in with wide and deep bowl, shock resistant and regenerable.

MIRRORS



Mirror lighting full-led, guarantee an energy saving of a 80/90% compared to a classic lighting incandescent or halogen and life of about 3/5 times higher.



The LED lighting can exceed 50.000 hours of activities, reducing the costs of maintenance. Not produce heat and withstand the high temperatures. IP44 ☑

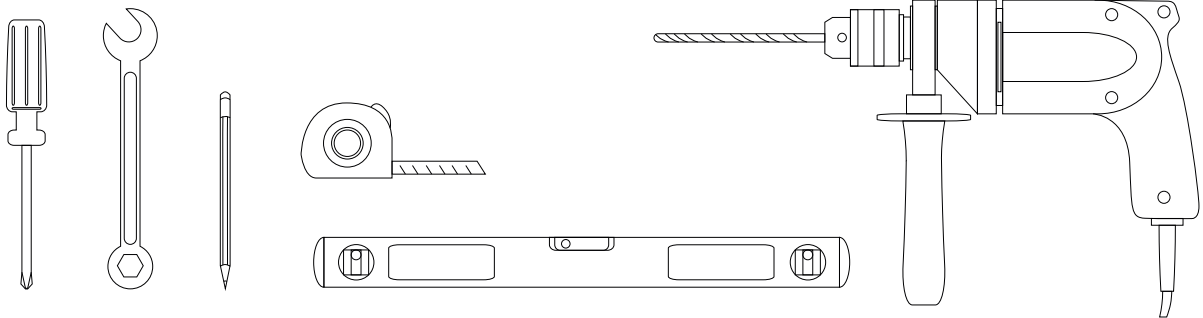


Unlike normal halogen lamps, do not contain mercury and do not emit harmful UV rays for the health.

Installation notes:

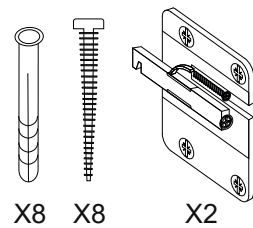
Install this product according to the installation guide
 Special site preparation is required.
 Wall bracing and Baden Haus supplied hardware are recommended.
 The plumbing must be roughed into the plumbing cutout area of the vanity.
 Refer to the sink rough-in and the vanity rough-in for proper placement. The water supply and drain lines must be installed before installing the vanity.

Installation tools not included:



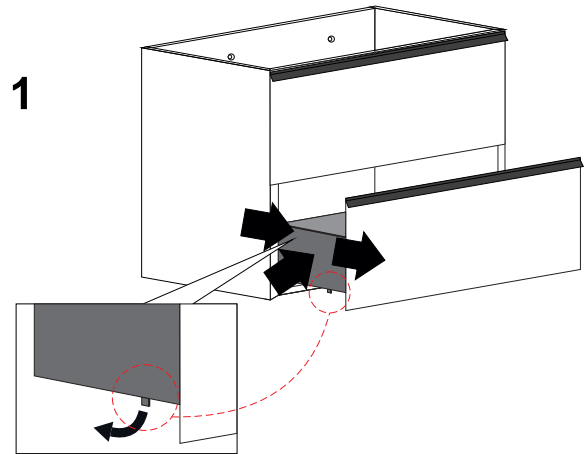
Materials Included:

8 nylon rawlplug
 8 screws
 2 wall plate

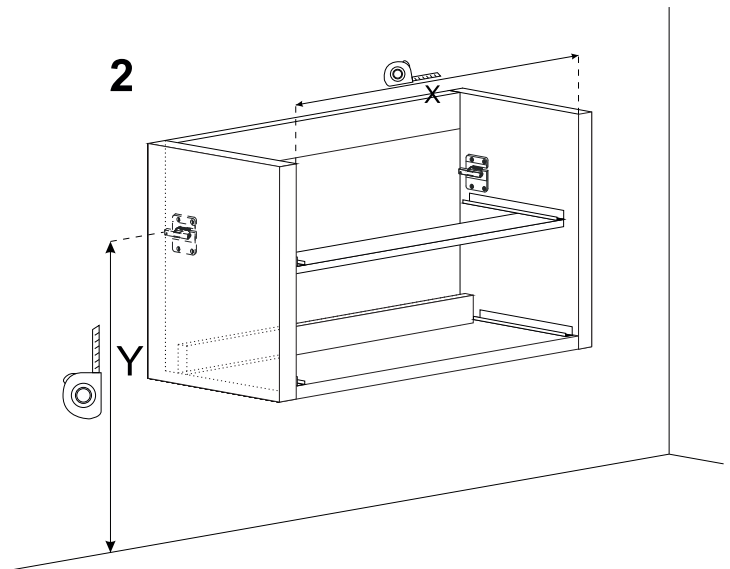


Step 1

Pull out completely the drawers and take off from the slide rails.


Step 2

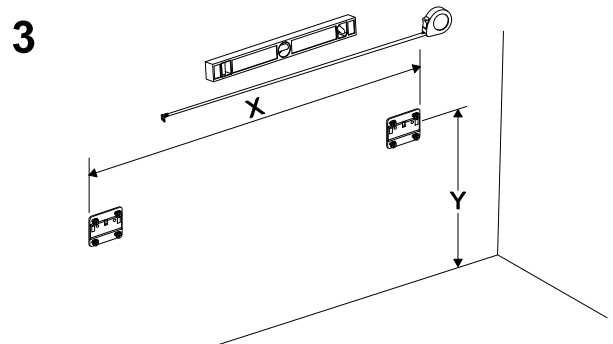
Determine the ideal location of your new vanity. Mark the holes and drill pilot holes in the dry wall.


Step 3

Place the wall brackets on the finished wall and install at the locations drilled with the screws as shown here.

According to measures taken on step 2, make drills with diameter 0,3in. For each wall plate must be made 4 holes. Then insert nylon rawlplug for each drill.

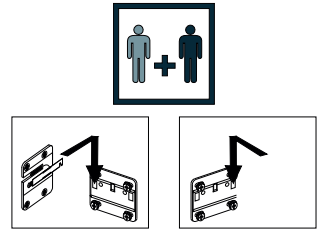
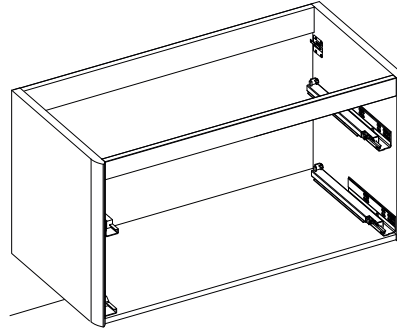
Fix wall plate to wall using screws. After that plates are strongly fixed on wall, you can install vanity on wall.



Step 4

It is possible to adjust the vanity using the adjusting screws.

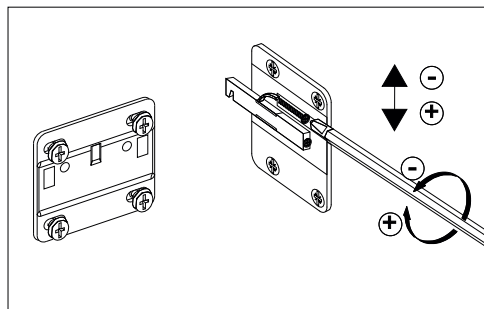
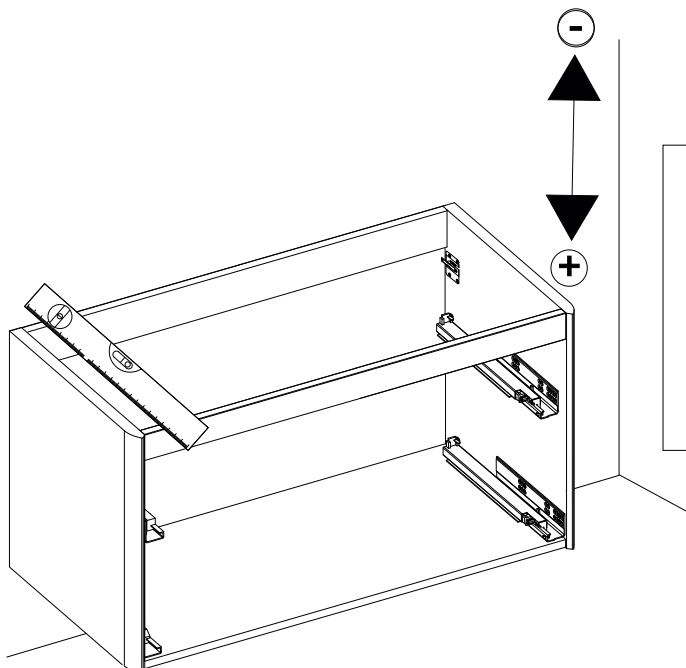
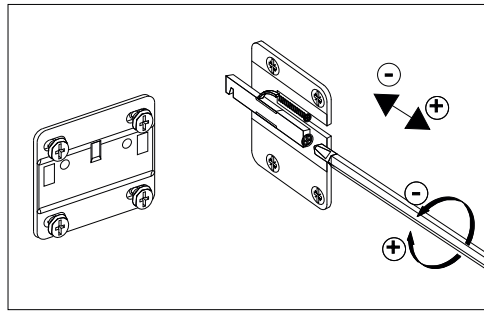
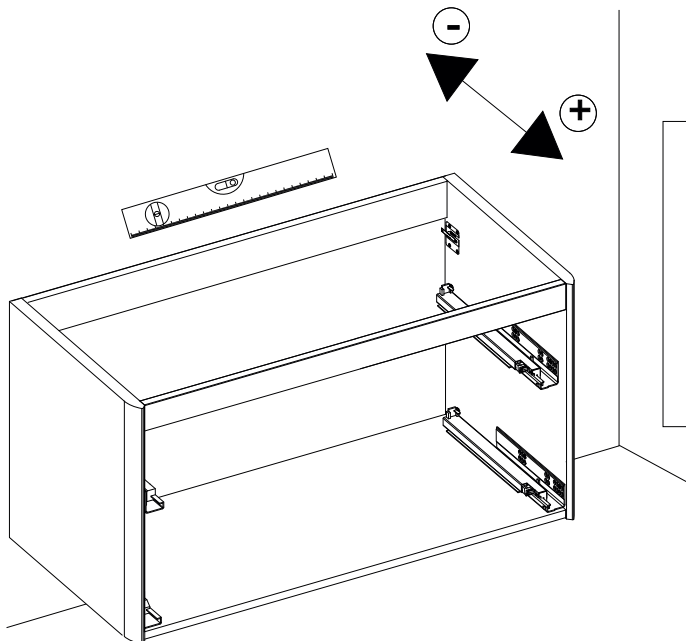
4



Step 5

Fully extend the slide rails out. Place the drawer into the slide rails. To secure drawer, close the drawer until a series of clicks are heard.

4



Installation notes:

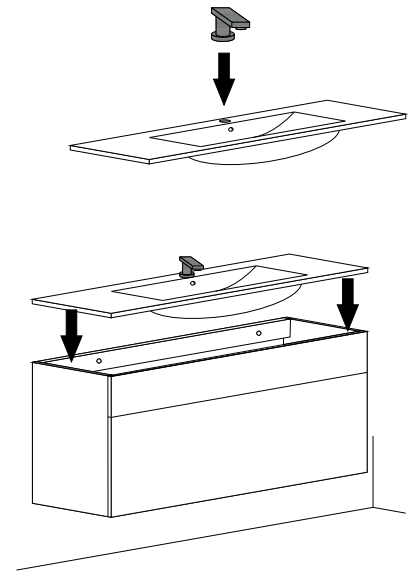
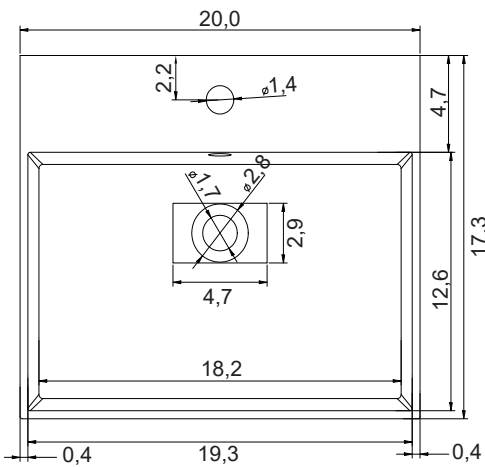
Faucet and silicone are not included.
 All sizes are subject to tolerance.

Sink assembly

Install the faucet to the top and drains to the sink. Refer to the faucet and drain manufacturer's instructions. Complete the faucet connections. Run water and check for leaks. Apply a bead of silicone behind the top surface to the finished wall.

RESIN BASIN ART. 50262

Top view of sink


RESIN BASIN ART. 50263

Top view of sink

