

It's all
about the
experience



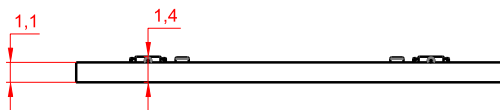
BADEN HAUS S.p.A.
SINCE 1979
www.badenhaus.it

MIRROR

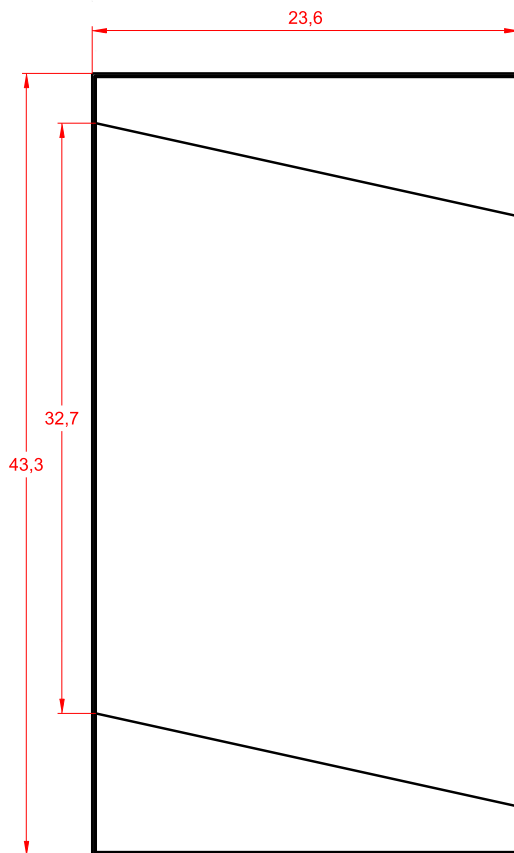
Series Qubo - Art. 45050

Features:
21 W, 1500 Lm
Includes adjustable support
Fully finished backboard
Includes installation hardware
Metal frame

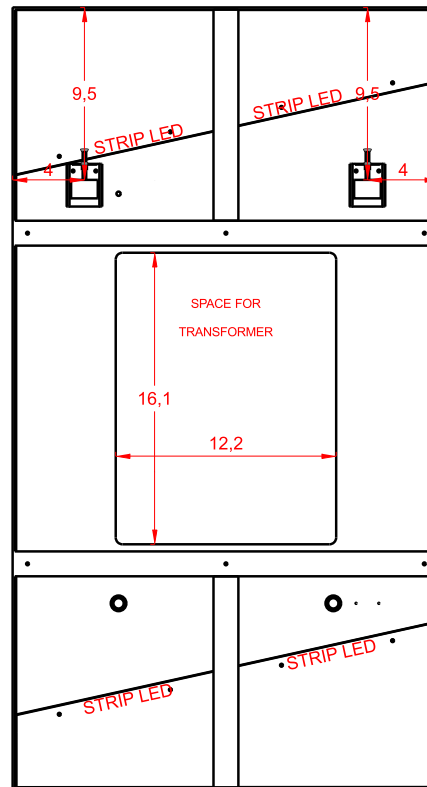
Top view



Front view



Back view





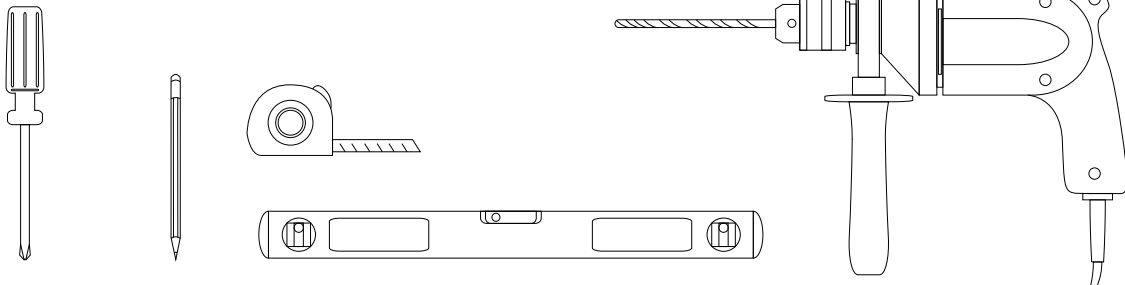
MIRROR

Series

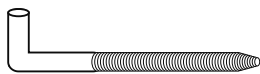
Installation notes:

Install this product according to the installation guide
Wall bracing and Baden Haus supplied hardware are recommended.

Installation tools not included:



Parts supplied:



x2

Hook 0,21in x 2,48in



x2

Nylon rawplug 0,31 x 1,57in **suitable for brick wall**

MIRRORS



Mirror lighting full-led, guarantee an energy saving of a 80/90% compared to a classic lighting incandescent or halogen and life of about 3/5 times higher.



The LED lighting can exceed 50.000 hours of activities, reducing the costs of maintenance. Not produce heat and withstand the high temperatures.

IP44 ☐ € €



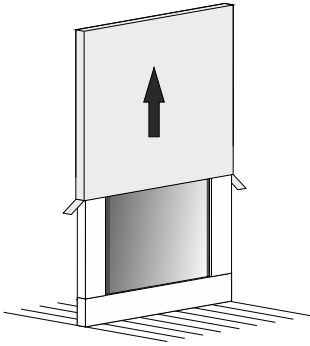
Unlike normal halogen lamps, do not contain mercury and do not emit harmful UV rays for the health.



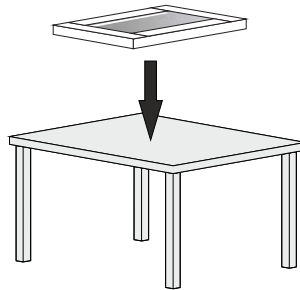
MIRROR

Series

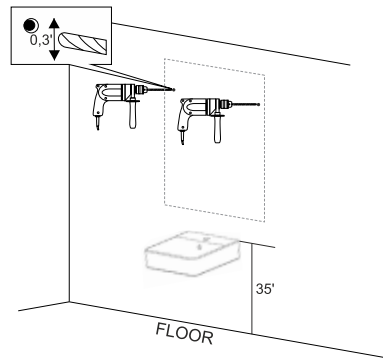
1



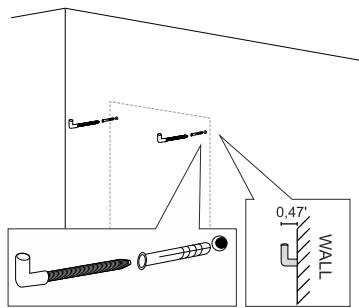
2



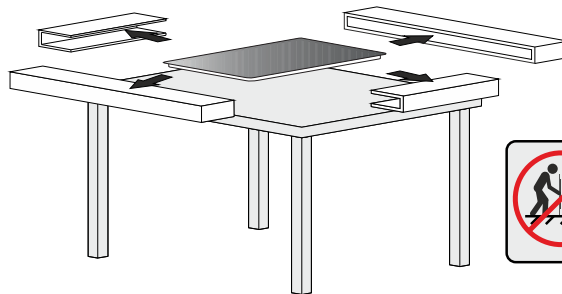
3



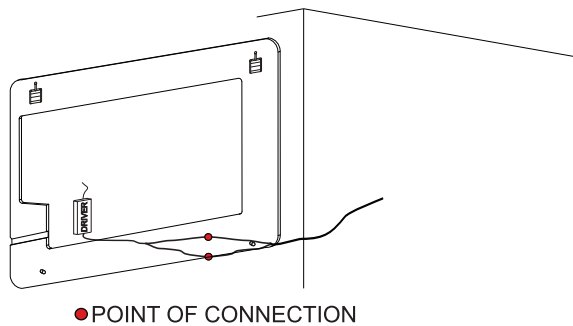
4



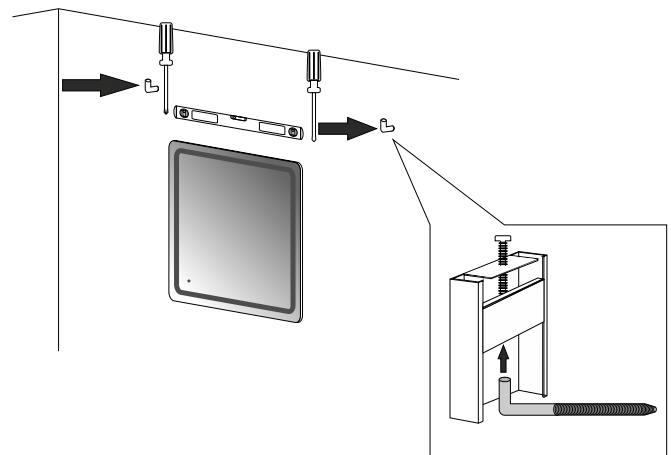
5



6



7



The light source contained in this luminaire shall only be replaced by the manufacturer or his service agent or a similar qualified person.