



AVRIL Series

Features:

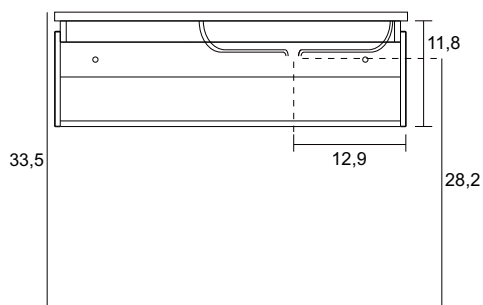
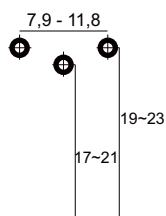
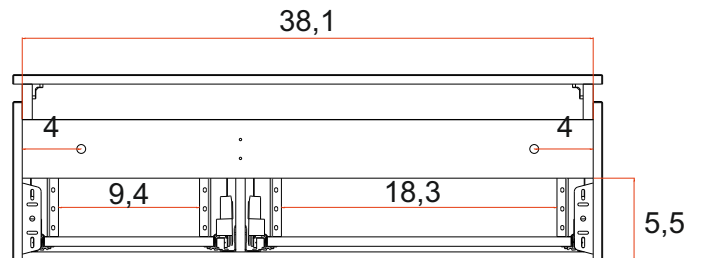
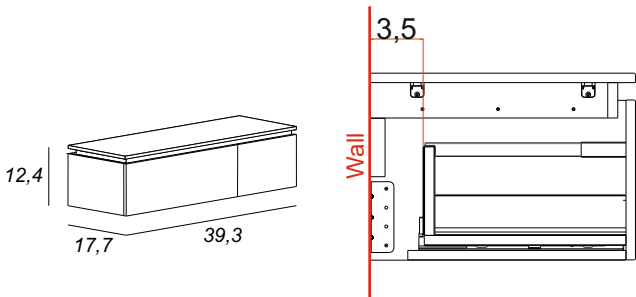
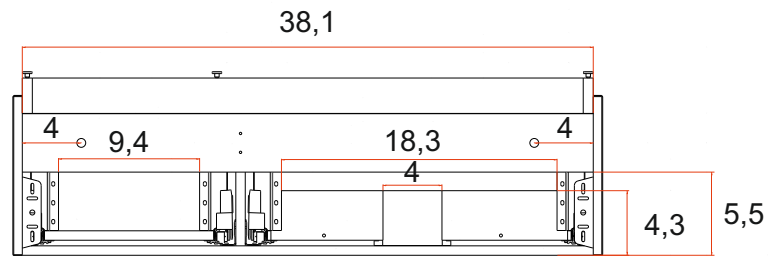
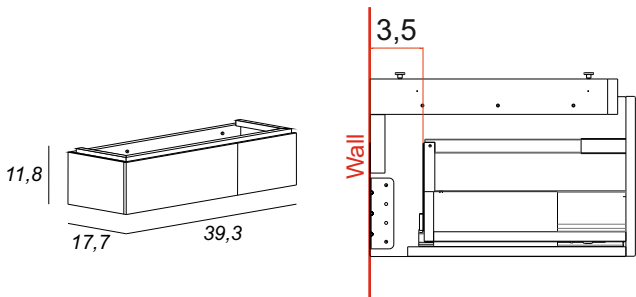
- Includes fully adjustable drawer sliders
- Fully finished interiors
- Includes installation hardware
- Medium-Density Fiberboard (MDF) construction
- PVC finish resists moisture and scratches

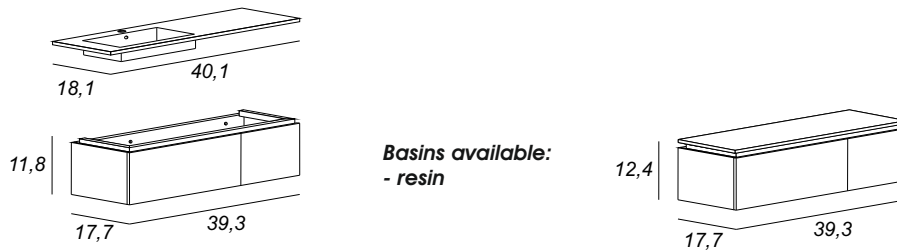
Notes:

All sizes of vanities are subject to tolerance, +/- 0.40 inches

Side view for plumbing

Back view for plumbing





FURNITURE CHARACTERISTIC



Cabinet in MDF, sides and drawers thickness 0,62in, coated in PVC 0,01in waterproof and scratchproof that guarantee long life and reliability. Opening type throat on the beat cabinet.



Soft closing hinges guaranteed for 100,000 cycles. Soft closing slides guaranteed for 60,000 cycles. Hinges and slides used in furniture and complementary allow the adjustment in 3 different positions.



Resin washbasin thickness 0,98in impact resistant.



It is not necessary to assemble the cabinet (product not in kit).

MIRRORS



Mirror lighting full-led, guarantee an energy saving of a 80/90% compared to a classic lighting incandescent or halogen and life of about 3/5 times higher.



The LED lighting can exceed 50.000 hours of activities, reducing the costs of maintenance. Not produce heat and withstand the high temperatures.
 IP44 ☐ CE



Unlike normal halogen lamps, do not contain mercury and do not emit harmful UV rays for the health.

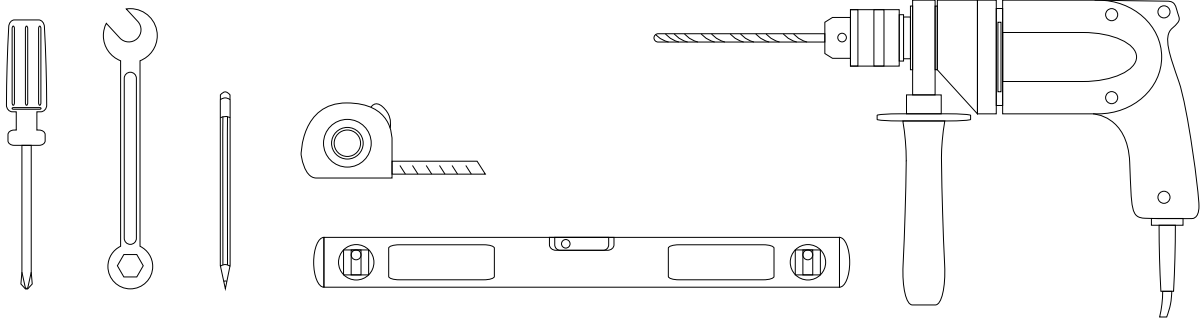
Installation notes:

Install this product according to the installation guide
 Special site preparation is required.

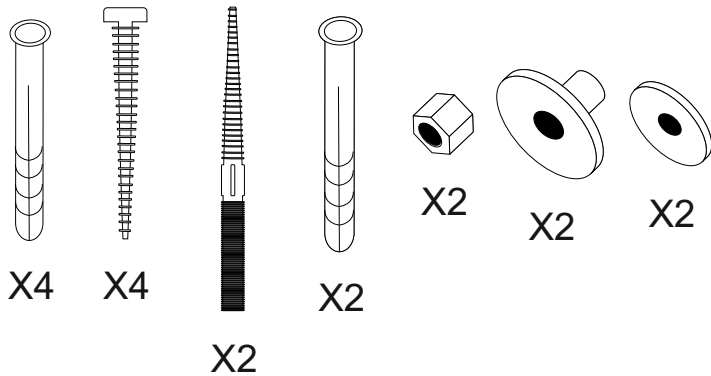
Wall bracing and Baden Haus supplied hardware are recommended.

The plumbing must be roughed into the plumbing cutout area of the vanity.

Refer to the sink rough-in and the vanity rough-in for proper placement. The water supply and drain lines must be installed before installing the vanity.

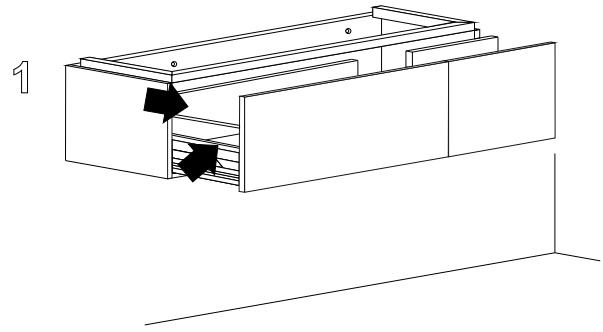
Installation tools not included:

Materials Included:

- 4 short nylon rawlplug
- 4 short screws
- 2 long nylon rawlplug
- 2 acorn nut
- 2 nylon washer
- 2 metal washer

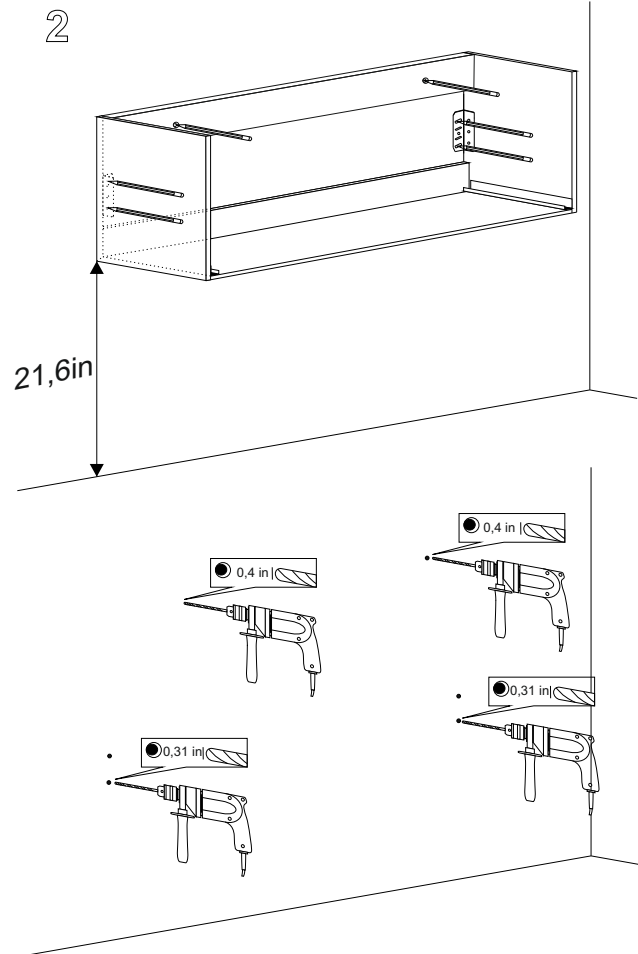


Step 1

Pull out completely the drawers and take off from the slide rails.


Step 2

Determine the ideal location of your new vanity. Mark the holes and drill pilot holes in the wall.


Step 3

Place the vanity frame on the finished wall and install at the locations drilled with the screws shown in Figure 3:

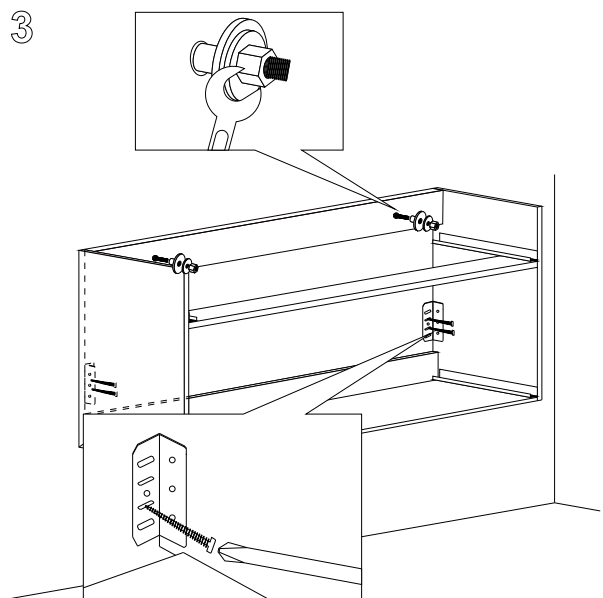
The long nylon raw for the long screw with nylon washer and metal washer and fix with acorn nut.

The short nylon raw for the short screw.

Fully extend the slide rails out.

Place the drawer into the slide rails.

To secure drawer, close the drawer until a series of clicks are heard.



Installation notes:

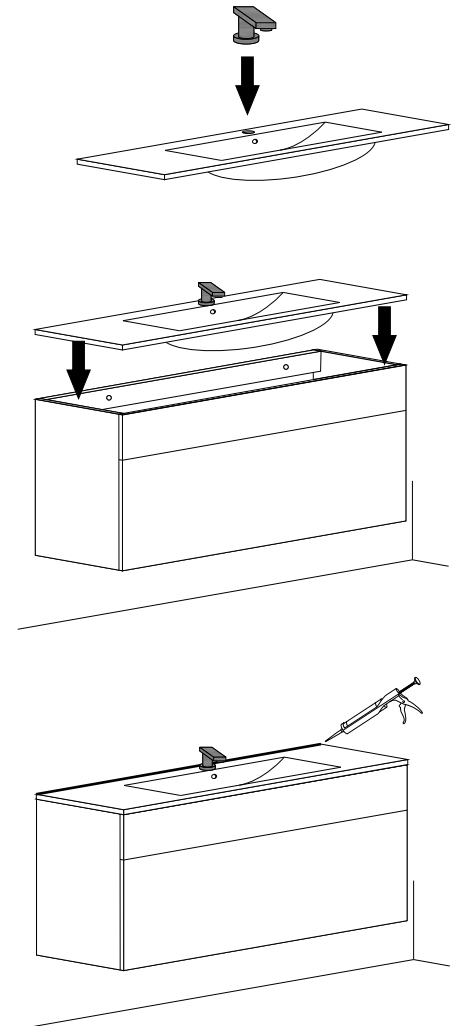
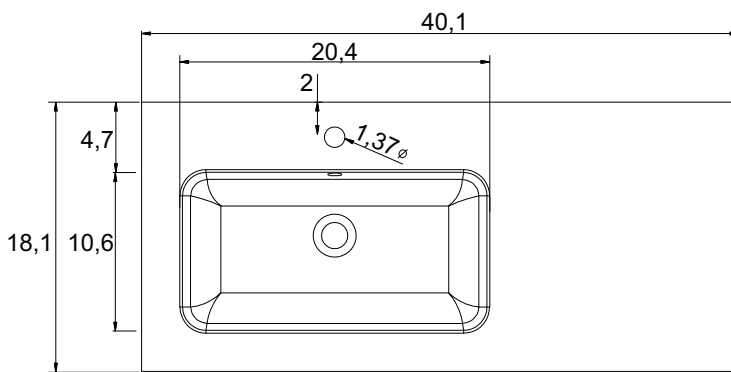
Faucet and silicone are not included.
 All sizes of sinks are subject to tolerance:
 +/- 0.40 inches (ceramic) and +/- 0.20
 inches (glass and resin)

Sink assembly

Install the faucet to the top and drains to the sink. Refer to the faucet and drain manufacturer's instructions.
 Complete the faucet connections. Run water and check for leaks.
 Apply a bead of silicone behind the top surface to the finished wall.

RESIN BASIN ART. 50165

Top view of sink





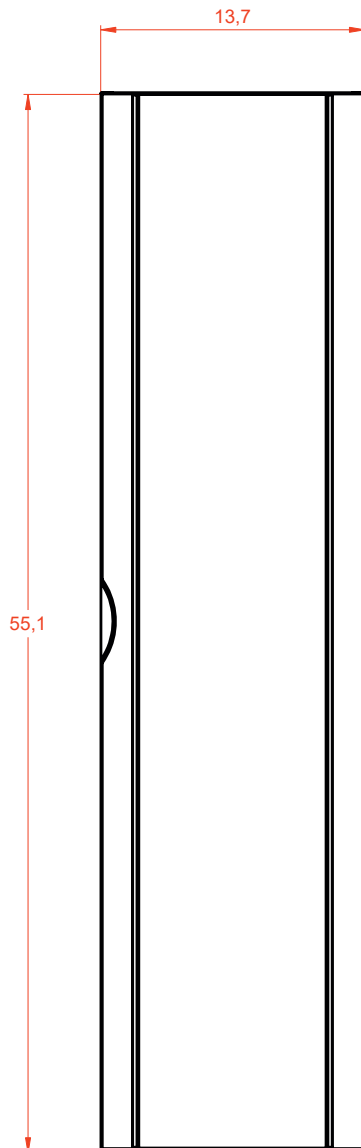
HIGH CUPBOARD

Series - Art. 44676/44714/44737/44915
44784/44785/44786/44713/44666/44695
44847/44844

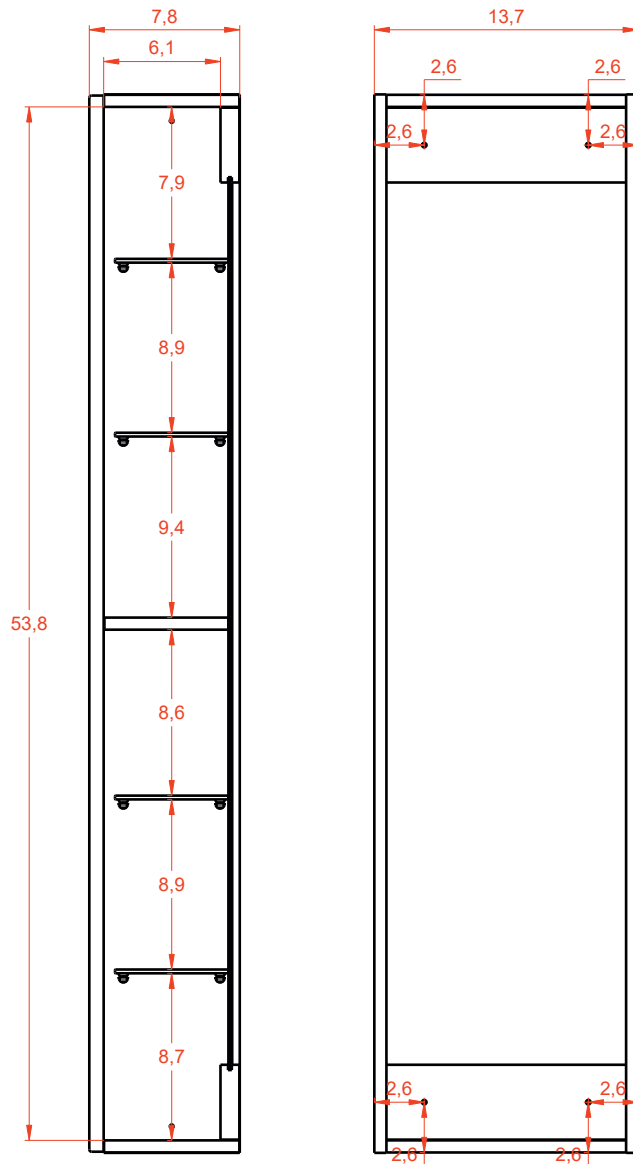
Features:

- Includes adjustable support
- Fully finished backboard
- Includes installation hardware
- Micro-Density Fiberboard (MDF) construction

Side view



Back view





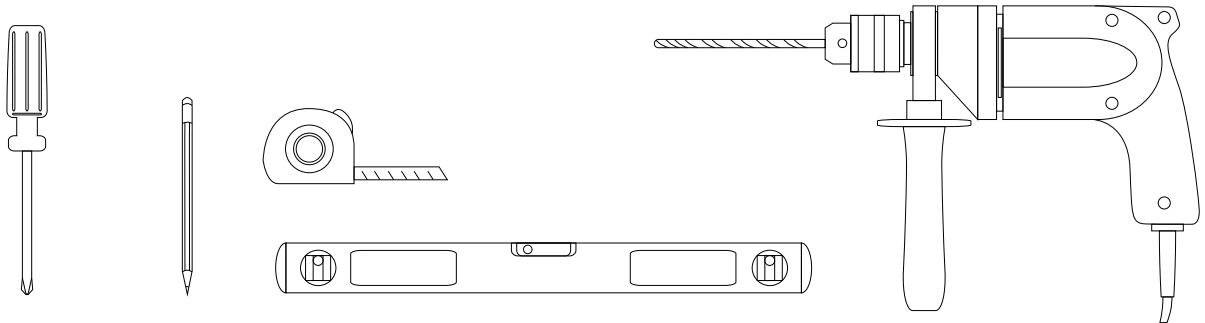
HIGH CUPBOARD

Series

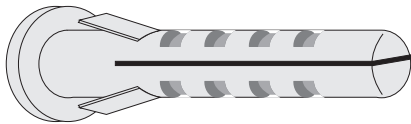
Installation notes:

Install this product according to the installation guide
Wall bracing and Baden Haus supplied hardware are recommended.

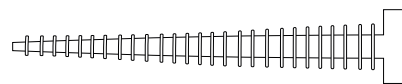
Installation tools not included:



Parts supplied:



X4



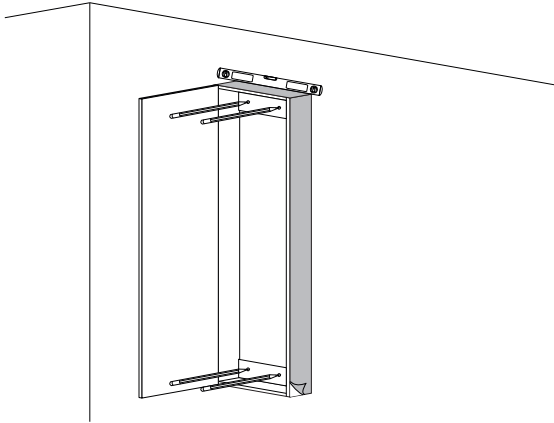
X4



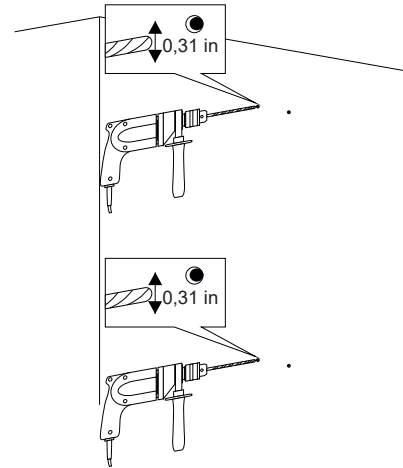
HIGH CUPBOARD

Series

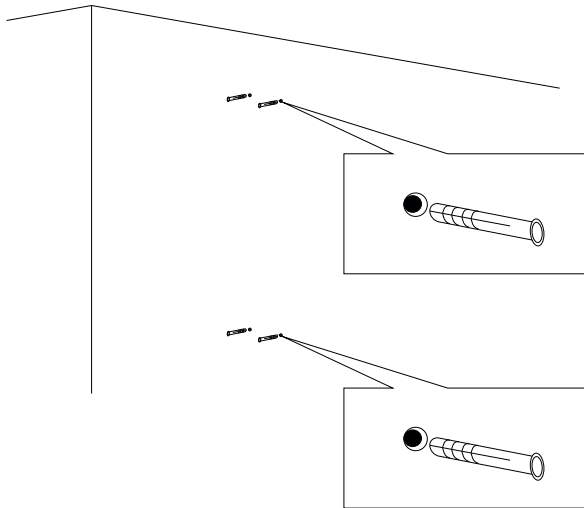
1



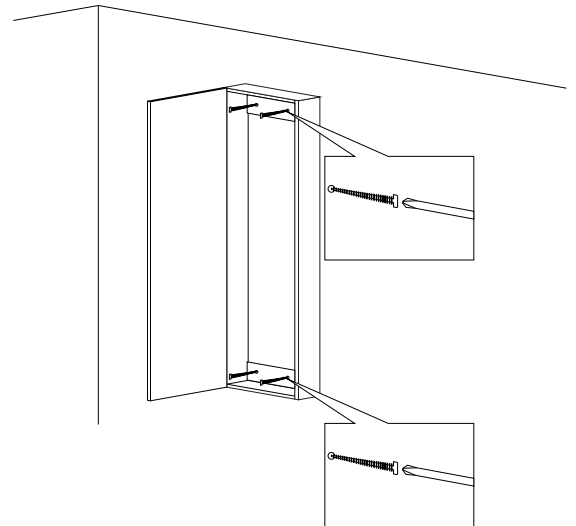
2



3



4



LUXURY ITALIAN
FURNITURE

It's all
about the
experience



BADEN HAUS S.p.A.
SINCE 1979
www.badenhaus.it

HIGH CUPBOARD

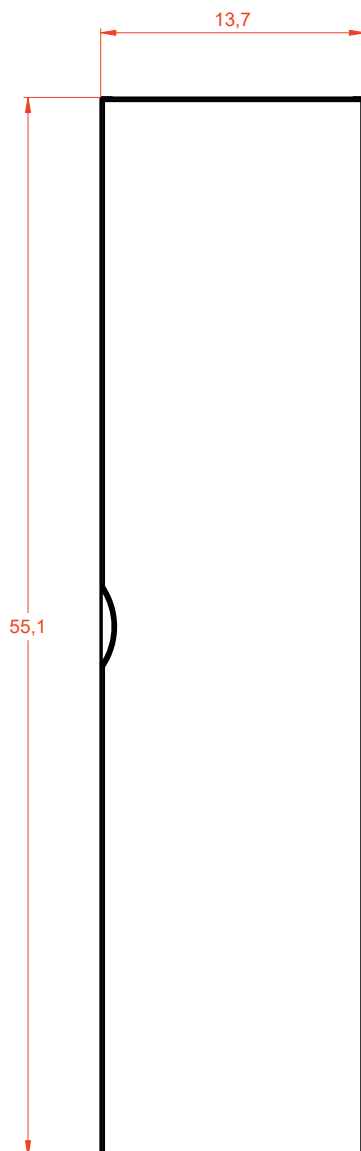
Series - Art. 44675/54595/44735/44914/
44597/44782/44783/54586/44672/44694/
44846/44828

Features:

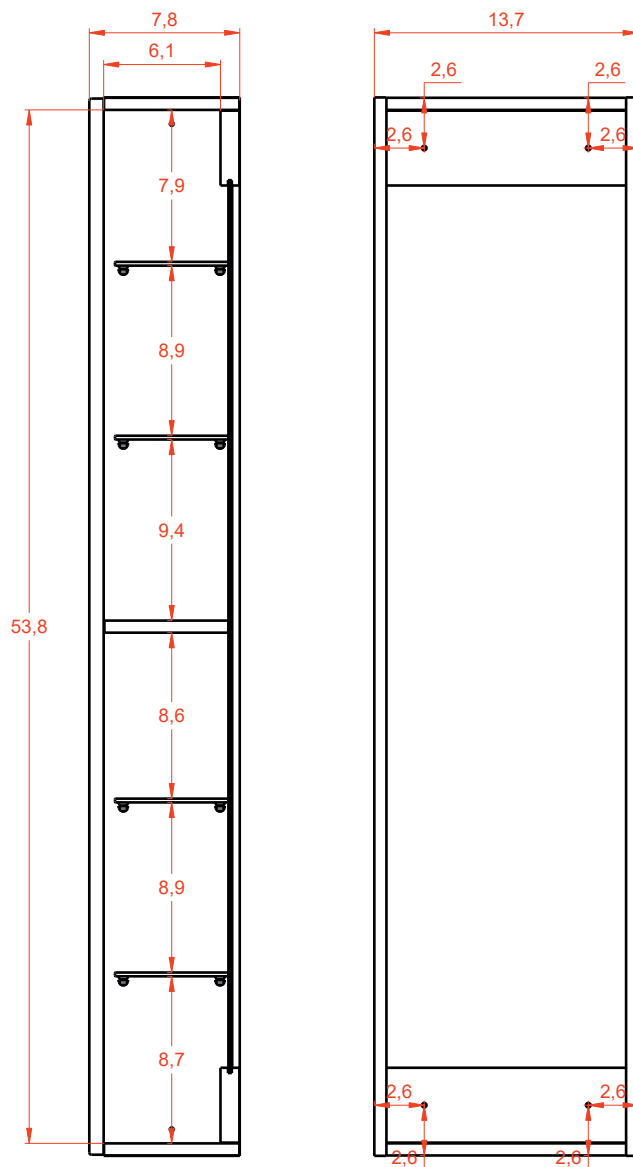
Includes installation hardware

Micro-Density Fiberboard (MDF) construction

Side view



Back view





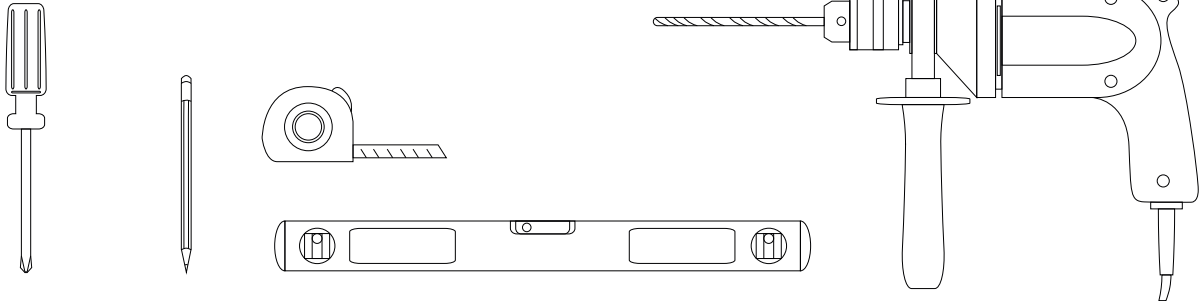
HIGH CUPBOARD

Series

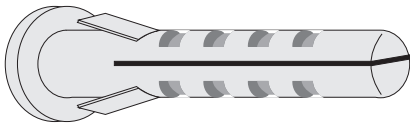
Installation notes:

Install this product according to the installation guide.
Choose fitting hardware according to wall material.

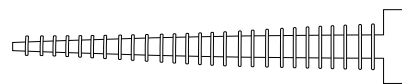
Installation tools not included:



Parts supplied:



X4



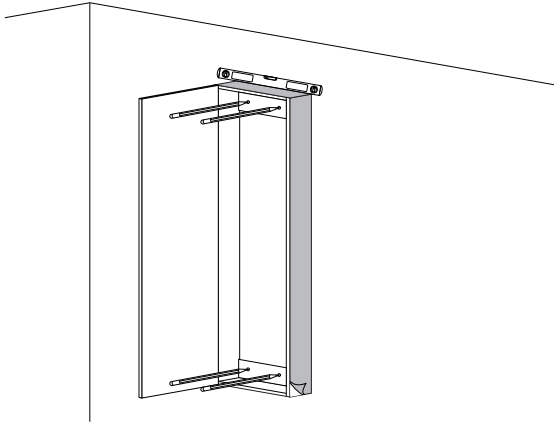
X4



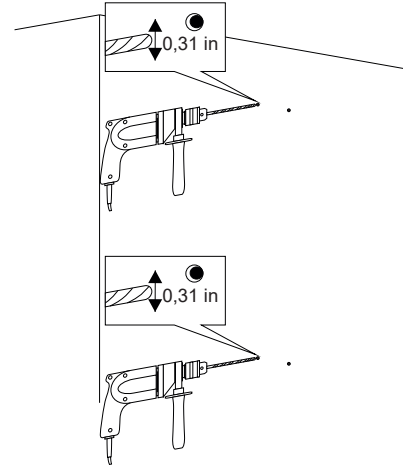
HIGH CUPBOARD

Series

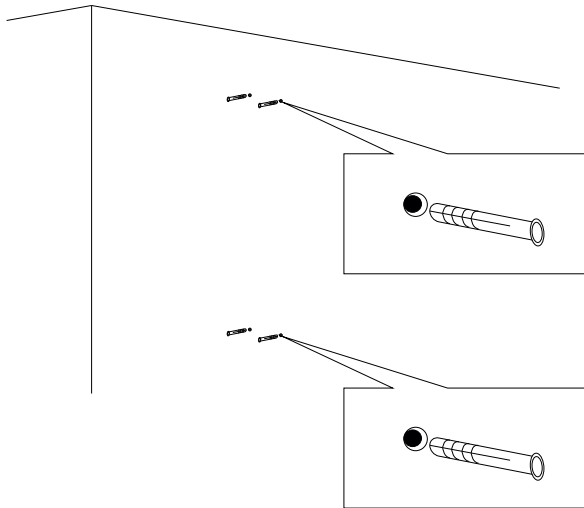
1



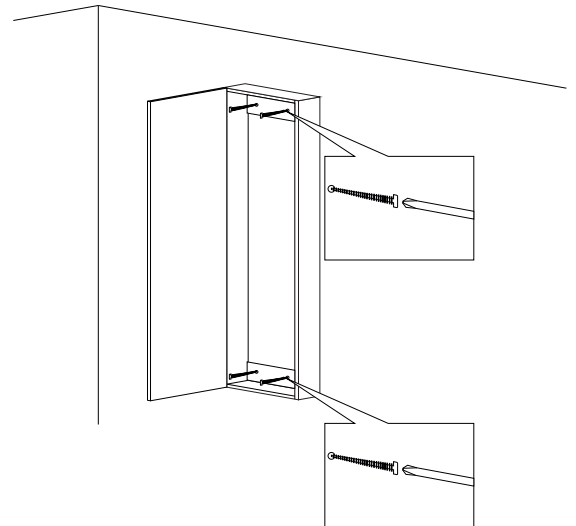
2



3



4



LUXURY ITALIAN

FURNITURE

It's all about the experience



BADEN HAUS S.p.A.
SINCE 1979
www.badenhaus.it

HIGH CUPBOARD

Series - Art. 53106/53118/53099/44916
53131/53132/53126/53117/53109/53108
44848/44845

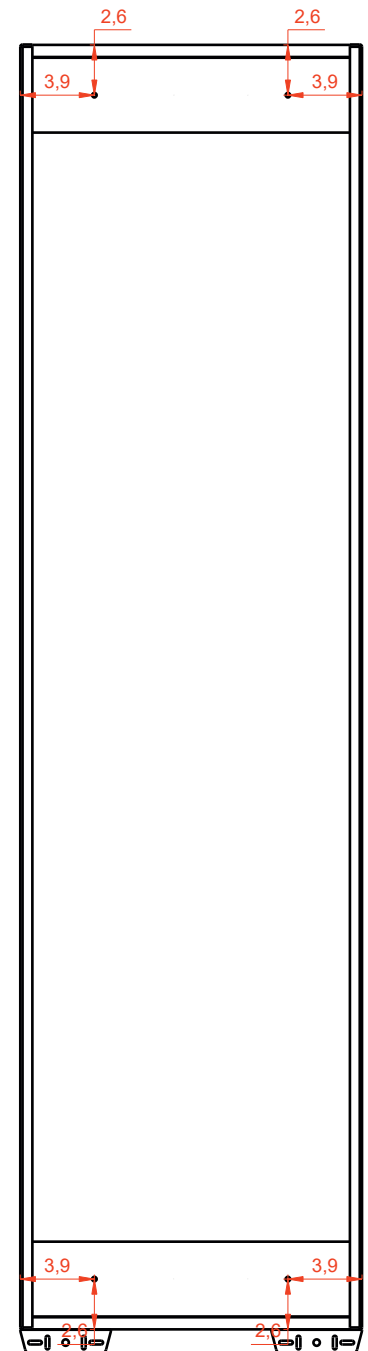
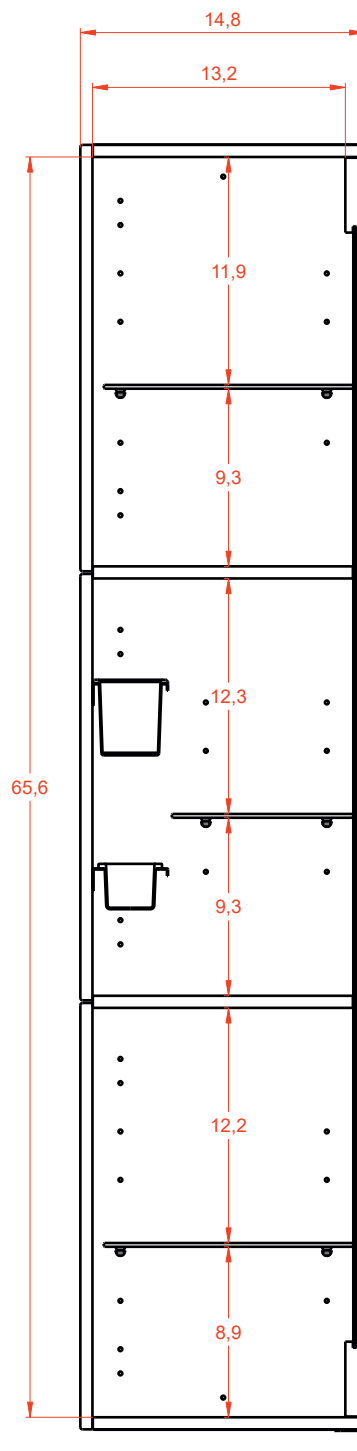
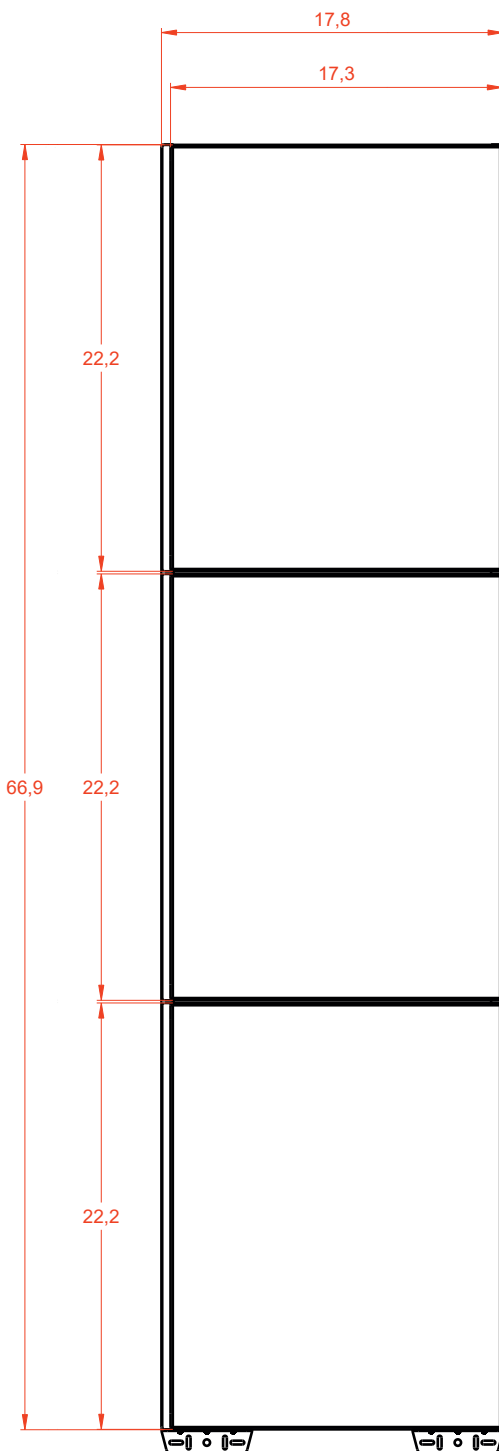
Features:

Includes installation hardware

Micro-Density Fiberboard (MDF) construction

Side view

Back view





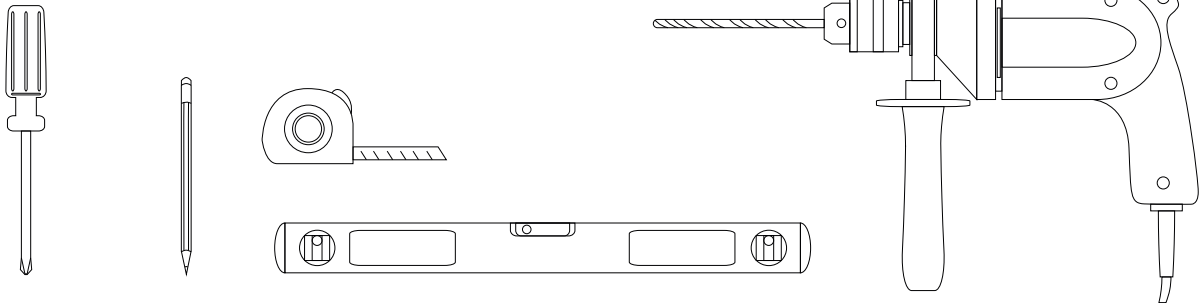
HIGH CUPBOARD

Series

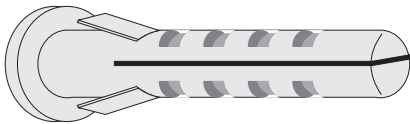
Installation notes:

Install this product according to the installation guide.
Choose fitting hardware according to wall material.

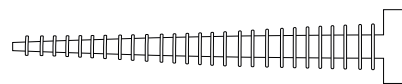
Installation tools not included:



Parts supplied:



X4



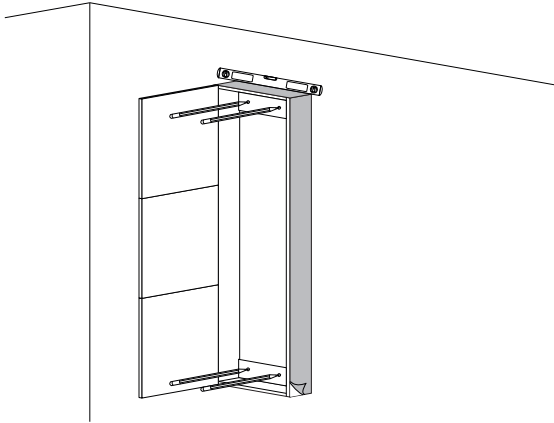
X4



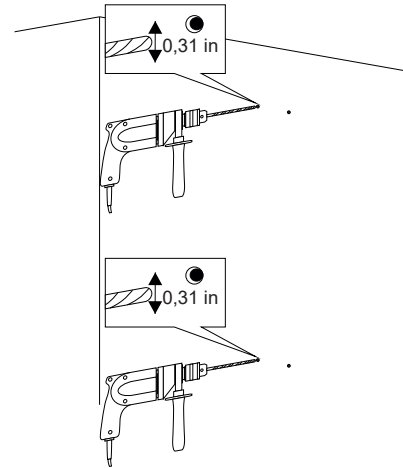
HIGH CUPBOARD

Series

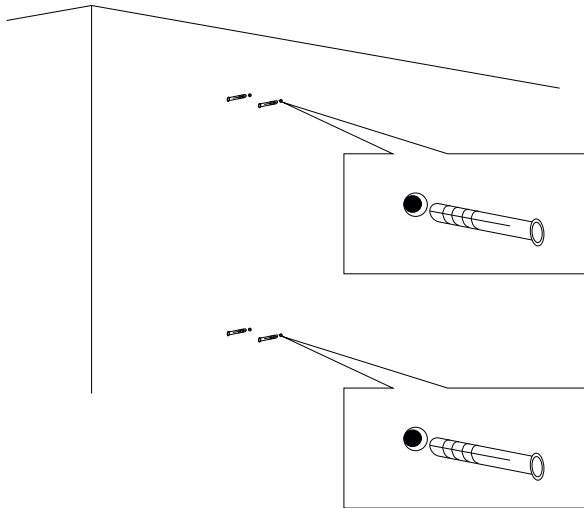
1



2



3



4

