

It's all  
about the  
experience



BADEN HAUS S.p.A.  
SINCE 1979  
www.badenhaus.it

# GLASS

## Series

### Features:

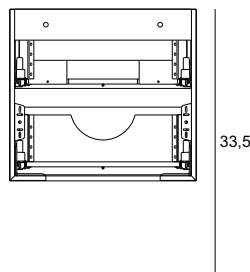
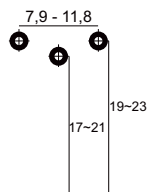
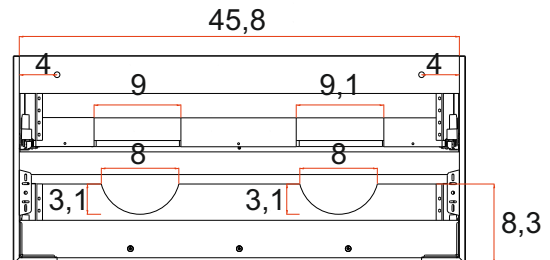
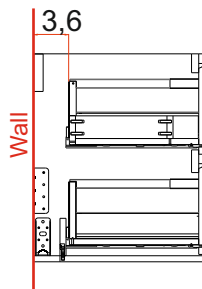
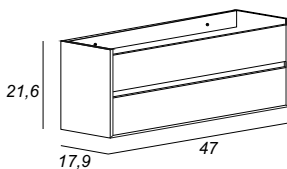
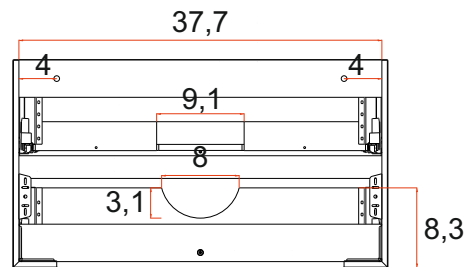
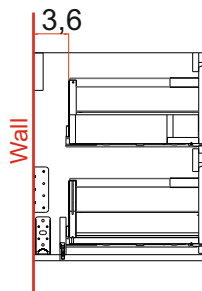
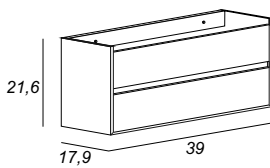
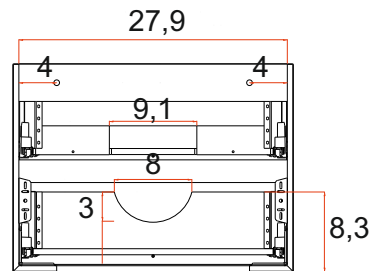
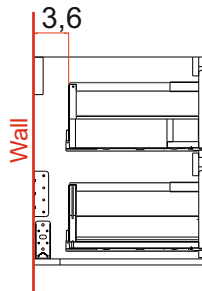
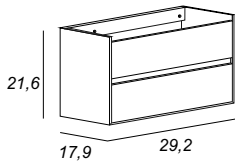
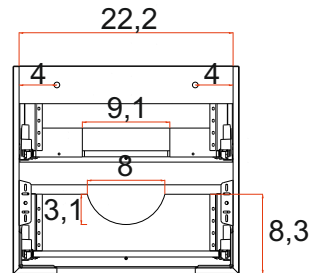
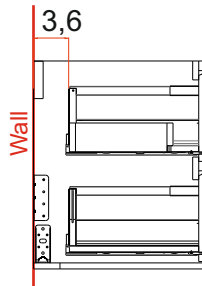
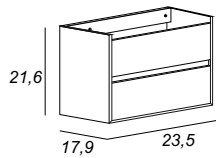
- Includes fully adjustable drawer sliders
- Fully finished interiors
- Includes installation hardware
- Medium-Density Fiberboard (MDF) construction
- PVC finish resists moisture and scratches

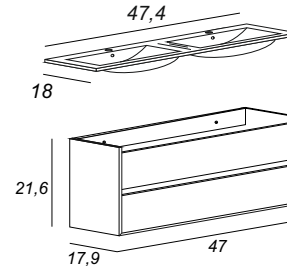
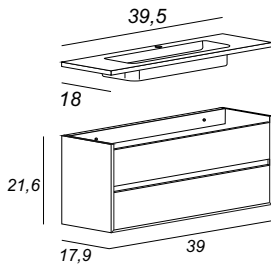
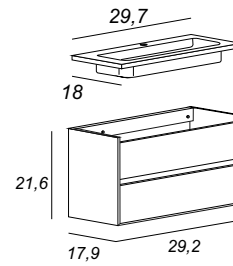
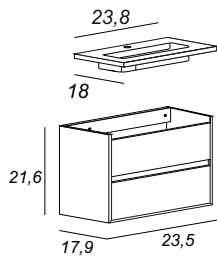
### Notes:

All sizes of vanities are subject to tolerance,  
+/- 0.40 inches

Side view for plumbing

Back view for plumbing





**Basins available:**  
 - ceramic  
 - resin

## FURNITURE CHARACTERISTIC



Cabinet in MDF, sides and drawers thickness 0,62in, coated in PVC 0,01in waterproof and scratchproof that guarantee long life and reliability.  
 Cabinet with dividers in the upper drawer. Opening type constituted by a milling throat.



Soft closing hinges guaranteed for 100,000 cycles. Soft closing slides guaranteed for 60,000 cycles. Hinges and slides used in furniture and complementary allow the adjustment in 3 different positions.



Resin washbasin thickness 0,98in impact resistant.  
 Ceramic washbasin thickness 0,70in and resistant to high temperature and impacts.



It is not necessary to assemble the cabinet (product not in kit).

## MIRRORS



Mirror lighting full-led, guarantee an energy saving of a 80/90% compared to a classic lighting incandescent or halogen and life of about 3/5 times higher.



The LED lighting can exceed 50.000 hours of activities, reducing the costs of maintenance. Not produce heat and withstand the high temperatures.  
 IP44 ☐ CE



Unlike normal halogen lamps, do not contain mercury and do not emit harmful UV rays for the health.

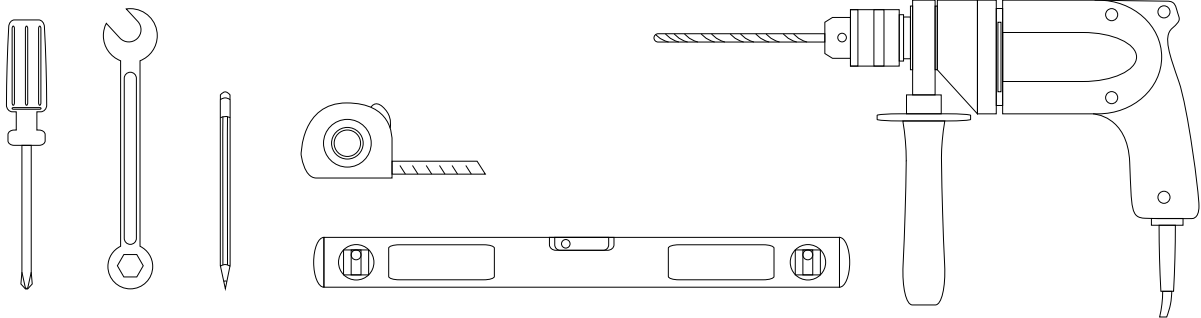
**Installation notes:**

Install this product according to the installation guide  
 Special site preparation is required.

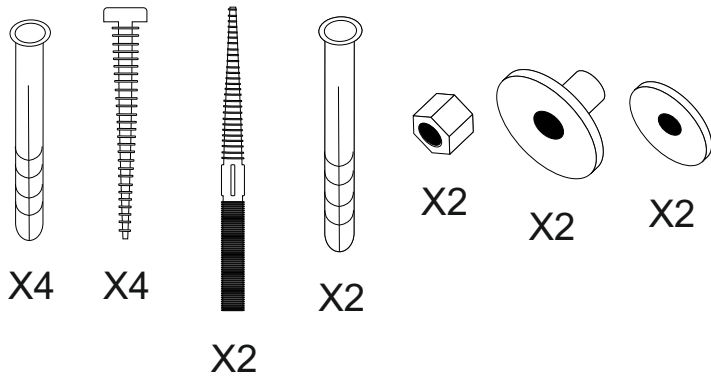
Wall bracing and Baden Haus supplied hardware are recommended.

The plumbing must be roughed into the plumbing cutout area of the vanity.

Refer to the sink rough-in and the vanity rough-in for proper placement. The water supply and drain lines must be installed before installing the vanity.

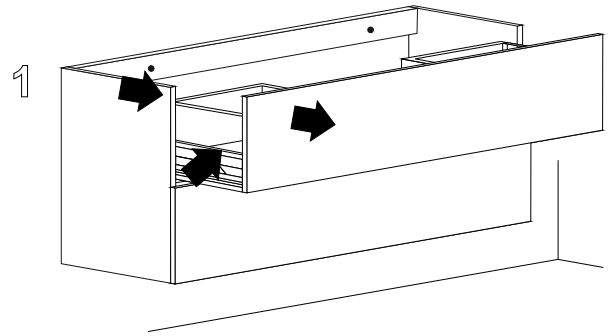
**Installation tools not included:**

**Materials Included:**

- 4 short nylon rawlplug
- 4 short screws
- 2 long nylon rawlplug
- 2 acorn nut
- 2 nylon washer
- 2 metal washer

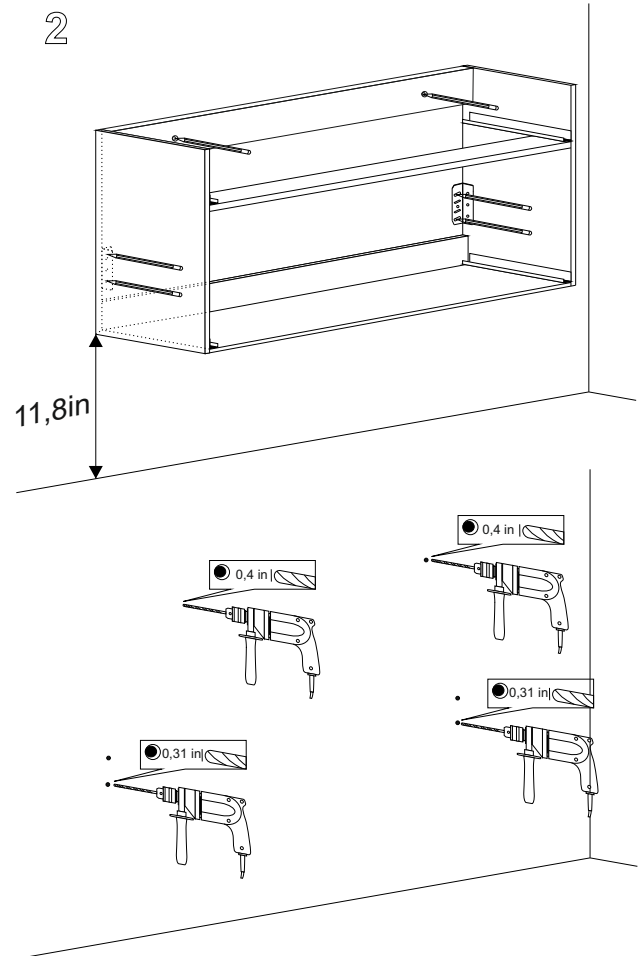


**Step 1**

Pull out completely the drawers and take off from the slide rails.


**Step 2**

Determine the ideal location of your new vanity. Mark the holes and drill pilot holes in the wall.


**Step 3**

Place the vanity frame on the finished wall and install at the locations drilled with the screws shown in Figure 3:

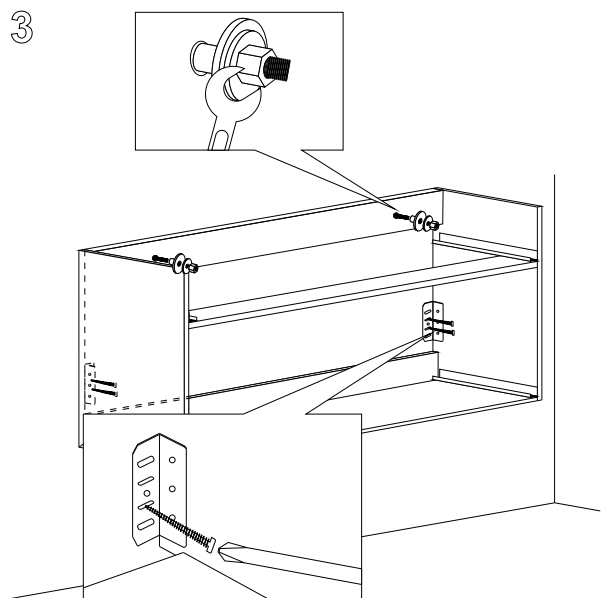
The long nylon raw for the long screw with nylon washer and metal washer and fix with acorn nut.

The short nylon raw for the short screw.

Fully extend the slide rails out.

Place the drawer into the slide rails.

To secure drawer, close the drawer until a series of clicks are heard.



**Installation notes:**

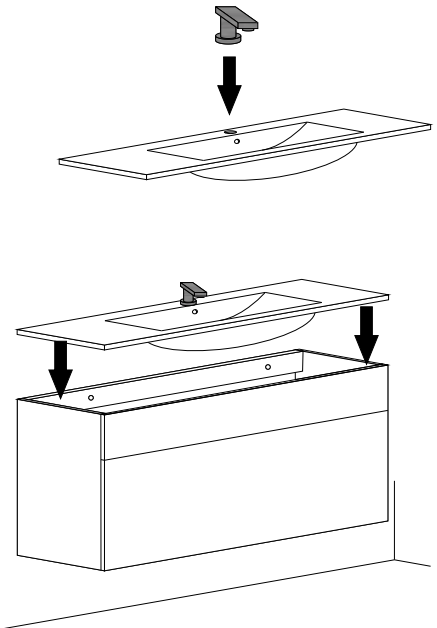
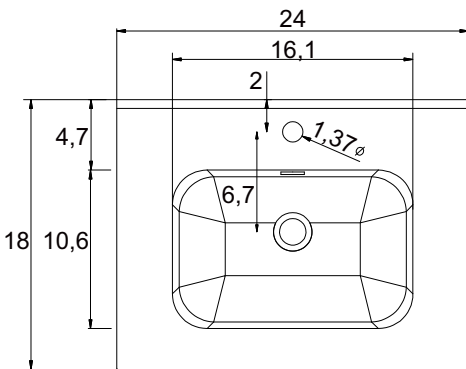
Faucet and silicone are not included.  
 All sizes of sinks are subject to tolerance:  
 +/- 0.40 inches (ceramic) and +/- 0.20  
 inches (glass and resin)

**Sink assembly**

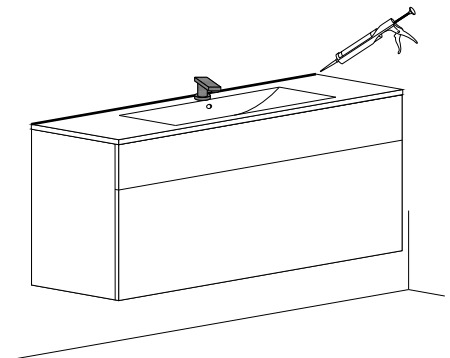
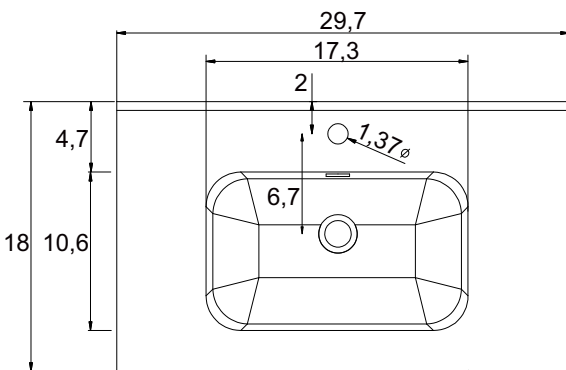
Install the faucet to the top and drains to the sink. Refer to the faucet and drain manufacturer's instructions.  
 Complete the faucet connections. Run water and check for leaks.  
 Apply a bead of silicone behind the top surface to the finished wall.

**CERAMIC BASIN ART. 50202**

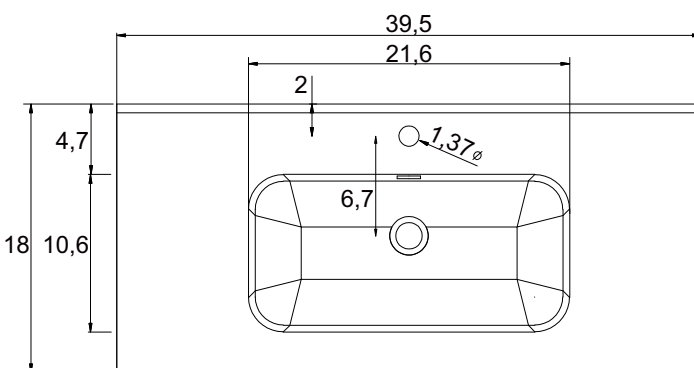
Top view of sink


**CERAMIC BASIN ART. 50201**

Top view of sink


**CERAMIC BASIN ART. 50200**

Top view of sink



**Installation notes:**

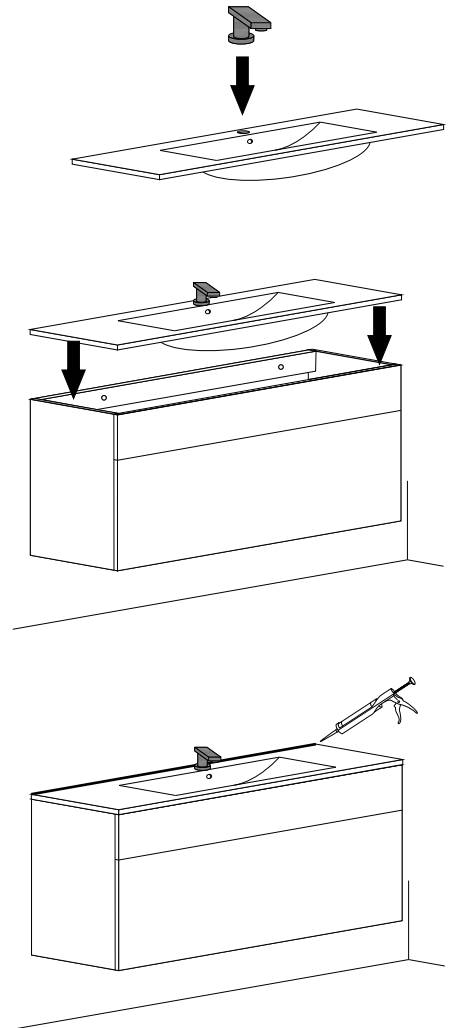
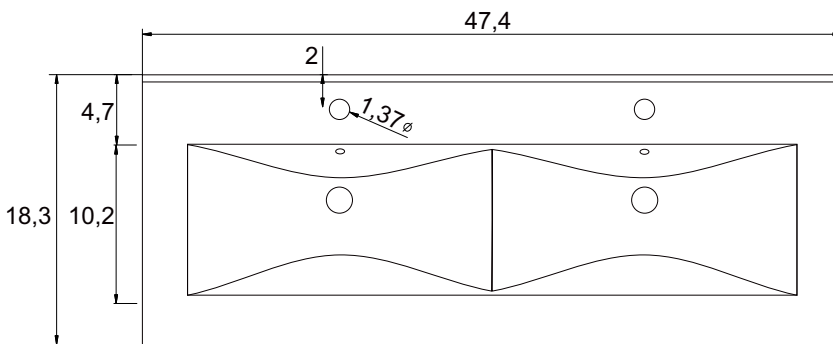
Faucet and silicone are not included.  
 All sizes of sinks are subject to tolerance:  
 +/- 0.40 inches (ceramic) and +/- 0.20  
 inches (glass and resin)

**Sink assembly**

Install the faucet to the top and drains to the sink. Refer to the faucet and drain manufacturer's instructions.  
 Complete the faucet connections. Run water and check for leaks.  
 Apply a bead of silicone behind the top surface to the finished wall.

**CERAMIC BASIN ART. 50135**

Top view of sink



**Installation notes:**

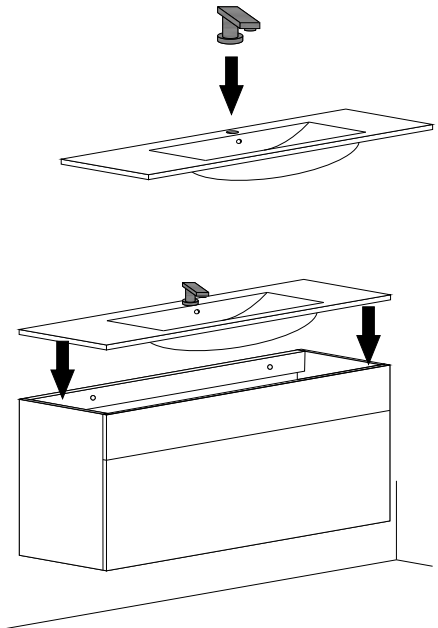
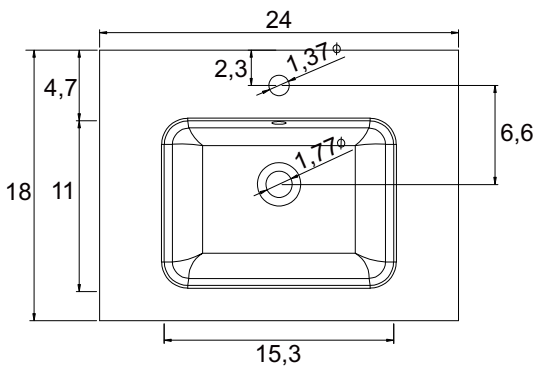
Faucet and silicone are not included.  
 All sizes of sinks are subject to tolerance:  
 +/- 0.40 inches (ceramic) and +/- 0.20 inches (glass and resin)

**Sink assembly**

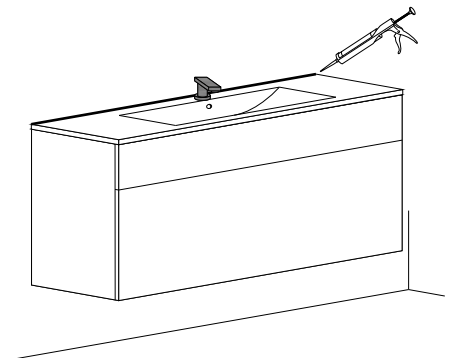
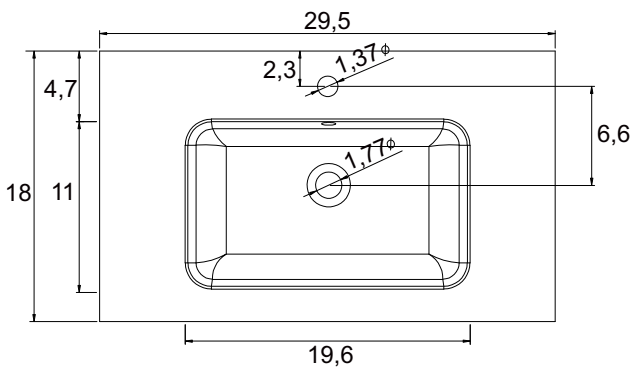
Install the faucet to the top and drains to the sink. Refer to the faucet and drain manufacturer's instructions. Complete the faucet connections. Run water and check for leaks. Apply a bead of silicone behind the top surface to the finished wall.

**RESIN BASIN ART. 50203**

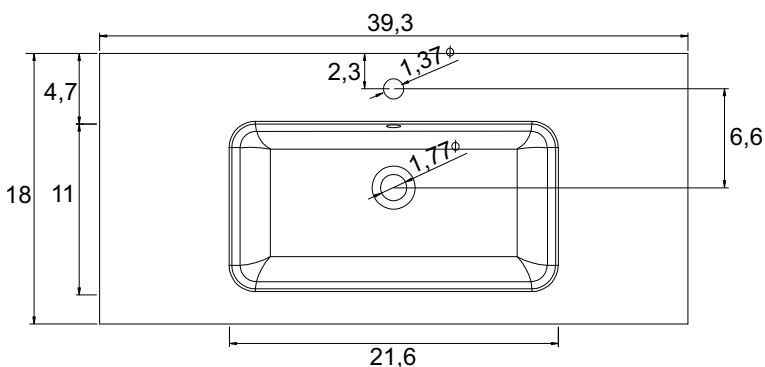
Top view of sink


**RESIN BASIN ART. 50169**

Top view of sink


**RESIN BASIN ART. 50170**

Top view of sink



**Installation notes:**

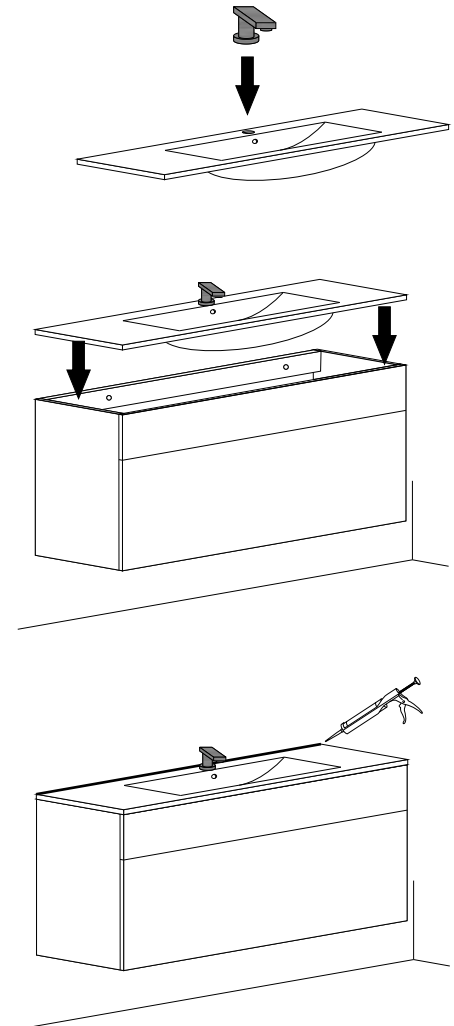
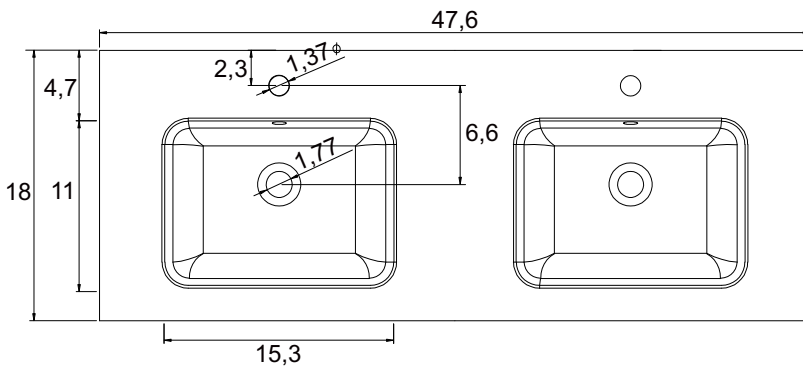
Faucet and silicone are not included.  
 All sizes of sinks are subject to tolerance:  
 +/- 0.40 inches (ceramic) and +/- 0.20  
 inches (glass and resin)

**Sink assembly**

Install the faucet to the top and drains to the sink. Refer to the faucet and drain manufacturer's instructions.  
 Complete the faucet connections. Run water and check for leaks.  
 Apply a bead of silicone behind the top surface to the finished wall.

**RESIN BASIN ART. 50211**

Top view of sink





LUXURY ITALIAN

FURNITURE

It's all about the experience



BADEN HAUS S.p.A.  
SINCE 1979  
www.badenhaus.it

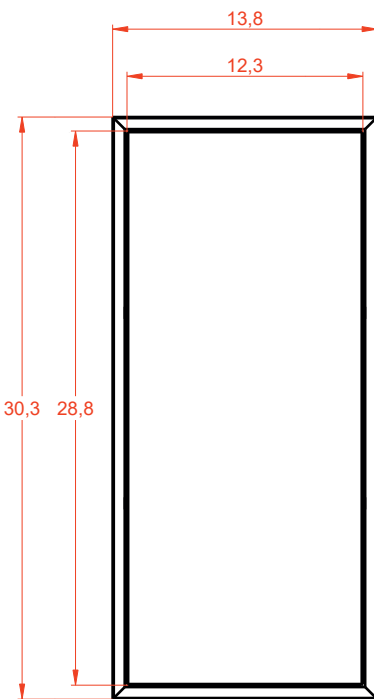
# SINGLE BASE UNIT

Series Glass - Art. 41815/41816/41817/41818  
41819/41820/41858/41859/41861/41857/41860  
41862

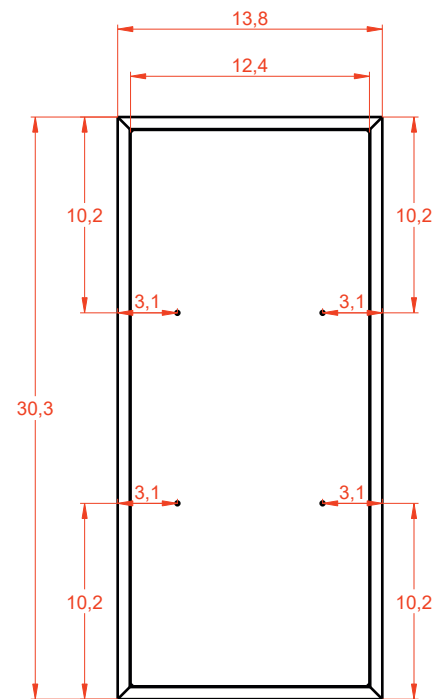
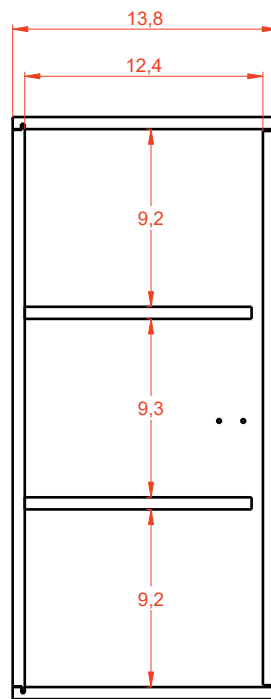
## Features:

- Includes adjustable support
- Fully finished backboard
- Includes installation hardware
- Micro-Density Fiberboard (MDF) construction

Side view



Back view





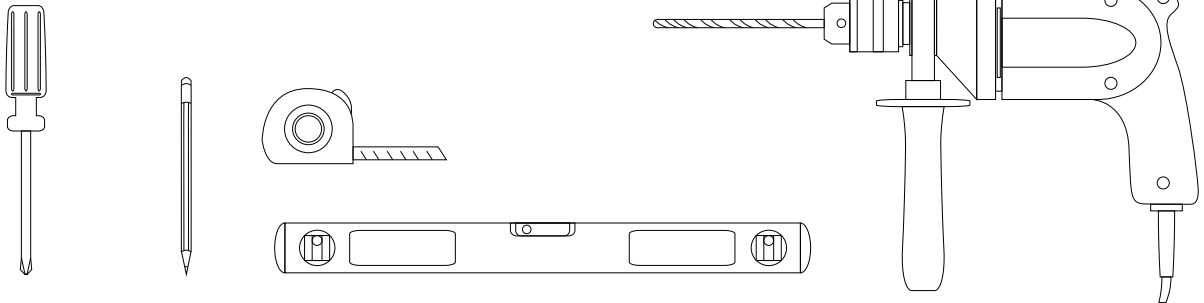
# HIGH CUPBOARD

Series Glass

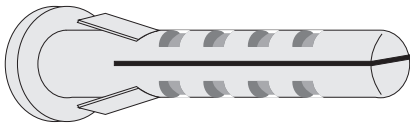
**Installation notes:**

Install this product according to the installation guide  
Wall bracing and Baden Haus supplied hardware are recommended.

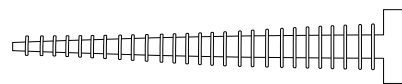
**Installation tools not included:**



**Parts supplied:**



**X4**



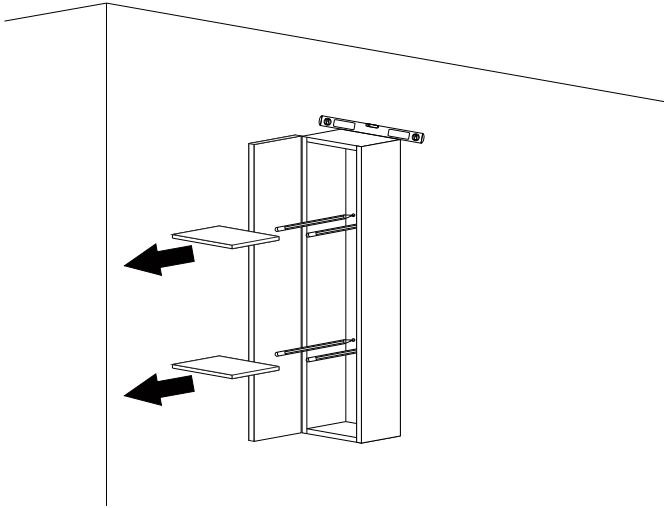
**X4**



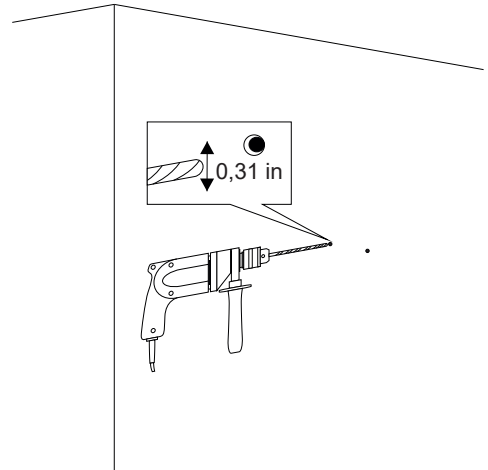
# SINGLE BASE UNIT

Series Glass

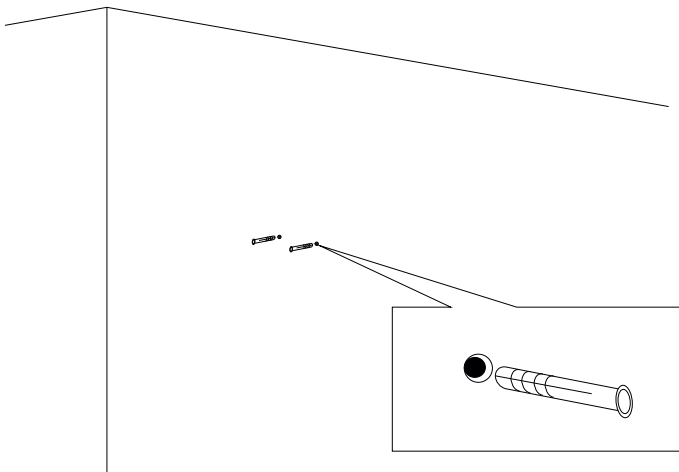
1



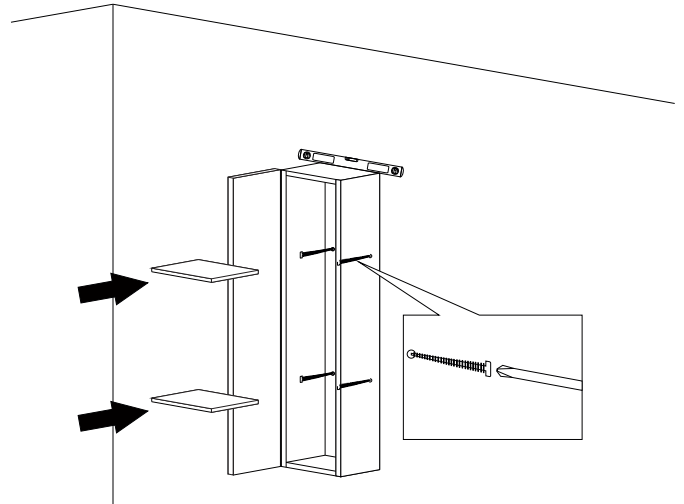
2



3



4



LUXURY ITALIAN  
FURNITURE

It's all  
about the  
experience



BADEN HAUS S.p.A.  
SINCE 1979  
www.badenhaus.it

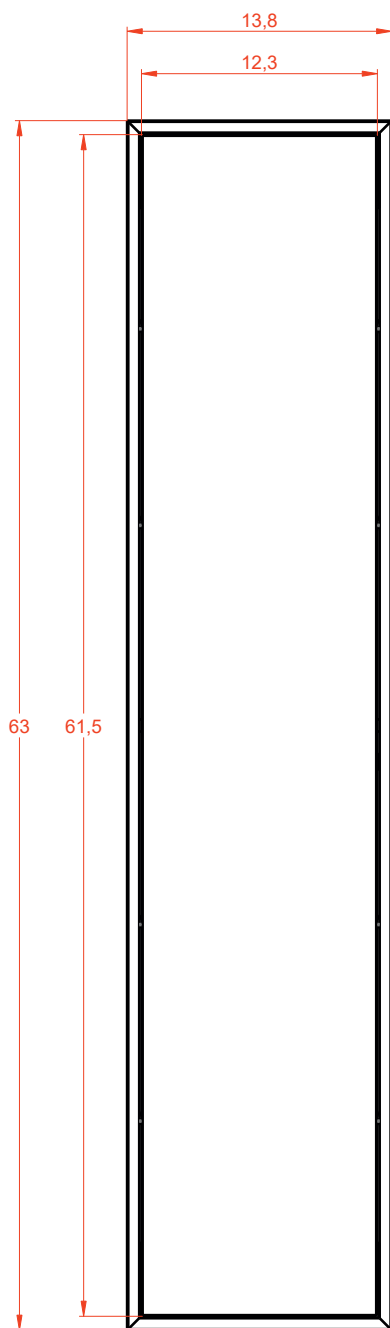
# HIGH CUPBOARD

Series Glass - Art. 41827/41828/41829  
41830/41831/41832/41870/41871/41873  
41869/41872/41874

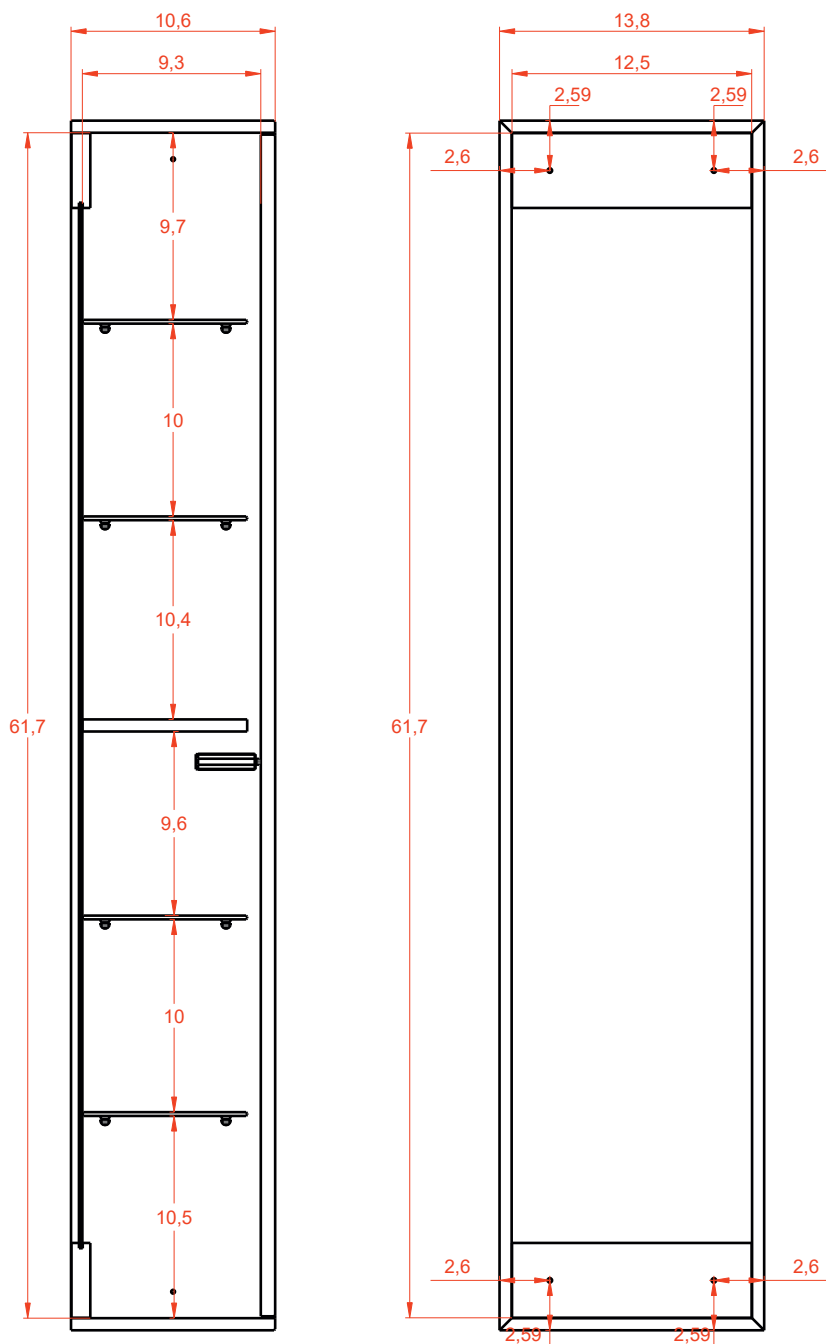
## Features:

- Includes adjustable support
- Fully finished backboard
- Includes installation hardware
- Micro-Density Fiberboard (MDF) construction

Side view



Back view





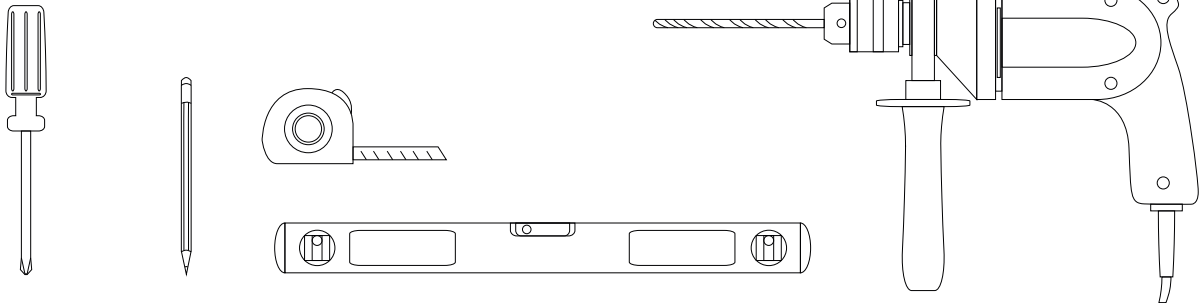
# HIGH CUPBOARD

Series Glass

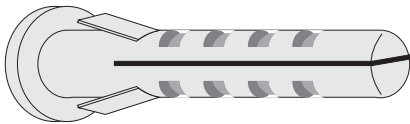
**Installation notes:**

Install this product according to the installation guide  
Wall bracing and Baden Haus supplied hardware are recommended.

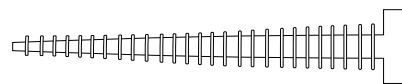
**Installation tools not included:**



**Parts supplied:**



**X4**



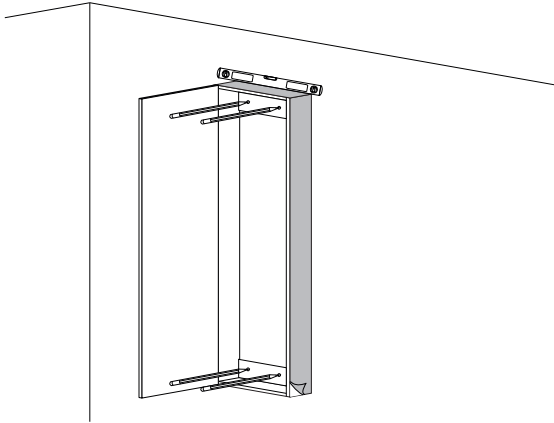
**X4**



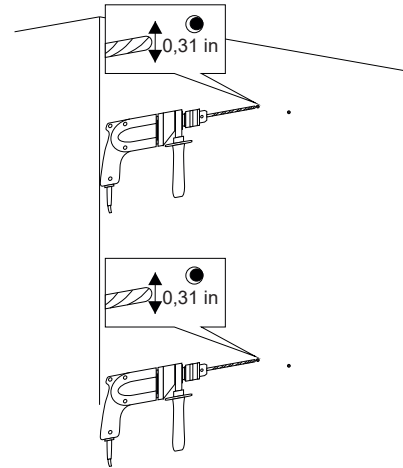
# HIGH CUPBOARD

Series Glass

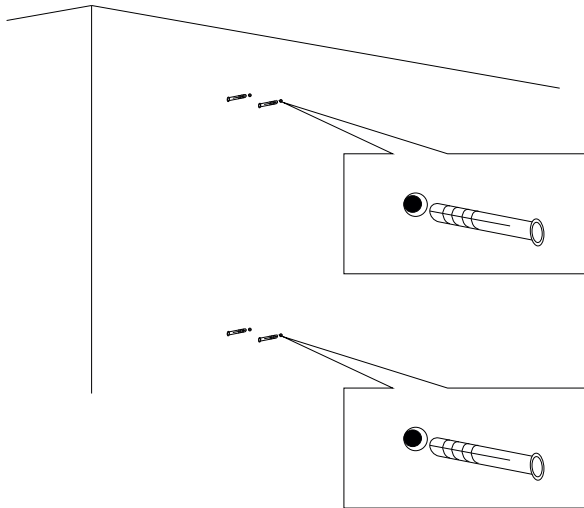
1



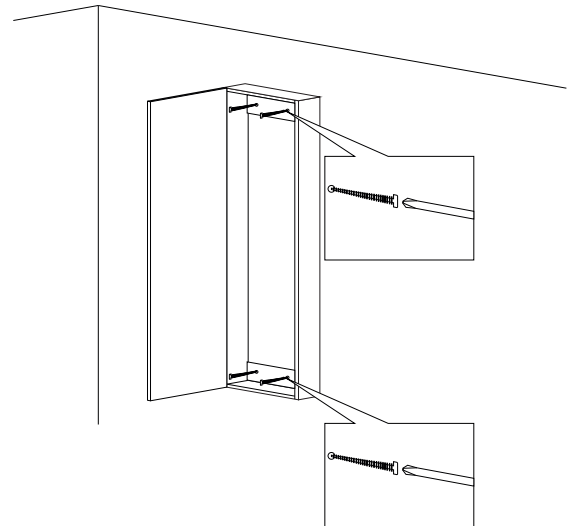
2



3



4



LUXURY ITALIAN

FURNITURE

It's all about the experience



BADEN HAUS S.p.A.  
SINCE 1979  
www.badenhaus.it

# HANGING CABINET

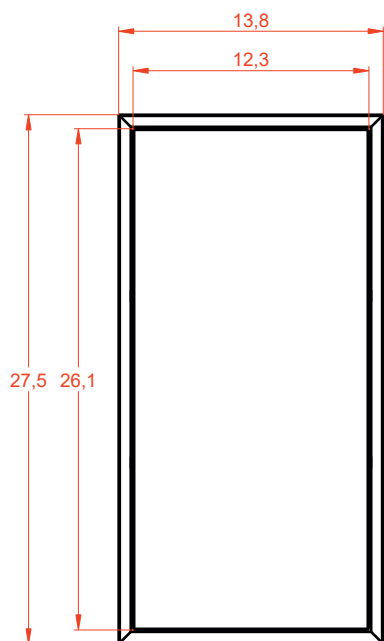
Series Glass - Art. 41821/41822/41823/41824  
41825/41826/41864/41865/41867/41863/41866  
41868

## Features:

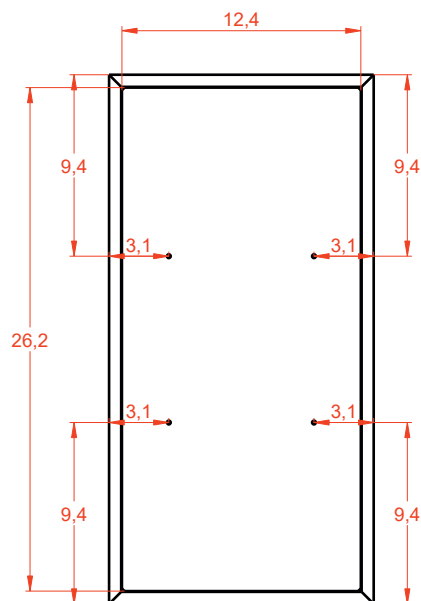
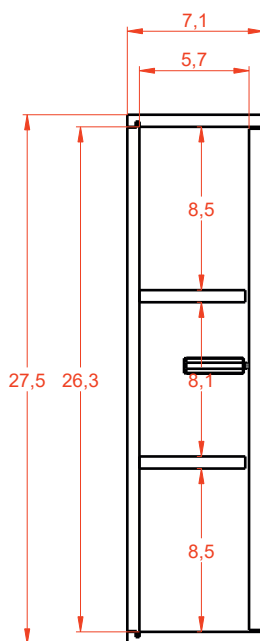
Includes installation hardware

Micro-Density Fiberboard (MDF) construction

Side view



Back view





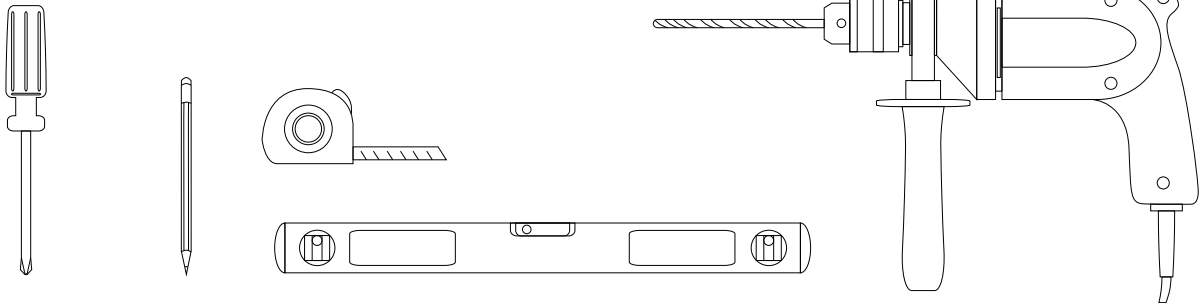
# HANGING CABINET

Series Glass

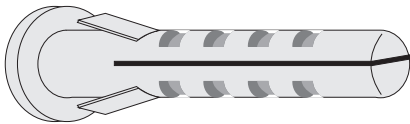
**Installation notes:**

Install this product according to the installation guide.  
Choose fitting hardware according to wall material.

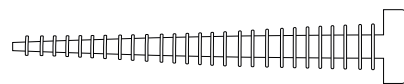
**Installation tools not included:**



**Parts supplied:**



**X4**



**X4**

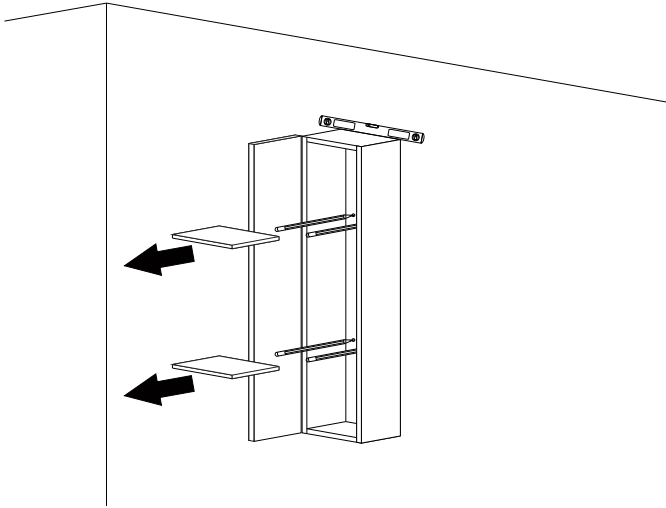




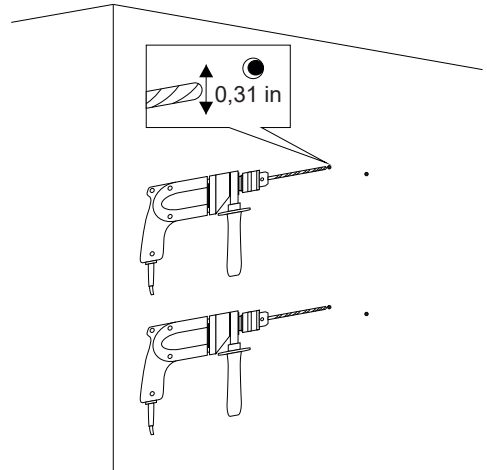
# HANGING CABINET

Series Glass

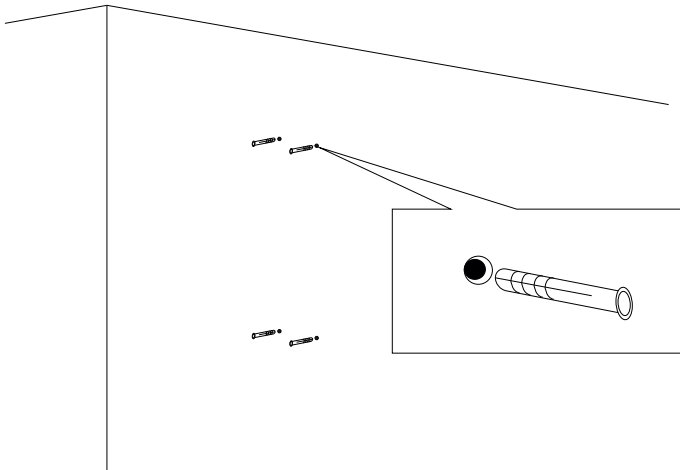
1



2



3



4

