

It's all
about the
experience



BADEN HAUS S.p.A.
SINCE 1979
www.badenhaus.it

RETRO

Series

Features:

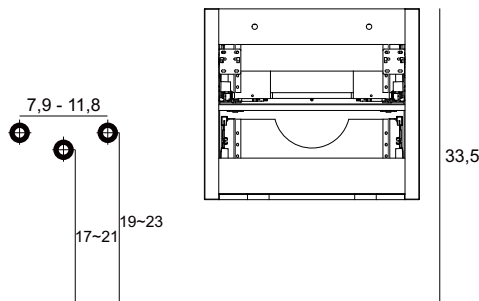
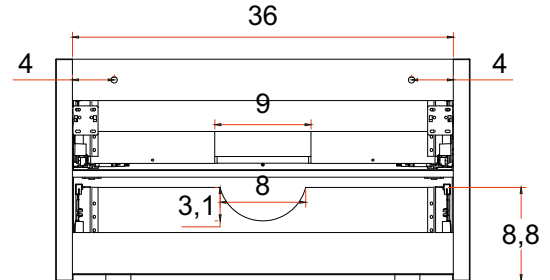
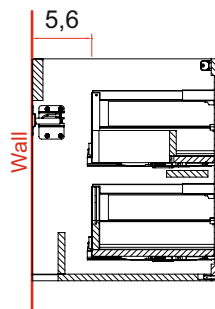
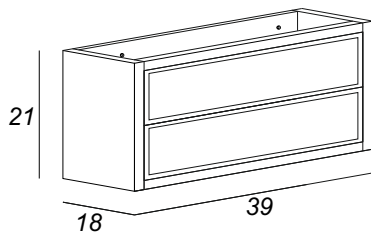
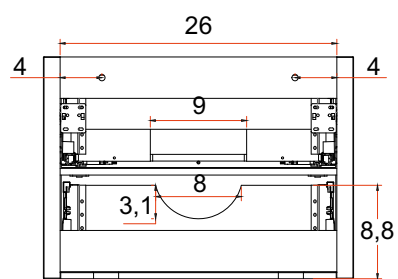
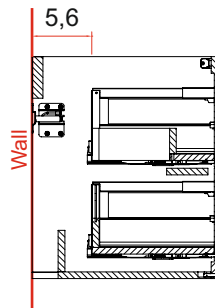
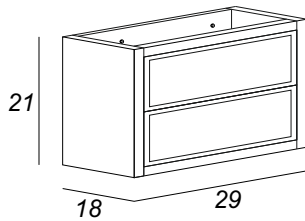
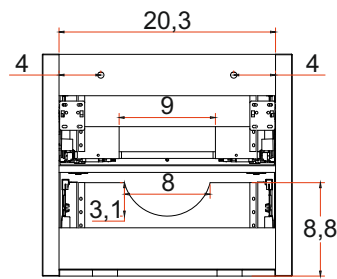
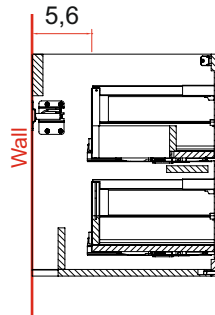
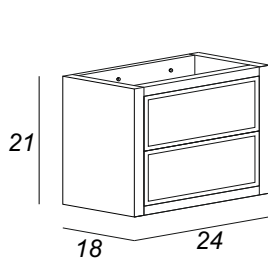
- Drawers push-open and soft-close
- Handleless ergonomic continuous drawer
- Includes fully adjustable drawer sliders
- Fully finished interiors
- Includes installation hardware
- Medium-Density Fiberboard (MDF) construction
- PVC finish resists moisture and scratches

Notes:

All sizes of vanities are subject to tolerance,
+/- 0.40 inches

Side view for plumbing

Back view for plumbing



Features:

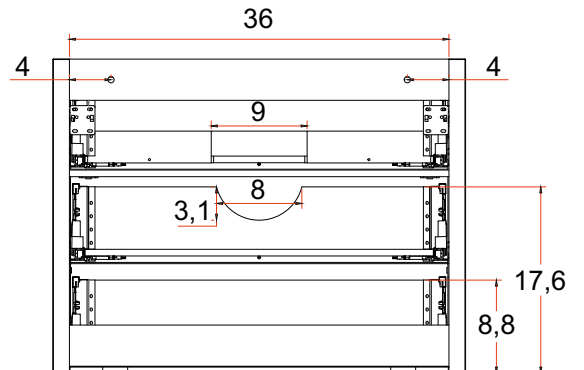
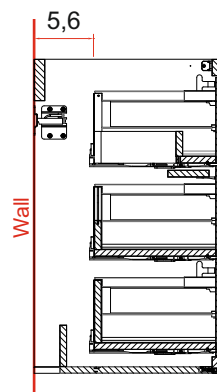
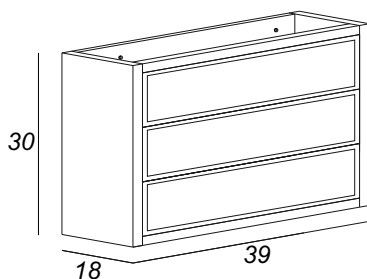
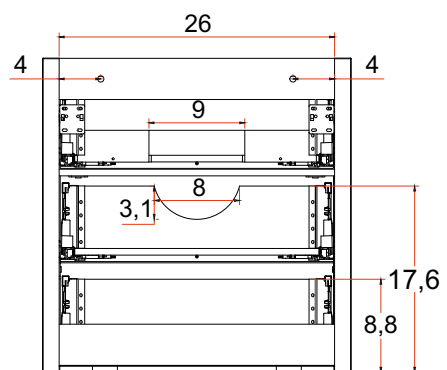
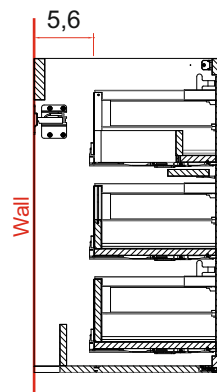
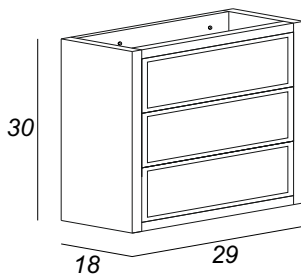
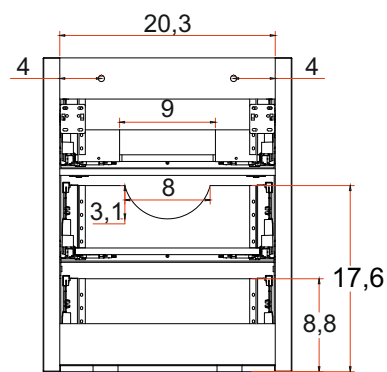
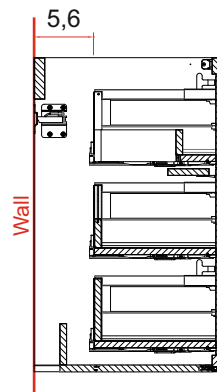
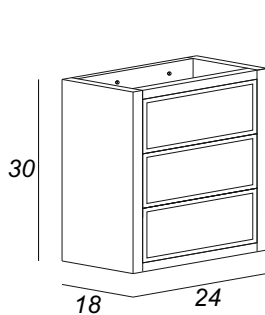
- Drawers push-open and soft-close
- Handleless ergonomic continuous drawer
- Includes fully adjustable drawer sliders
- Fully finished interiors
- Includes installation hardware
- Medium-Density Fiberboard (MDF) construction
- PVC finish resists moisture and scratches

Notes:

All sizes of vanities are subject to tolerance, +/- 0.40 inches

Side view for plumbing

Back view for plumbing



Features:

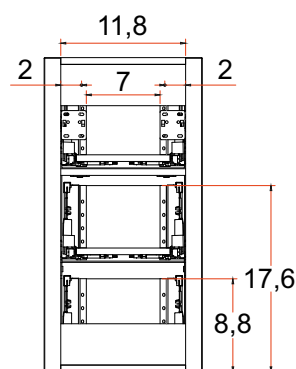
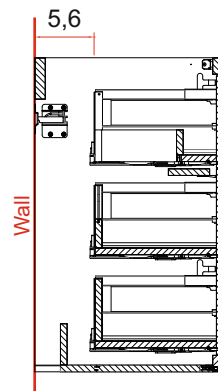
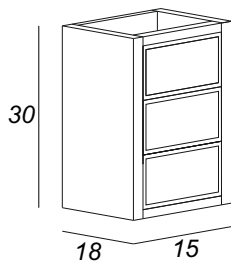
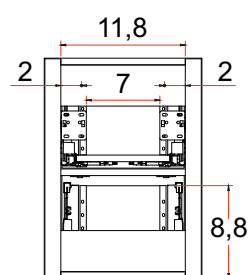
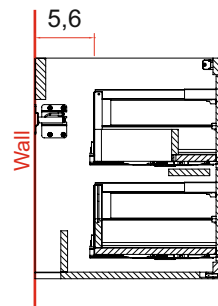
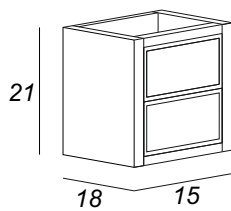
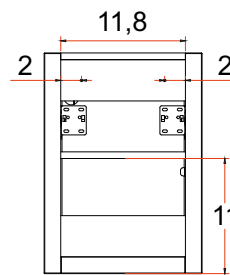
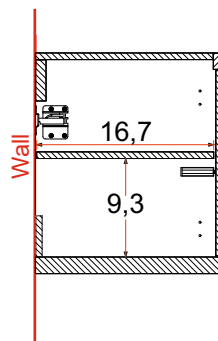
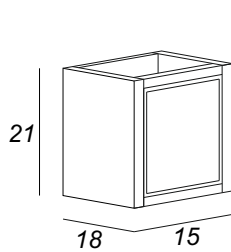
- Drawers push-open and soft-close
- Handleless ergonomic continuous drawer
- Includes fully adjustable drawer sliders
- Fully finished interiors
- Includes installation hardware
- Medium-Density Fiberboard (MDF) construction
- PVC finish resists moisture and scratches

Notes:

All sizes of vanities are subject to tolerance, +/- 0.40 inches

Side view for plumbing

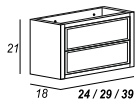
Back view for plumbing



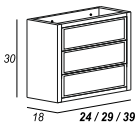
Follow the above instructions to create the perfect bathroom furniture for your needs:

1 Select the white matt or black matt finishing for base unit.

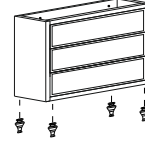
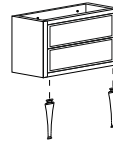
2 drawers base unit



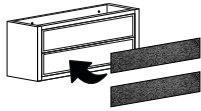
3 drawers base unit



2 Decide if add hardwood feet.



3 Match it with the following glass finishings for frontal drawers.



4 Choose among several washbasins.

Ceramic basins

24 / 30 / 40



Resin sinks

24 / 30 / 40

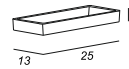


Solid surface top

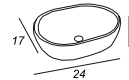
24 / 30 / 40



combined with:



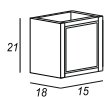
Solid surface sink



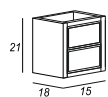
Ceramic white glossy basin

5 Decide if add single base units.

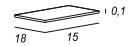
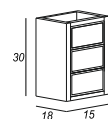
1 door single base unit



2 drawers single base unit

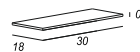


3 drawers single base unit



glass top
with white, black, gold lame, gotham city
and paisley tie finishings

combined with:



glass top
with white, black, gold lame, gotham city
and paisley tie finishings

FURNITURE CHARACTERISTIC



Cabinet in MDF, sides thickness 1,57in and drawers thickness 0,63in, entirely painted with micro-structural polyurethane paint. Furniture is made of buildable units and comes with 2 or 3 drawers, with option of hardwood feet. Inner finish textile effect with dividers to optimize all spaces.



Blum push slides guaranteed for 60.000 cycles and allow the adjustment in 2 different positions. Slides used in furnitures allow push opening and soft closing with synchronizer. Slides sides with frosted glass sheet. Hinges used in complementary allow the adjustment in 3 different positions.



Resin sinks with 0,98in thickness are high temperature and impact resistant. Also ceramic basin with 0,7in thickness are high temperature and impact resistant. Solid surface white mat tops with 0,47in thickness are impact resistant and can be combined with white glossy ceramic basin or solid surface sinks. Tops are not perforated so it is possible to have washbasin and faucet in any positions: center, right, left or wall position.



It is not necessary to assemble the cabinet (product not in kit).

MIRRORS



Mirror lighting full-led guarantee an energy saving of a 80/90% compared to a classic incandescent or halogen lighting and life of about 3/5 times higher.



The LED lighting can exceed 50.000 hours of activities, reducing costs of maintenance. Not produce heat and withstand the high temperatures.



Unlike normal halogen lamps do not contain mercury and do not emit harmful UV rays for the health.

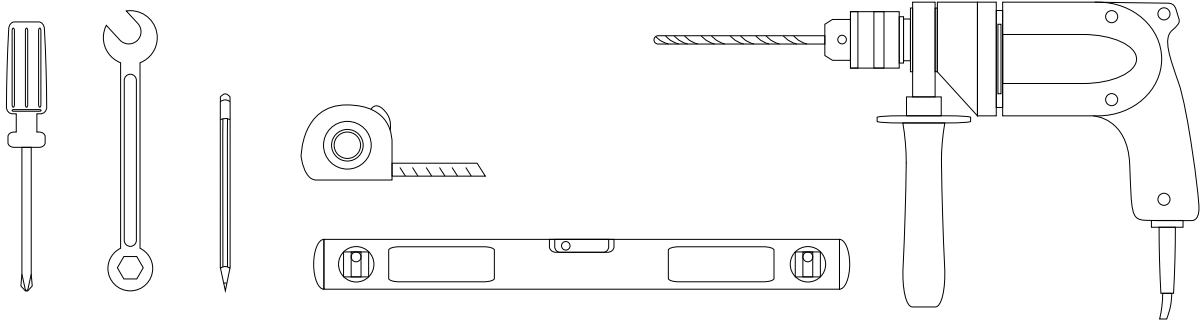
Installation notes:

Install this product according to the installation guide. Special site preparation is required.

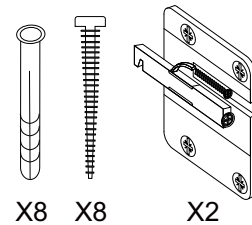
Wall bracing and Baden Haus supplied hardware are recommended.

The plumbing must be roughed into the plumbing cutout area of the vanity.

Refer to the sink rough-in and the vanity rough-in for proper placement. The water supply and drain lines must be installed before installing the vanity.

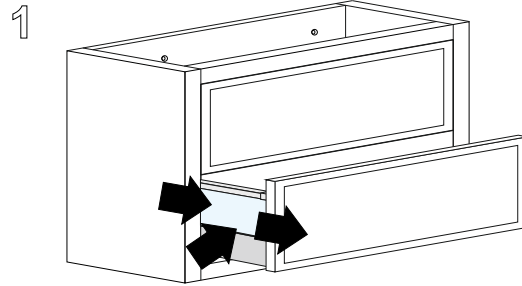
Installation tools not included:**Materials Included:**

8 nylon rawlplug
8 screws
2 wall plate

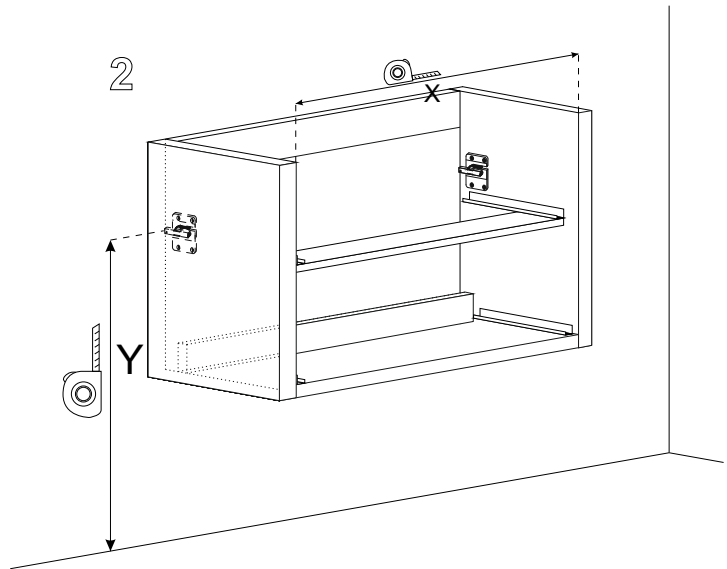


Step 1

Pull out completely the drawers and take off from the slide rails.


Step 2

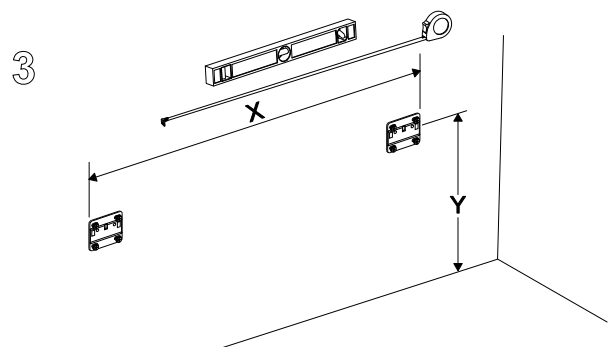
Determine the ideal location of your new vanity. Mark the holes and drill pilot holes in the dry wall.


Step 3

Place the wall brackets on the finished wall and install at the locations drilled with the screws as shown here.

According to measures taken on step 2, make drills with diameter 0,3in. For each wall plate must be made 4 holes. Then insert nylon rawlplug for each drill.

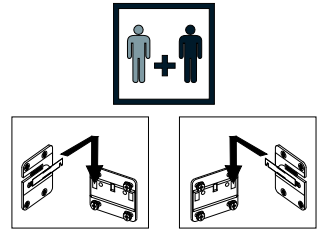
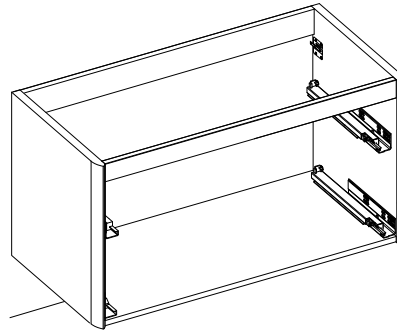
Fix wall plate to wall using screws. After that plates are strongly fixed on wall, you can install vanity on wall.



Step 4

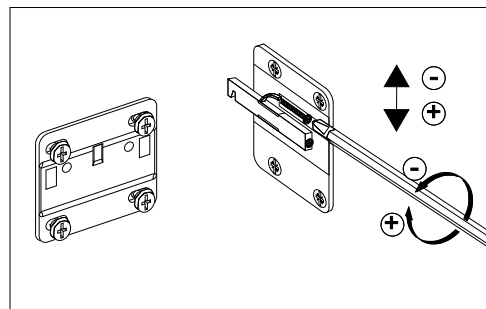
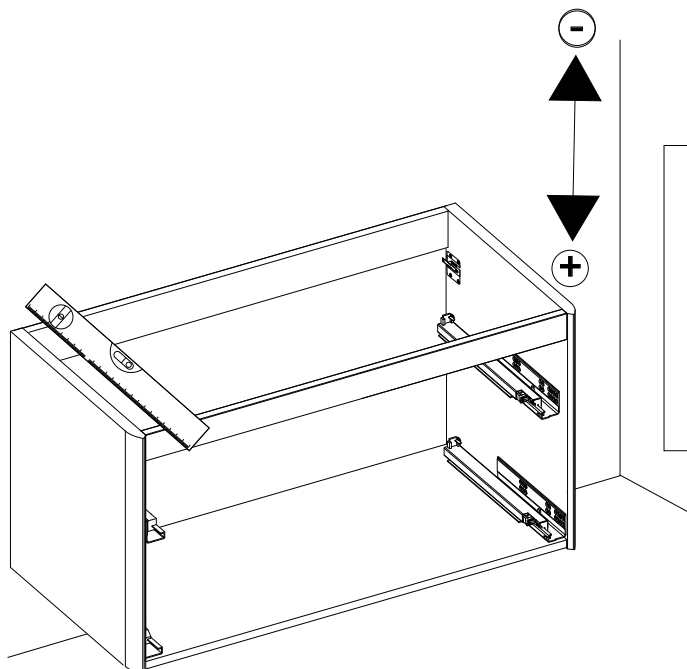
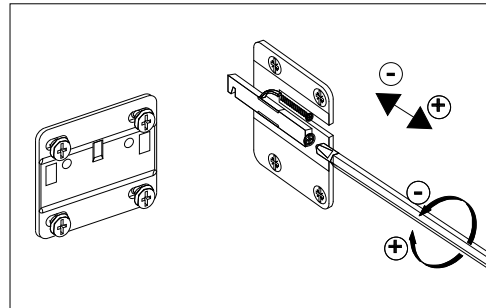
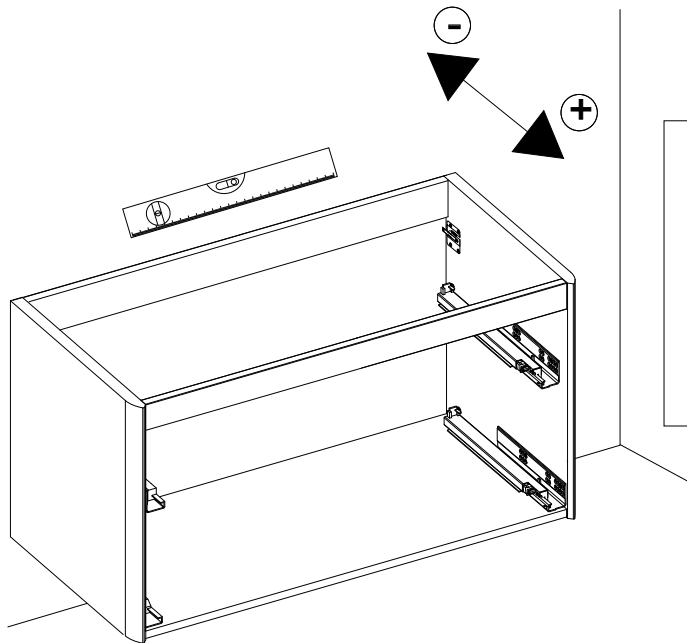
It is possible to adjust the vanity using the adjusting screws.

4



Step 5

Fully extend the slide rails out. Place the drawer into the slide rails. To secure drawer, close the drawer until a series of clicks are heard.



Installation notes:

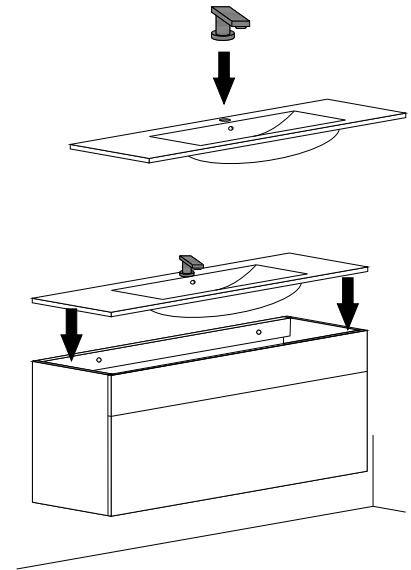
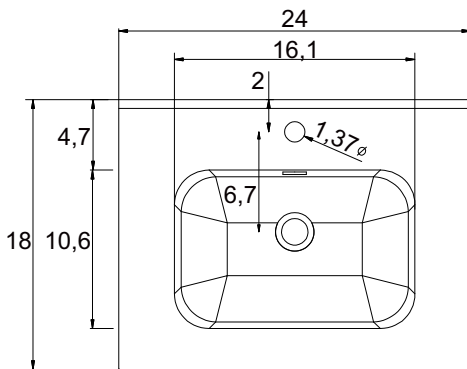
Faucet and silicone are not included.
 All sizes of sinks are subject to tolerance:
 +/- 0.40 inches (ceramic) and +/- 0.20
 inches (glass and resin)

Sink assembly

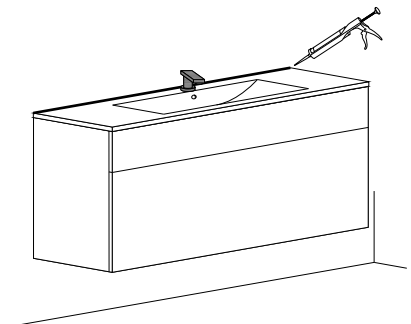
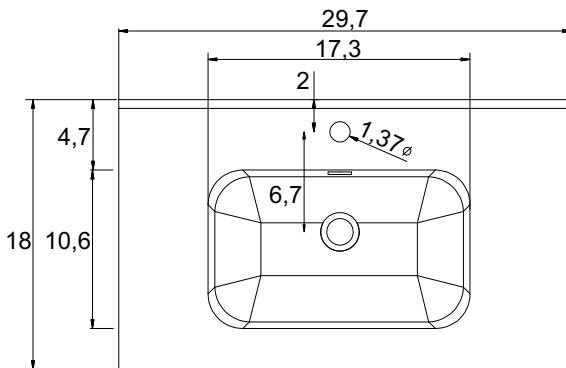
Install the faucet to the top and drains to the sink. Refer to the faucet and drain manufacturer's instructions.
 Complete the faucet connections. Run water and check for leaks.
 Apply a bead of silicone behind the top surface to the finished wall.

CERAMIC BASIN ART. 50202

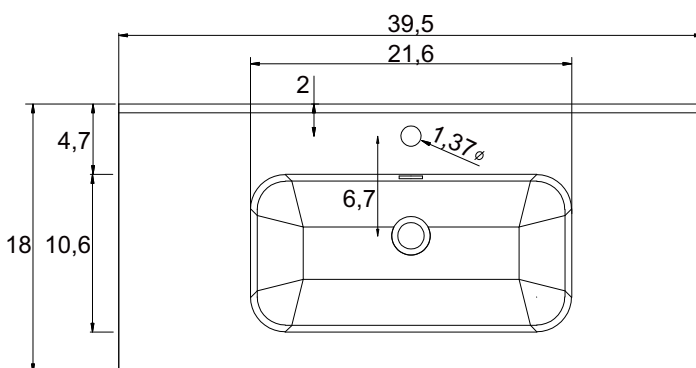
Top view of sink


CERAMIC BASIN ART. 50201

Top view of sink


CERAMIC BASIN ART. 50200

Top view of sink



Installation notes:

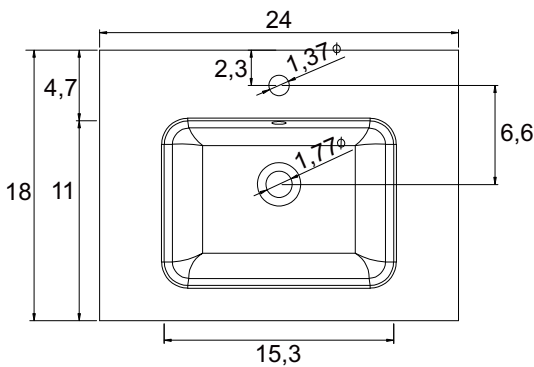
Faucet and silicone are not included.
 All sizes of sinks are subject to tolerance:
 +/- 0.40 inches (ceramic) and +/- 0.20
 inches (glass and resin)

Sink assembly

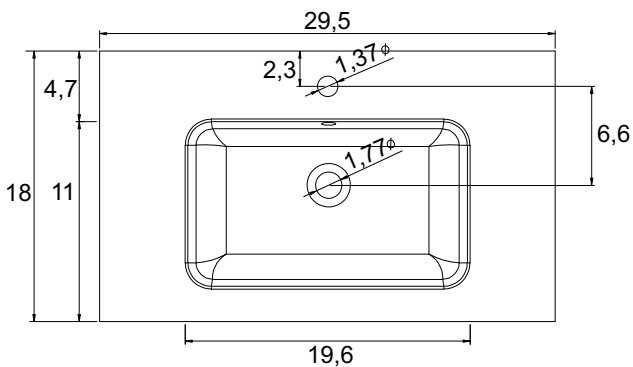
Install the faucet to the top and drains to the sink. Refer to the faucet and drain manufacturer's instructions.
 Complete the faucet connections. Run water and check for leaks.
 Apply a bead of silicone behind the top surface to the finished wall.

RESIN BASIN ART. 50203

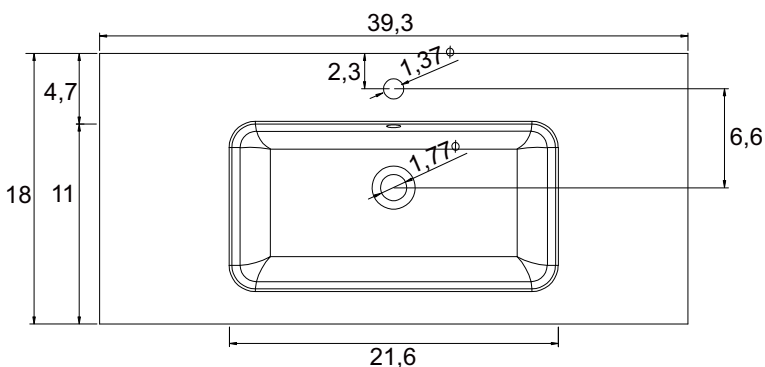
Top view of sink


RESIN BASIN ART. 50169

Top view of sink


RESIN BASIN ART. 50170

Top view of sink



Sink assembly

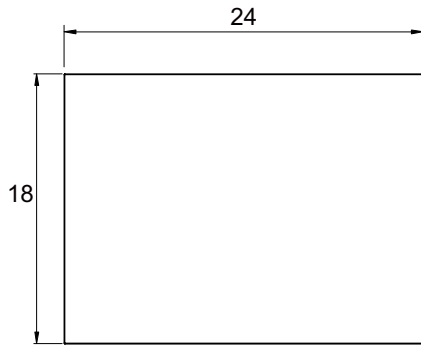
Install the faucet to the top and drains to the sink.
 Refer to the faucet and drain manufacturer's instructions.
 Complete the faucet connections. Run water and check for leaks.
 Apply a bead of silicone behind the top surface to the finished wall.

Installation notes:

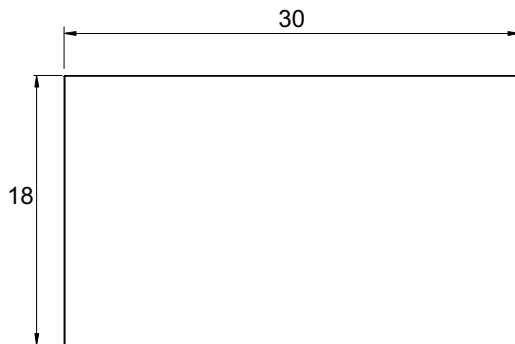
Faucet and silicone are not included.
 All sizes of sinks are subject to tolerance:
 +/- 0.40 inches (ceramic) and +/- 0.20 inches (glass and resin)

SOLID SURFACE TOP ART. 50204 - 50208

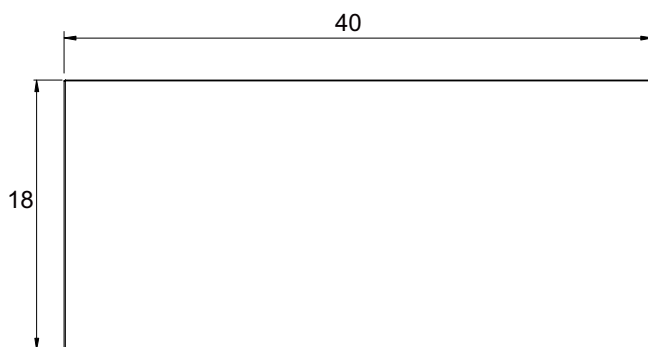
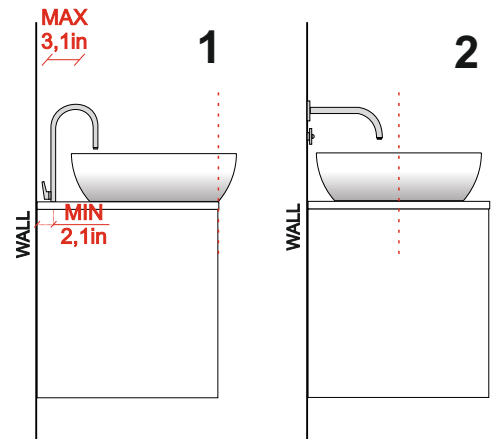
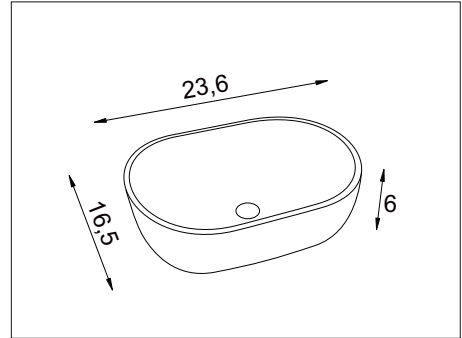
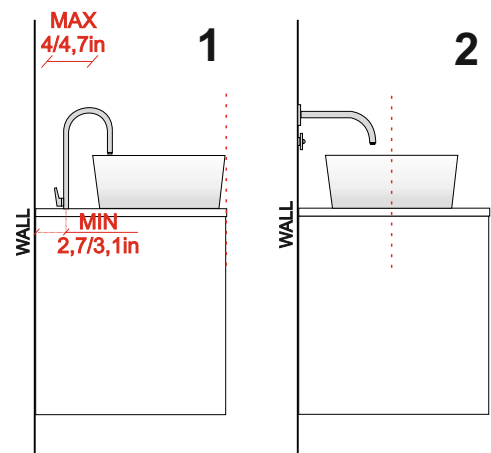
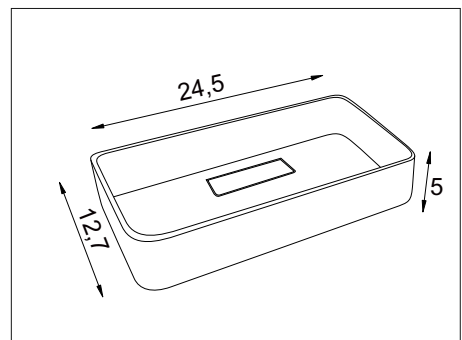
Top view of sink


SOLID SURFACE TOP ART. 50205 - 50209

Top view of sink


SOLID SURFACE TOP ART. 50206 - 50210

Top view of sink


CERAMIC BASIN ART. 50179

SOLID SURFACE BASIN ART. 50184


LUXURY ITALIAN

FURNITURE

It's all about the experience



BADEN HAUS S.p.A.
SINCE 1979
www.badenhaus.it

HANGING CABINET

Series Retro - Art. 54824/54825/54826/54827/54828/54829/54830/54831

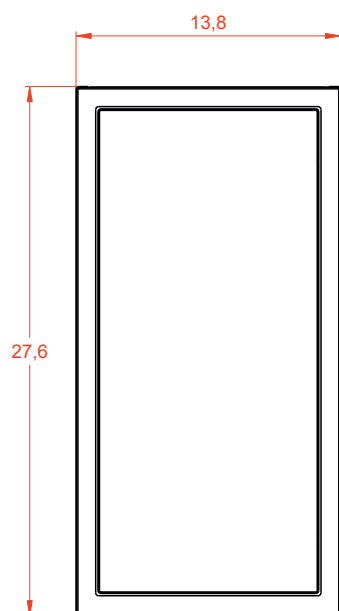
Features:

Includes adjustable support

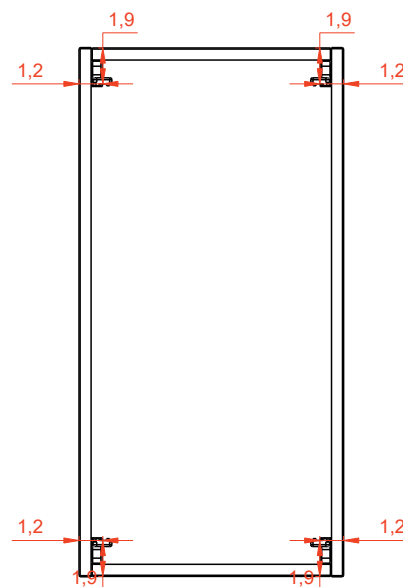
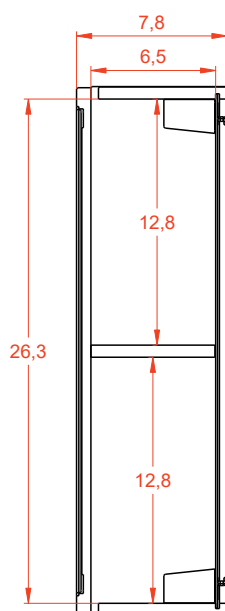
Includes installation hardware

Micro-Density Fiberboard (MDF) construction

Side view



Back view





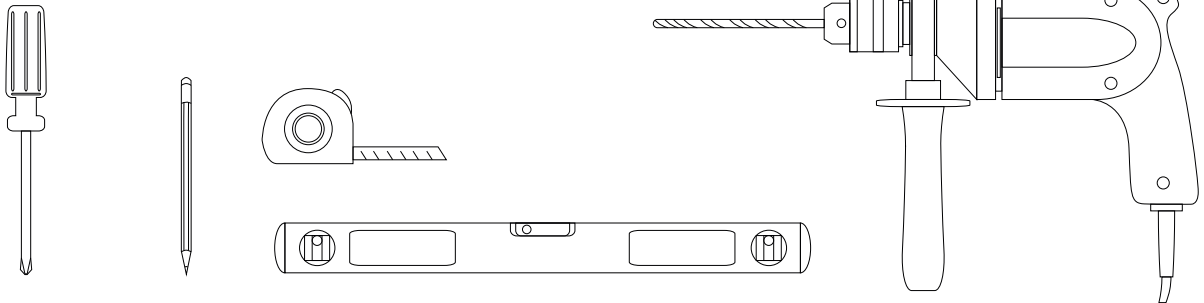
HANGING CABINET

Series Retro

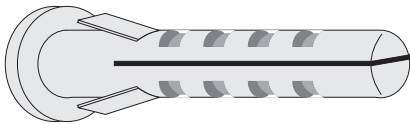
Installation notes:

Install this product according to the installation guide.
Choose fitting hardware according to wall material.

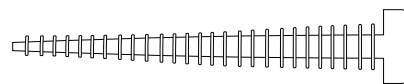
Installation tools not included:



Parts supplied:



X2



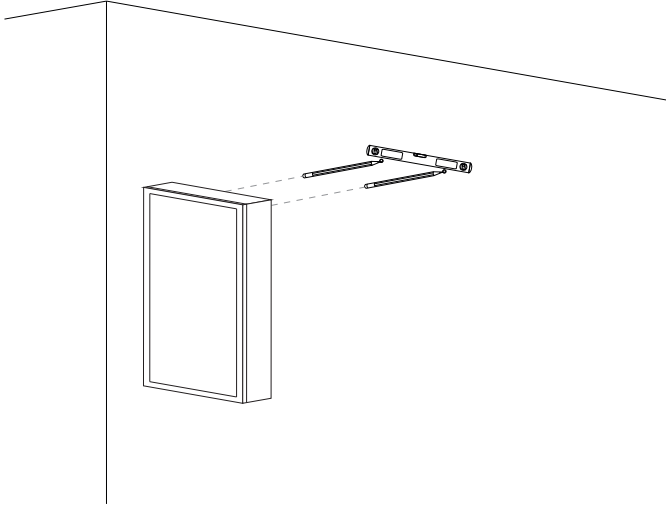
X2



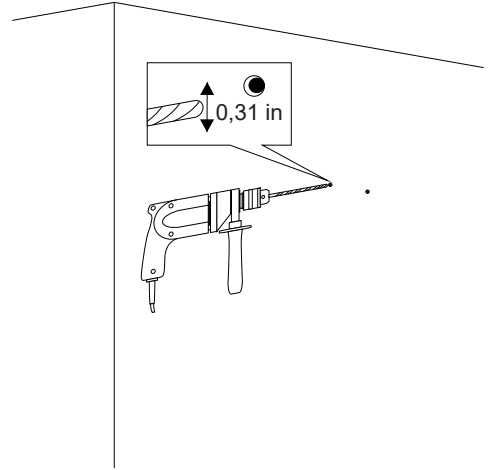
HANGING CABINET

Series Retro

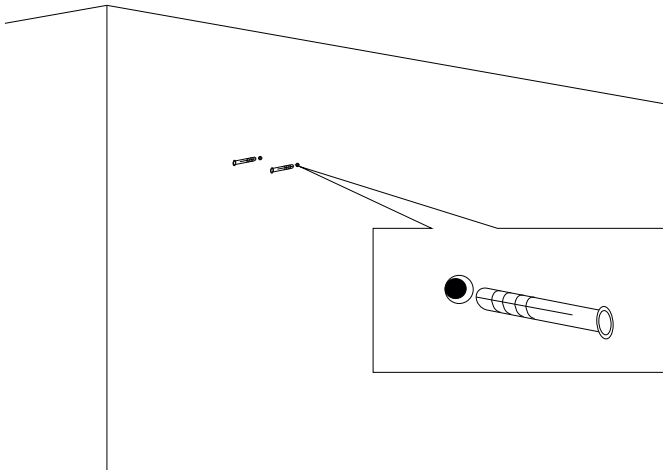
1



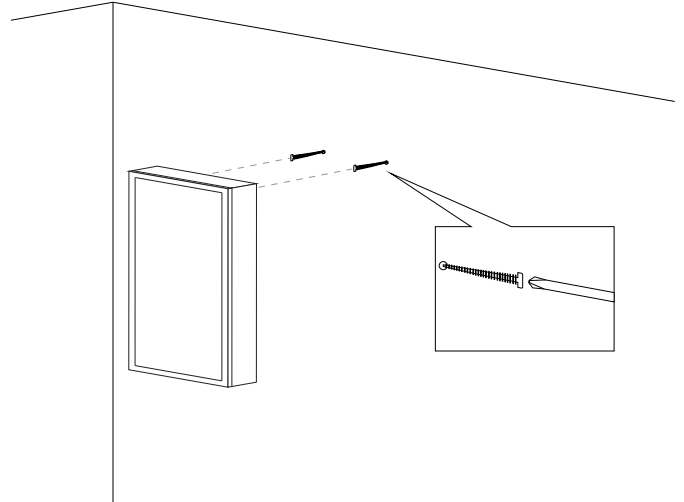
2



3



4



LUXURY ITALIAN

FURNITURE

It's all about the experience



BADEN HAUS S.p.A.
SINCE 1979
www.badenhaus.it

HIGH CUPBOARD

Series Retro - Art. 54822/54823

Features:

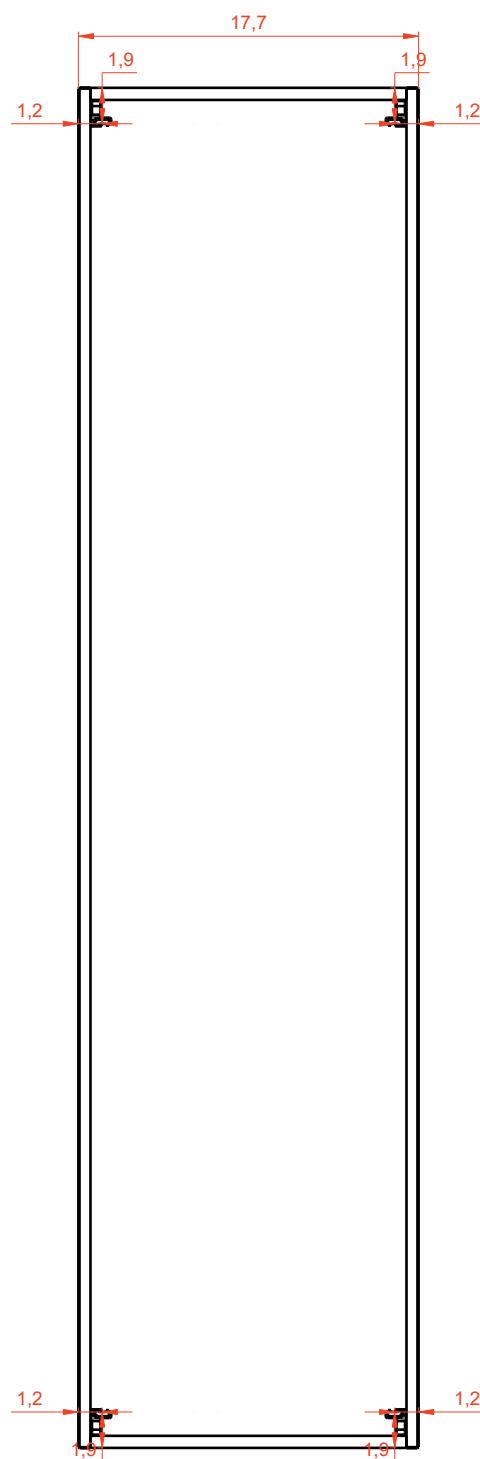
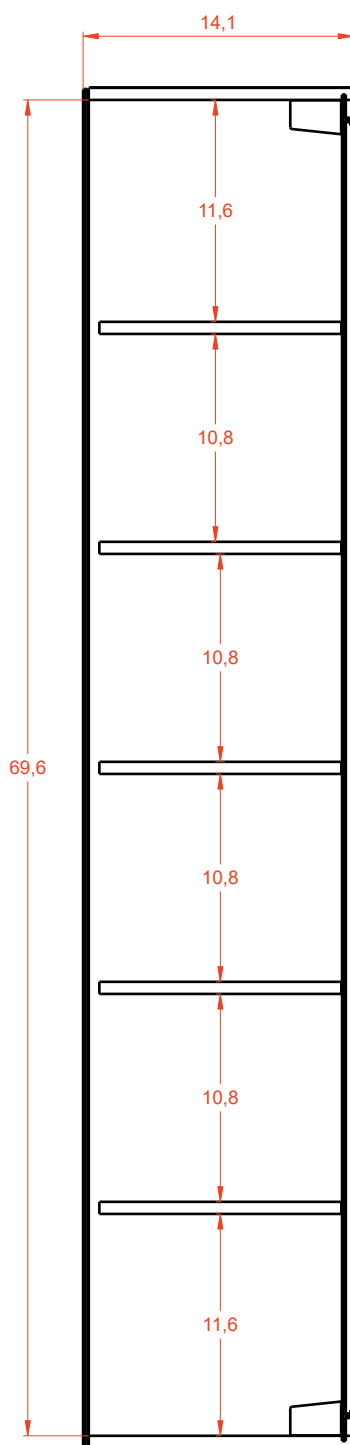
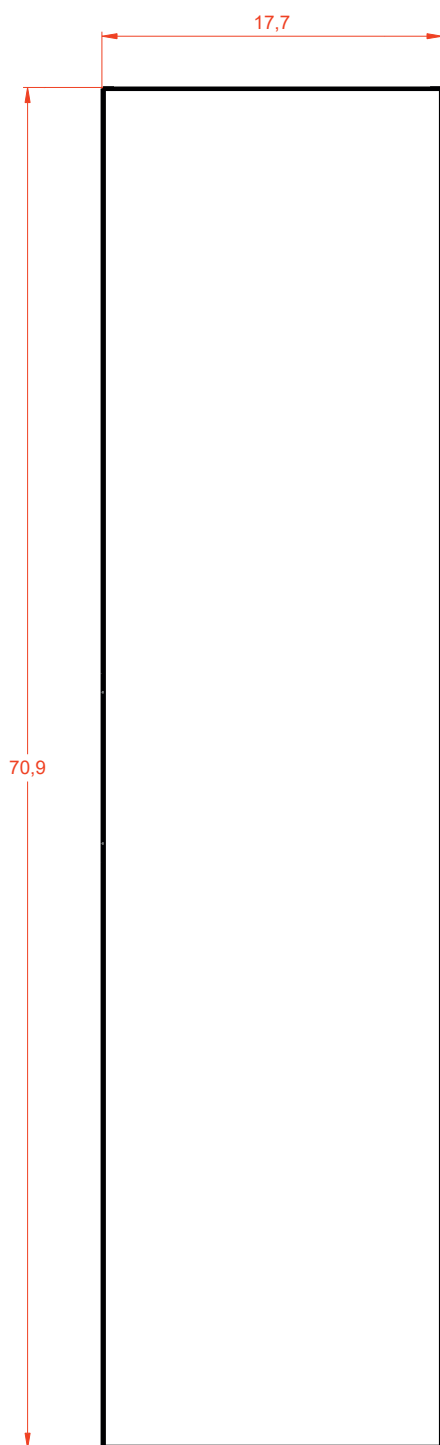
Includes adjustable support

Includes installation hardware

Micro-Density Fiberboard (MDF) construction

Side view

Back view





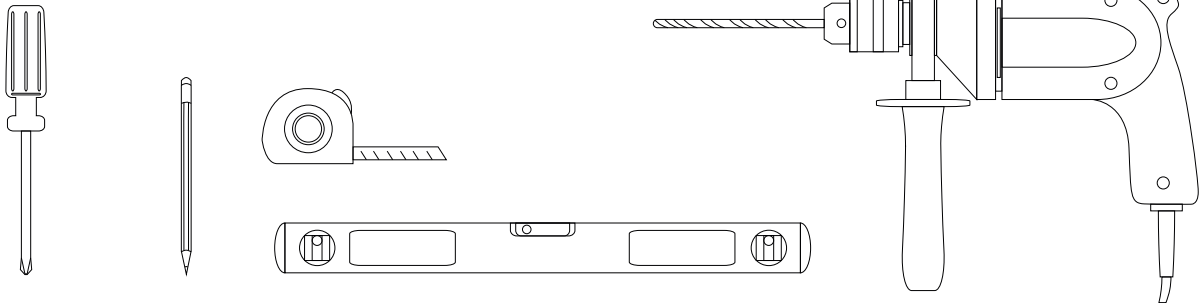
HIGH CUPBOARD

Series Retro

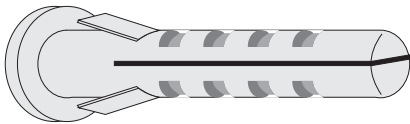
Installation notes:

Install this product according to the installation guide.
Choose fitting hardware according to wall material.

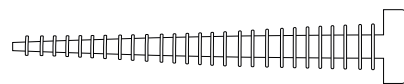
Installation tools not included:



Parts supplied:



X2



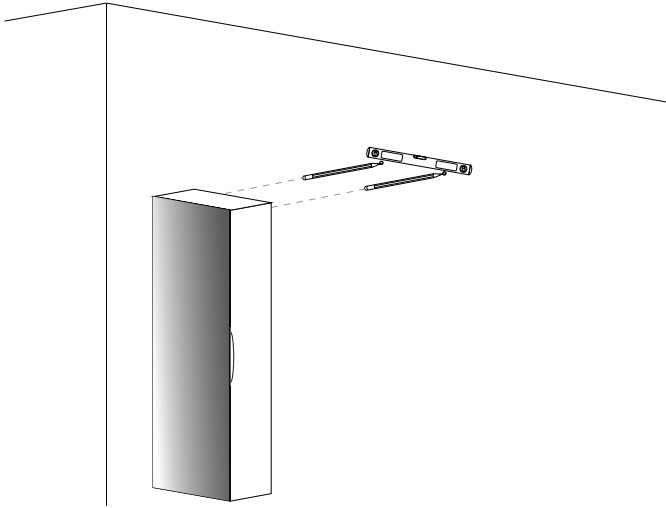
X2



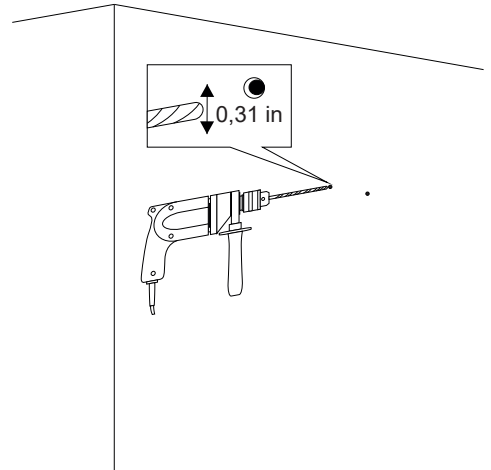
HIGH CUPBOARD

Series Retro

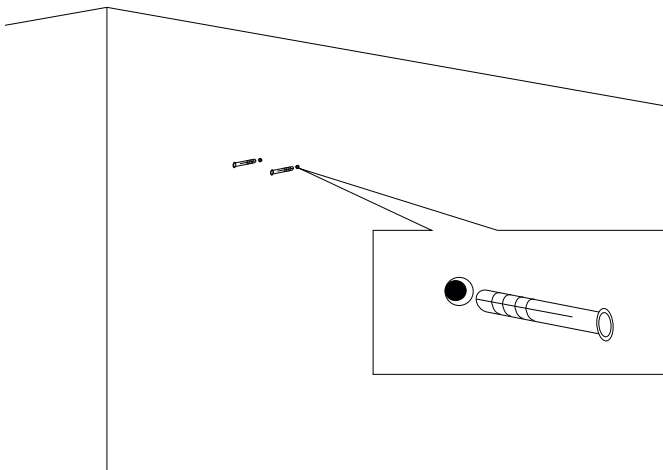
1



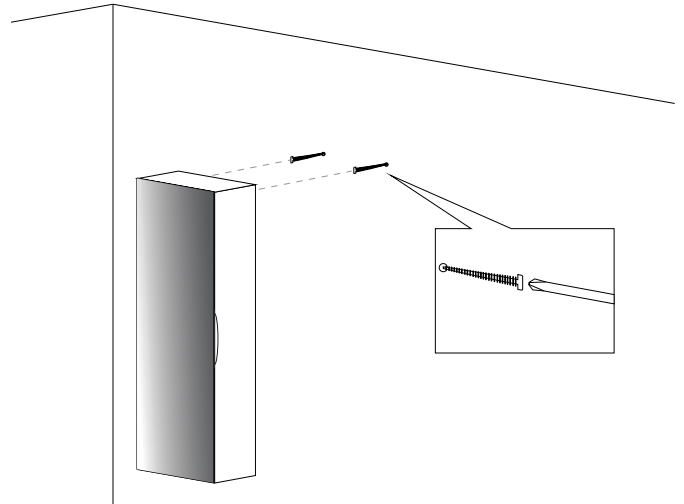
2



3



4



LUXURY ITALIAN

FURNITURE

It's all about the experience



BADEN HAUS S.p.A.
SINCE 1979
www.badenhaus.it

MIRROR

Series

Features:

24 W, 1500 Lm, 6000 K

Includes adjustable support

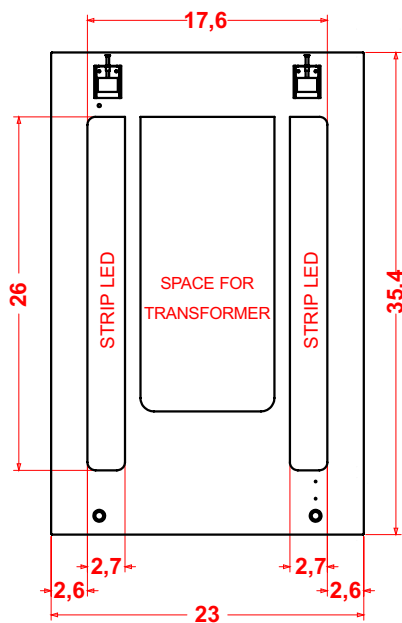
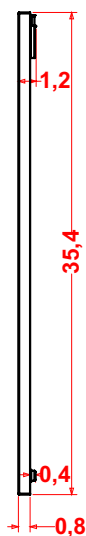
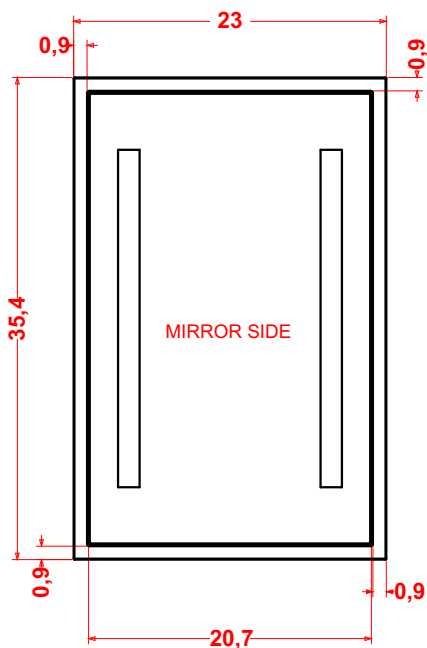
Fully finished backboard

Includes installation hardware

Micro-Density Fiberboard (MDF) construction

Side view

Back view





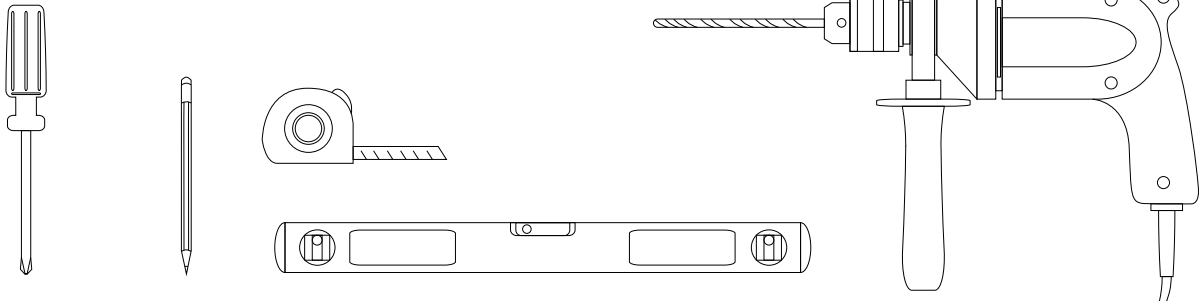
MIRROR

Series

Installation notes:

Install this product according to the installation guide
Wall bracing and Baden Haus supplied hardware are recommended.

Installation tools not included:



Parts supplied:



x2

Hook 0,21in x 2,48in



x2

Nylon rawlplug 0,31 x 1,57in **suitable for brick wall**

MIRRORS



Mirror lighting full-led, guarantee an energy saving of a 80/90% compared to a classic lighting incandescent or halogen and life of about 3/5 times higher.



The LED lighting can exceed 50.000 hours of activities, reducing the costs of maintenance. Not produce heat and withstand the high temperatures.

IP44 ☐ CE

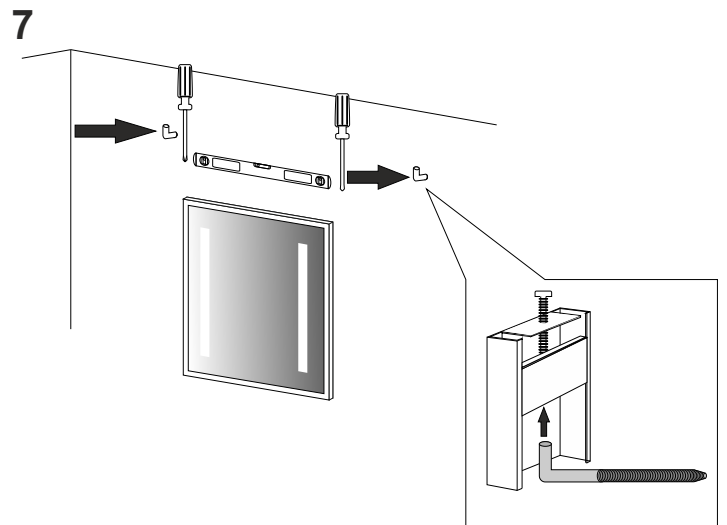
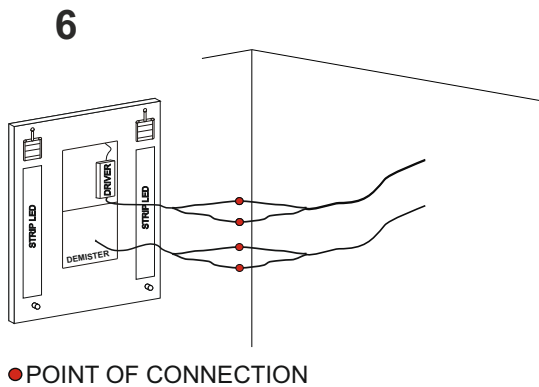
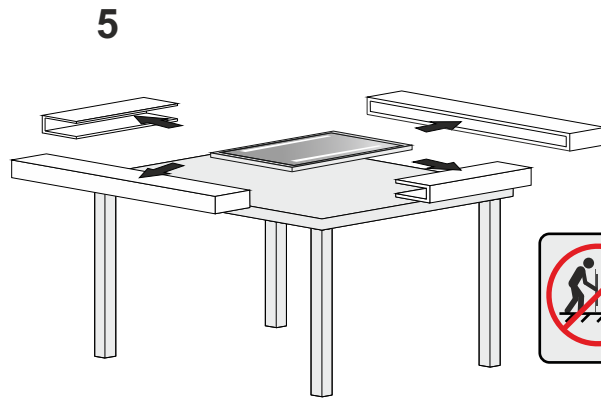
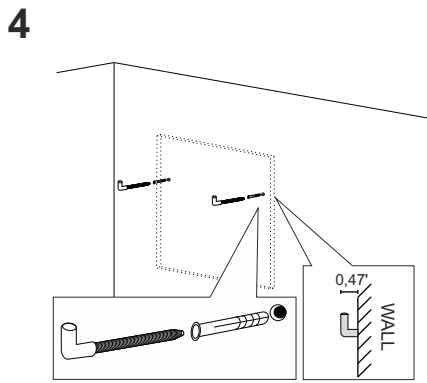
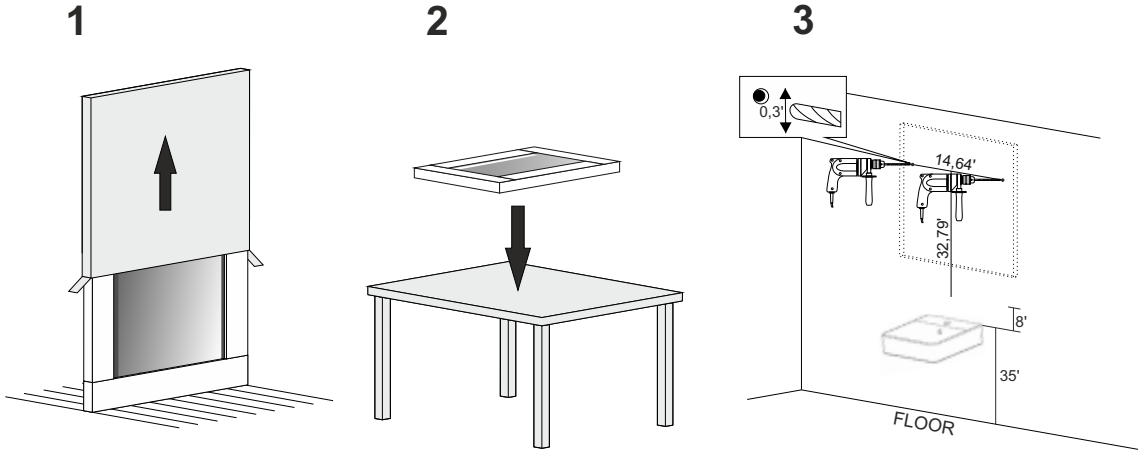


Unlike normal halogen lamps, do not contain mercury and do not emit harmful UV rays for the health.



MIRROR

Series



The light source contained in this luminaire shall only be replaced by the manufacturer or his service agent or a similar qualified person.

LUXURY ITALIAN

FURNITURE

It's all about the experience



BADEN HAUS S.p.A.
SINCE 1979
www.badenhaus.it

MIRROR

Series

Features:

24 W, 1500 Lm, 6000 K

Includes adjustable support

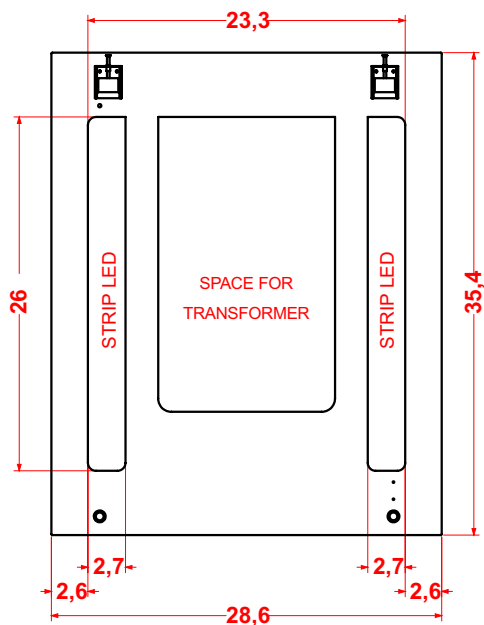
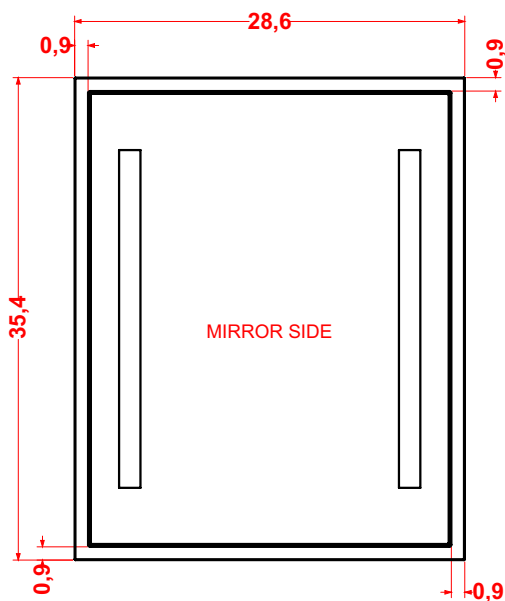
Fully finished backboard

Includes installation hardware

Micro-Density Fiberboard (MDF) construction

Side view

Back view





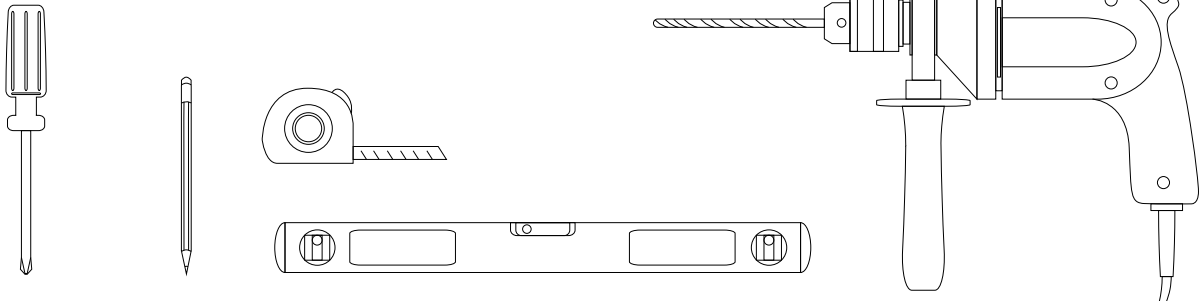
MIRROR

Series

Installation notes:

Install this product according to the installation guide
Wall bracing and Baden Haus supplied hardware are recommended.

Installation tools not included:



Parts supplied:



x2

Hook 0,21in x 2,48in



x2

Nylon rawlplug 0,31 x 1,57in **suitable for brick wall**

MIRRORS



Mirror lighting full-led, guarantee an energy saving of a 80/90% compared to a classic lighting incandescent or halogen and life of about 3/5 times higher.



The LED lighting can exceed 50.000 hours of activities, reducing the costs of maintenance. Not produce heat and withstand the high temperatures.

IP44 ☐ CE

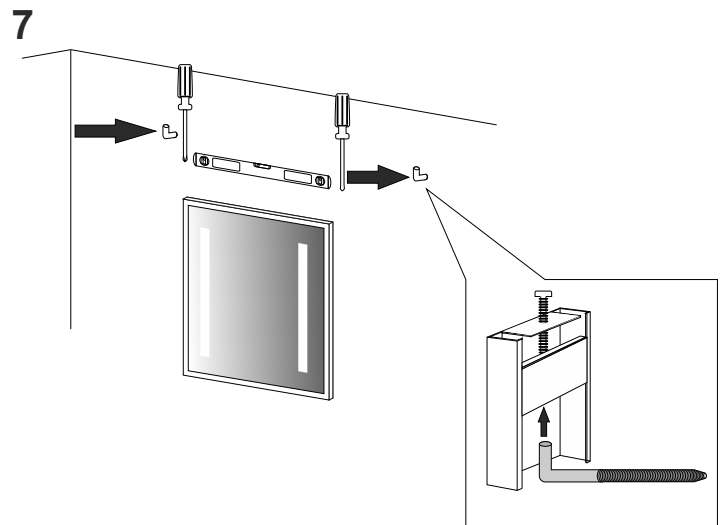
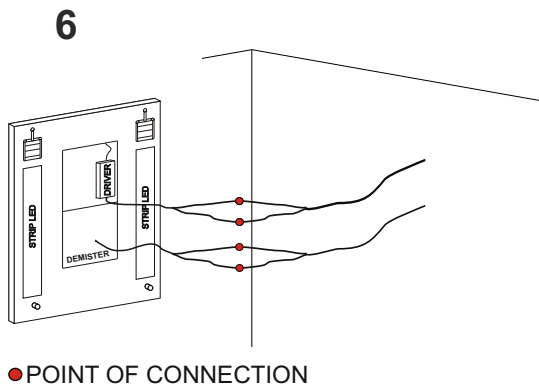
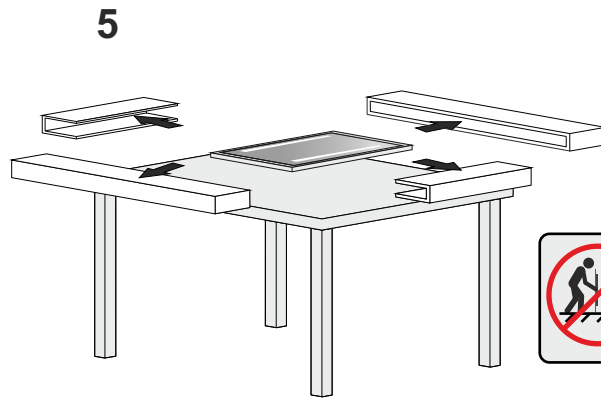
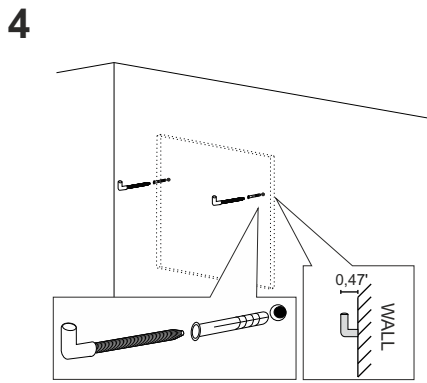
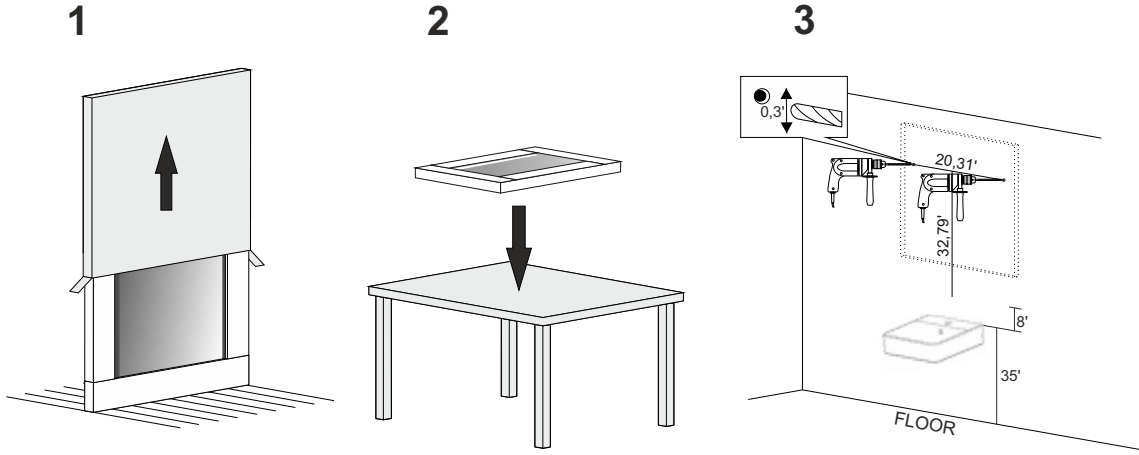


Unlike normal halogen lamps, do not contain mercury and do not emit harmful UV rays for the health.



MIRROR

Series



The light source contained in this luminaire shall only be replaced by the manufacturer or his service agent or a similar qualified person.

LUXURY ITALIAN

FURNITURE

It's all about the experience



BADEN HAUS S.p.A.
SINCE 1979
www.badenhaus.it

MIRROR

Series

Features:

24 W, 1500 Lm, 6000 K

Includes adjustable support

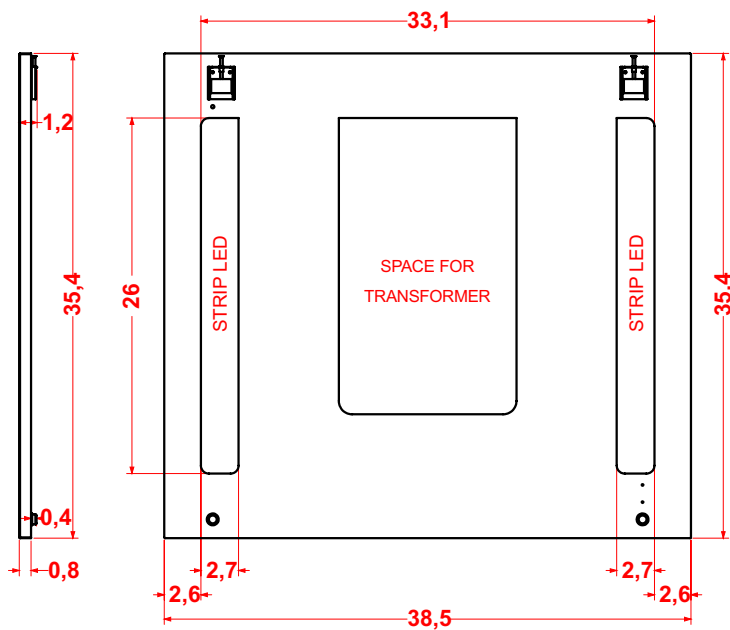
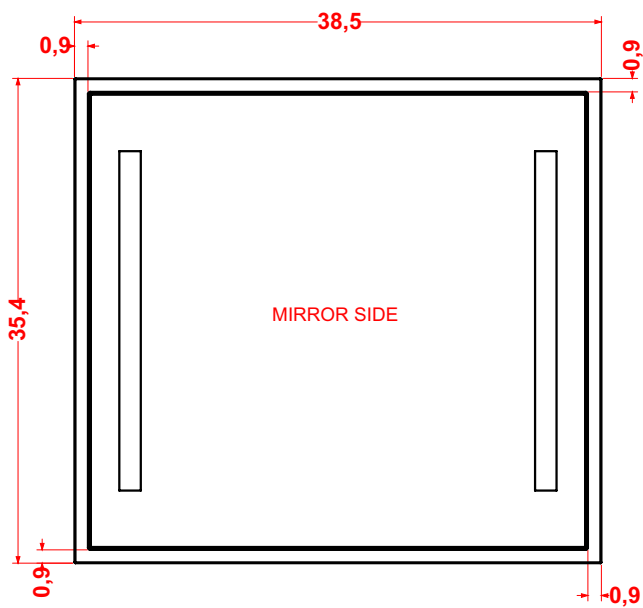
Fully finished backboard

Includes installation hardware

Micro-Density Fiberboard (MDF) construction

Side view

Back view





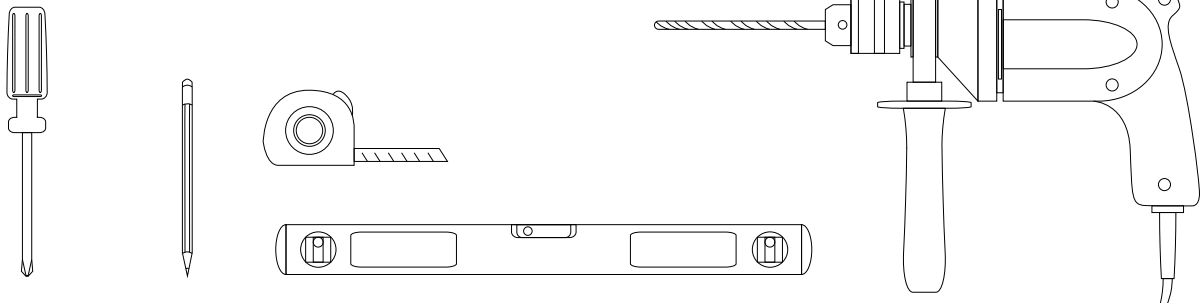
MIRROR

Series

Installation notes:

Install this product according to the installation guide
Wall bracing and Baden Haus supplied hardware are recommended.

Installation tools not included:



Parts supplied:



x2

Hook 0,21in x 2,48in



x2

Nylon rawlplug 0,31 x 1,57in **suitable for brick wall**

MIRRORS



Mirror lighting full-led, guarantee an energy saving of a 80/90% compared to a classic lighting incandescent or halogen and life of about 3/5 times higher.



The LED lighting can exceed 50.000 hours of activities, reducing the costs of maintenance. Not produce heat and withstand the high temperatures.

IP44 ☐ CE

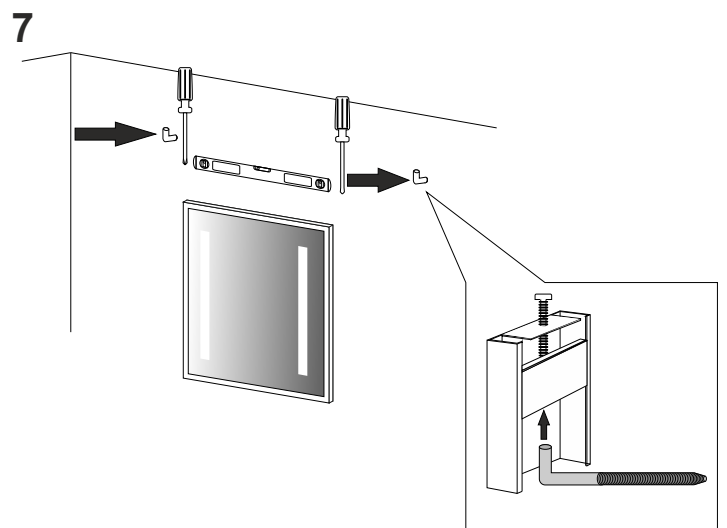
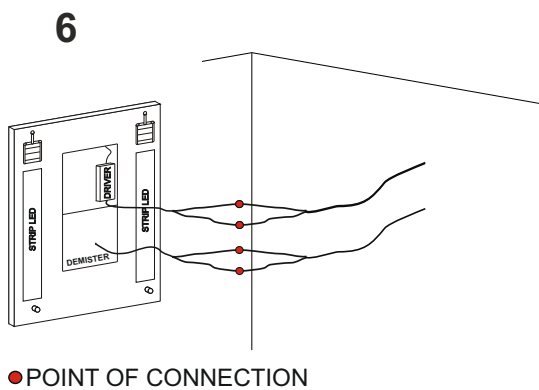
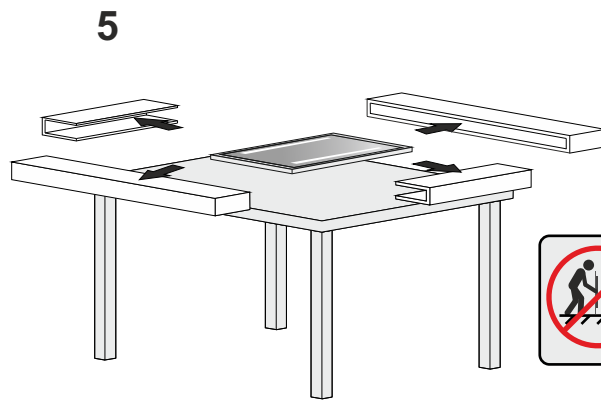
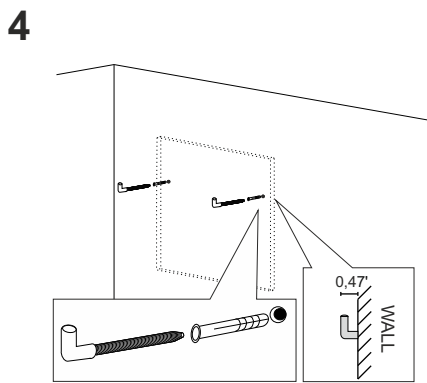
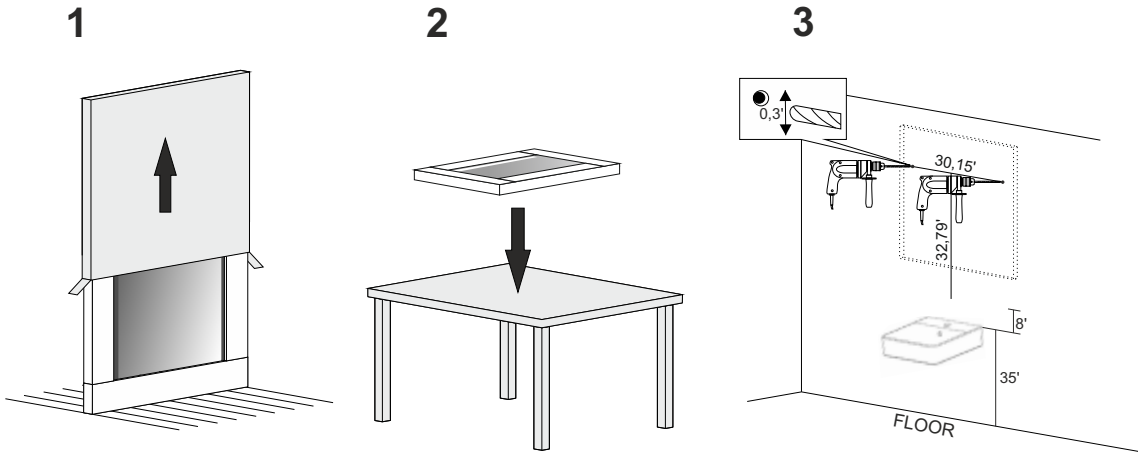


Unlike normal halogen lamps, do not contain mercury and do not emit harmful UV rays for the health.



MIRROR

Series



The light source contained in this luminaire shall only be replaced by the manufacturer or his service agent or a similar qualified person.

LUXURY ITALIAN
FURNITURES

It's all
about the
experience



BADEN HAUS S.p.A.
SINCE 1979
www.badenhaus.it

MIRROR

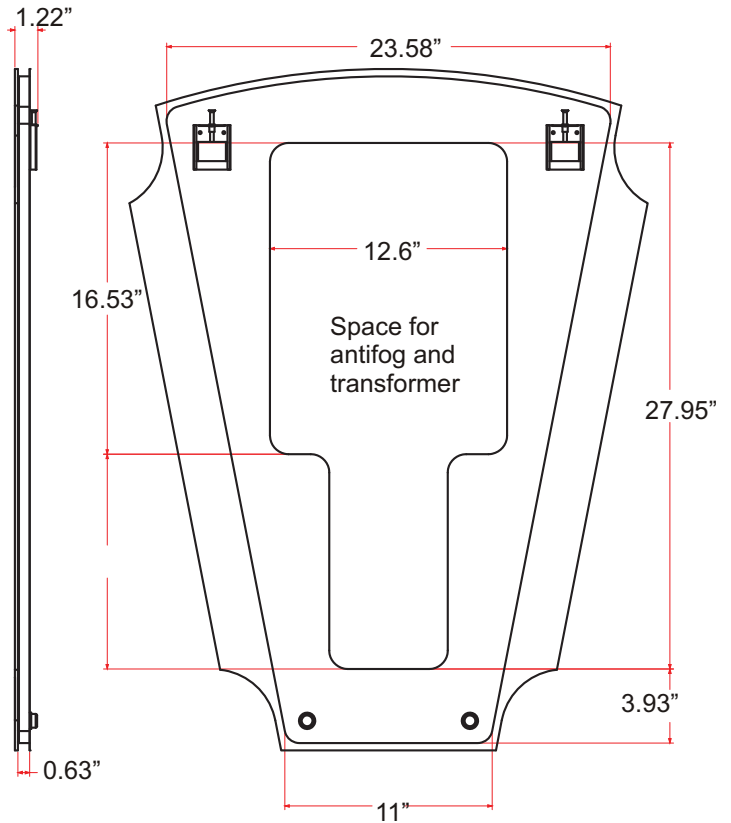
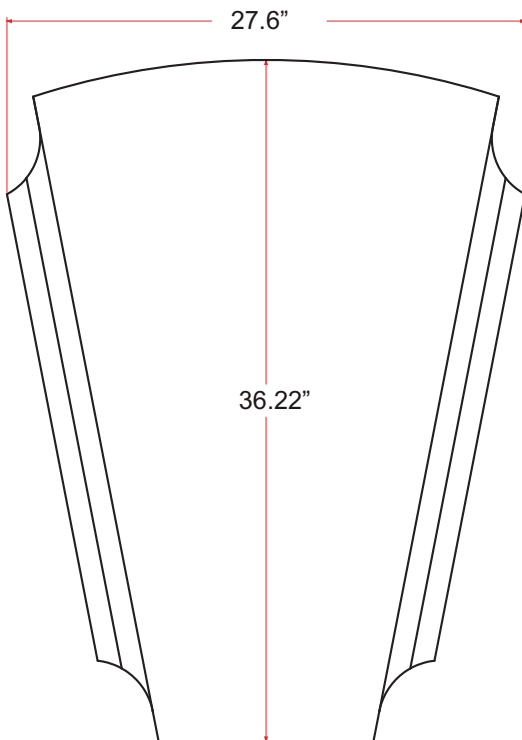
Series ITEM# 45020

Features:

- 40 W , 3000 Lm , 6500 K
- Includes adjustable support
- Fully finished backboard
- Includes installation hardware
- Micro-Density Fiberboard (MDF) construction

Side view

Back view





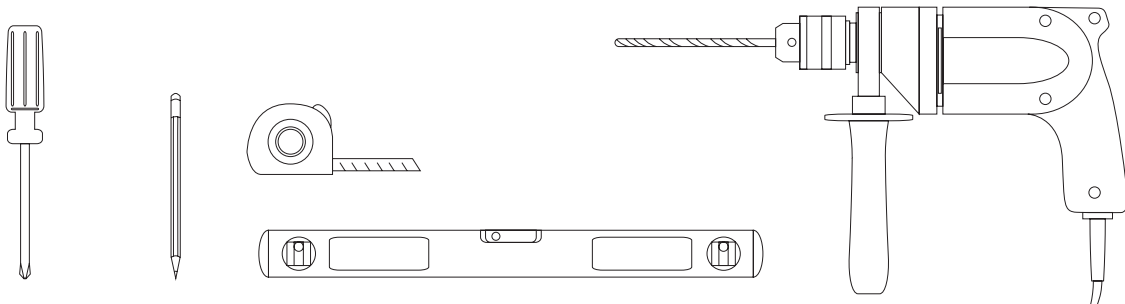
MIRROR

Series

Installation notes:

Install this product according to the installation guide
Wall bracing and Baden Haus supplied hardware are recommended.

Installation tools not included:



Parts supplied:



x2

Hook 5,5 x 63mm



x2

Nylon rawplug 8 x 40mm **suitable for brick wall**

MIRRORS



Mirror lighting full-led, guarantee an energy saving of a 80/90% compared to a classic lighting incandescent or halogen and life of about 3/5 times higher.



The LED lighting can exceed 50.000 hours of activities, reducing the costs of maintenance. Not produce heat and withstand the high temperatures.

IP44 ☐ C C

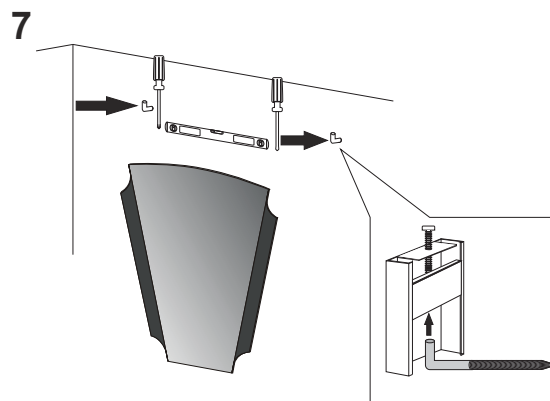
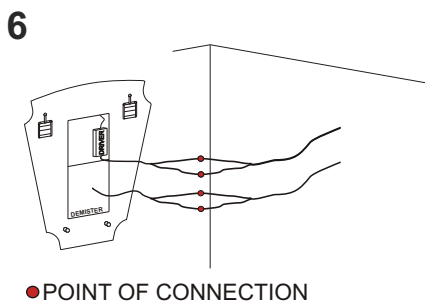
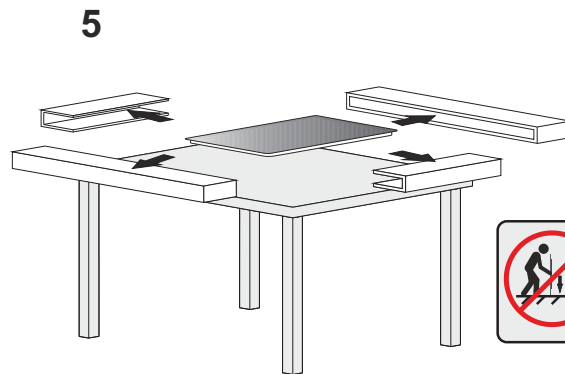
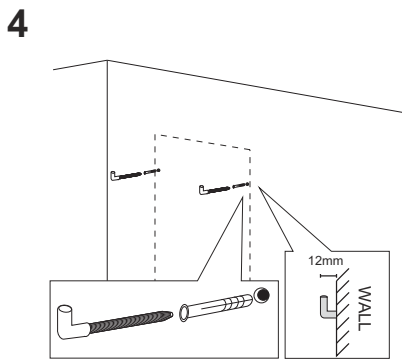
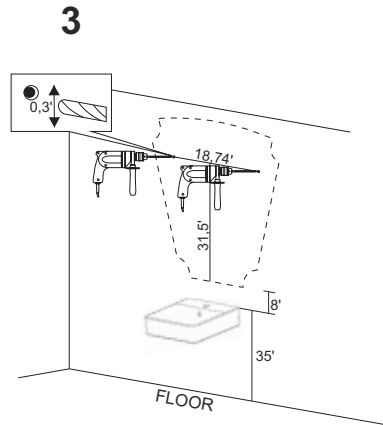
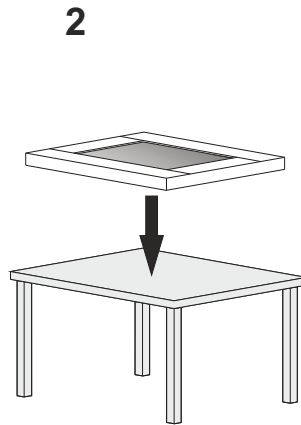
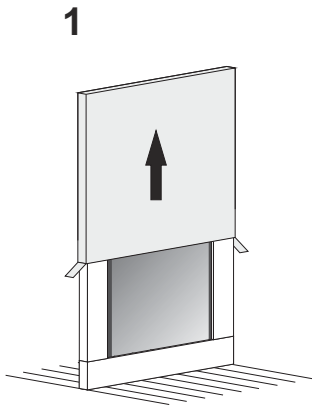


Unlike normal halogen lamps, do not contain mercury and do not emit harmful UV rays for the health.



MIRROR

Series



The light source contained in this luminaire shall only be replaced by the manufacturer or his service agent or a similar qualified person.