



# SPACE

Series

**Features:**

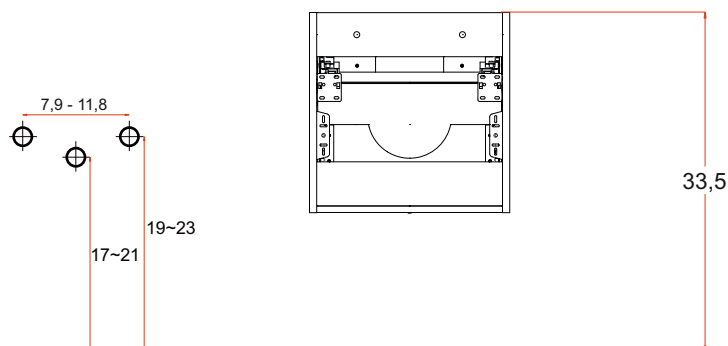
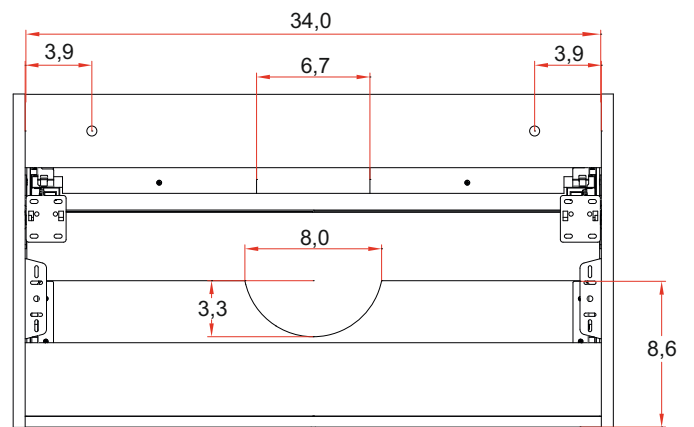
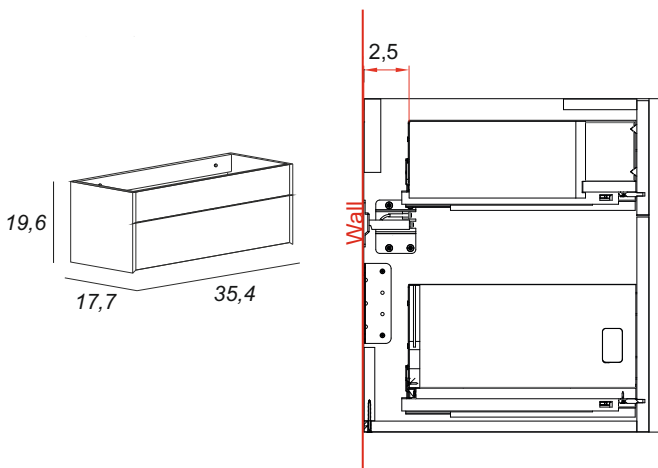
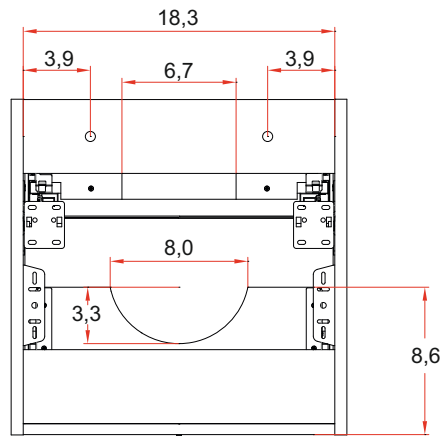
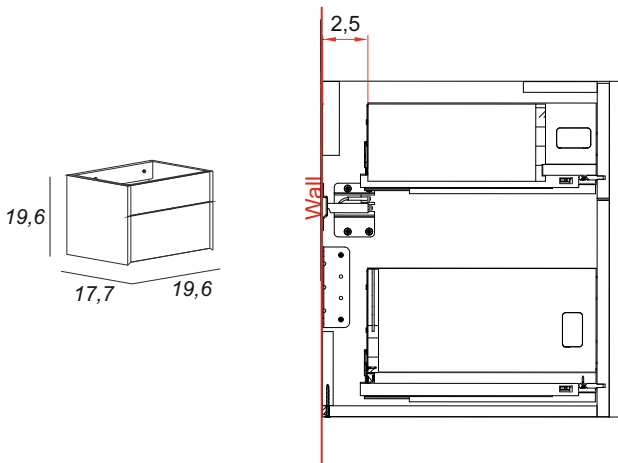
- Drawers soft-close
- Fully finished interiors
- Includes installation hardware
- Includes fully adjustable drawer slides

**Notes:**

All sizes of vanities are subject to tolerance, +/- 0.40 inches

Side view for plumbing

Back view for plumbing





# SPACE

Series

**Features:**

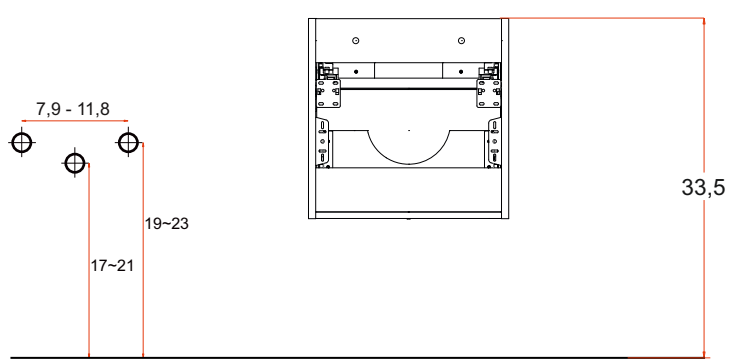
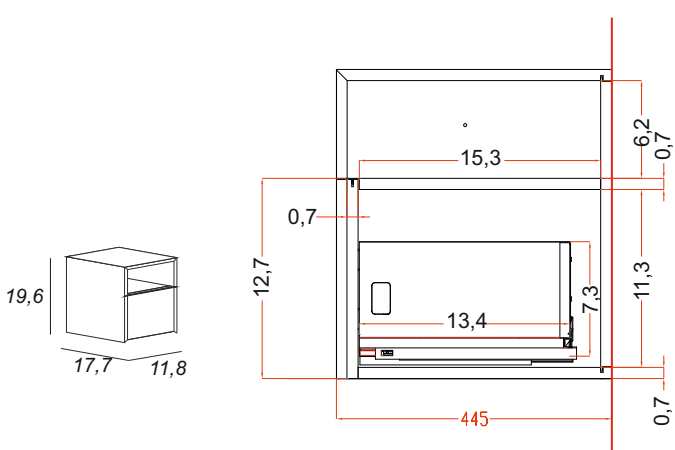
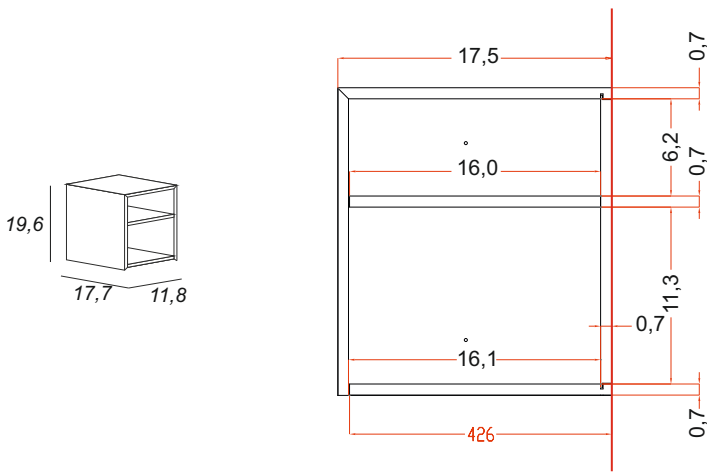
- Drawers soft-close
- Fully finished interiors
- Includes installation hardware
- Includes fully adjustable drawer slides

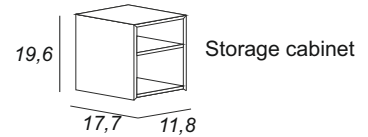
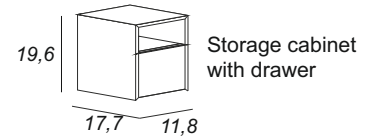
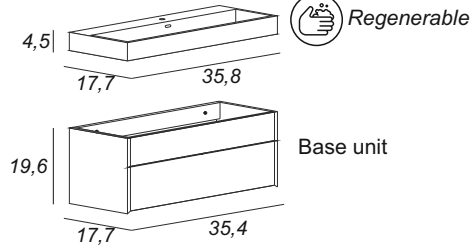
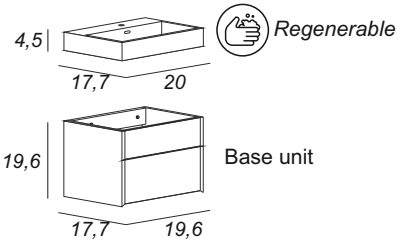
**Notes:**

All sizes of vanities are subject to tolerance, +/- 0.40 inches

Side view for plumbing

Back view for plumbing





## FURNITURE CHARACTERISTIC



Cabinet with 45° edge working on sides. Sides and doors' thickness 0,7in, with ABS edge and scratchproof which guarantee longevity and reliability. The inner finish is anthracite and are provided by organizers in fumè glass shelf to optimize the spaces. Handles and foot in matt white metal. The collection is completed by cabinet for washing machine, hanging cabinet, high cupboard and laundry basket.



Soft closing hinges guaranteed for 100,000 cycles. Soft closing slides guaranteed for 60,000 cycles. Hinges and slides used in furniture and complementary allow the adjustment in 3 different positions.



It is not necessary to assemble the cabinet (product not in kit).



Washbasin in matt white resin material, height 4,5in with wide and deep bowl, shock resistant and regenerable.

## MIRRORS



Mirror lighting full-led, guarantee an energy saving of a 80/90% compared to a classic lighting incandescent or halogen and life of about 3/5 times higher.



The LED lighting can exceed 50.000 hours of activities, reducing the costs of maintenance. Not produce heat and withstand the high temperatures. IP44 ☐



Unlike normal halogen lamps, do not contain mercury and do not emit harmful UV rays for the health.

**Installation notes:**

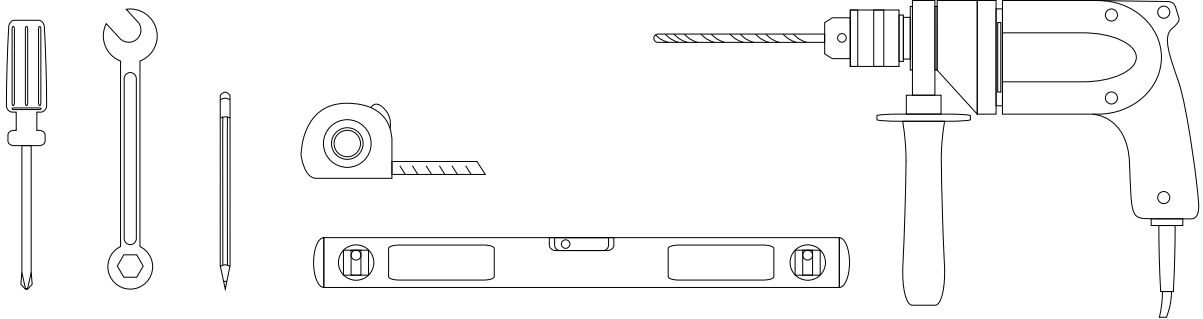
Install this product according to the installation guide  
Special site preparation is required.

Wall bracing and Baden Haus supplied hardware are recommended.

The plumbing must be roughed into the plumbing cutout area of the vanity

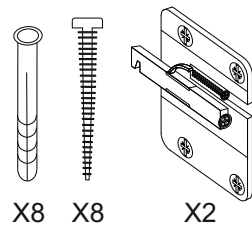
Refer to the sink rough-in and the vanity rough-in for proper placement. The water supply and drain lines must be installed before installing the vanity

**Installation tools not included:**



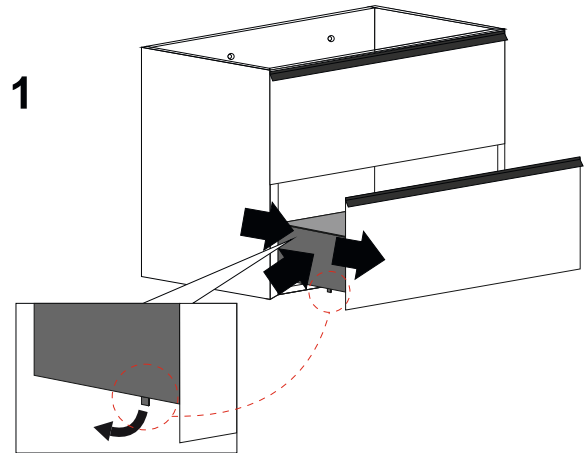
**Materials Included:**

- 8 nylon rawlplug
- 8 screws
- 2 wall plate



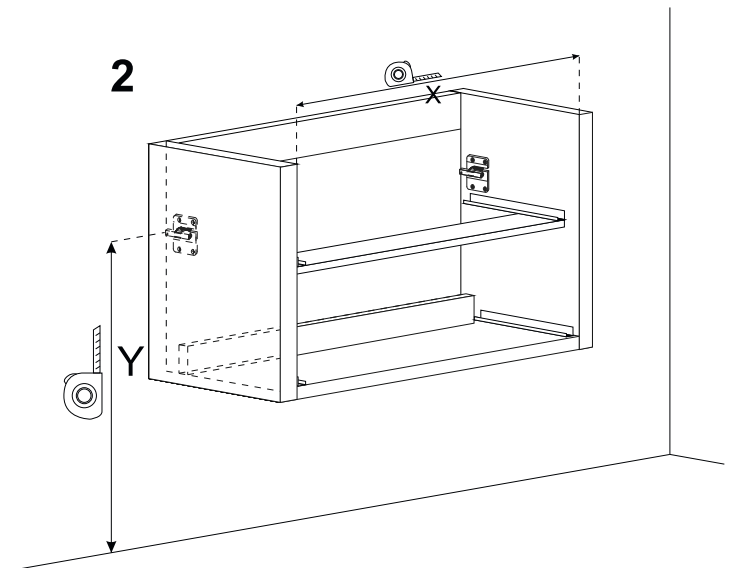
**Step 1**

Pull out completely the drawers and take off from the slide rails.



**Step 2**

Determine the ideal location of your new vanity. Mark the holes and drill pilot holes in the dry wall.

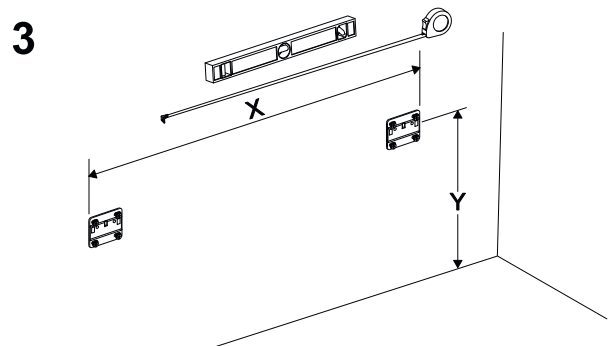


**Step 3**

Place the wall brackets on the finished wall and install at the locations drilled with the screws as shown here.

According to measures taken on step 2, make drills with diameter 0,3in. For each wall plate must be made 4 holes. Then insert nylon rawlplug for each drill.

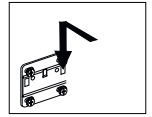
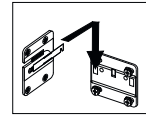
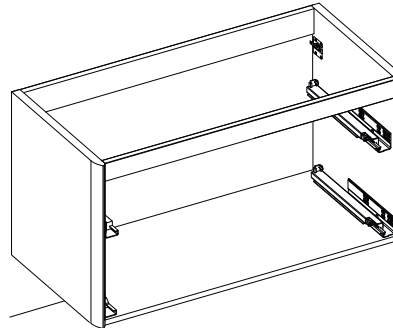
Fix wall plate to wall using screws. After that plates are strongly fixed on wall, you can install vanity on wall.



**Step 4**

It is possible to adjust the vanity using the adjusting screws.

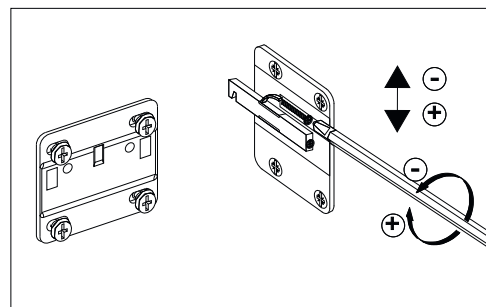
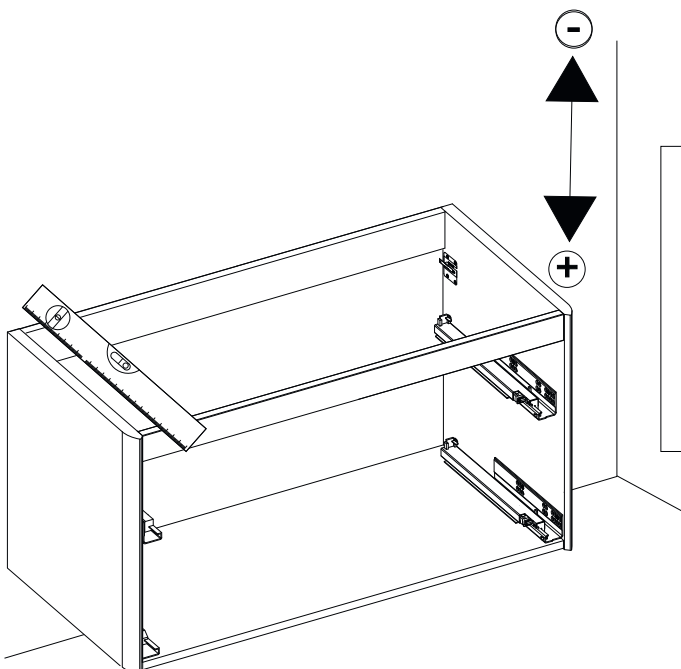
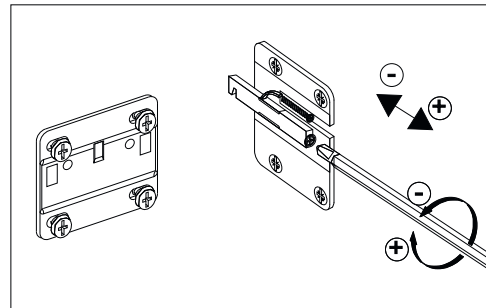
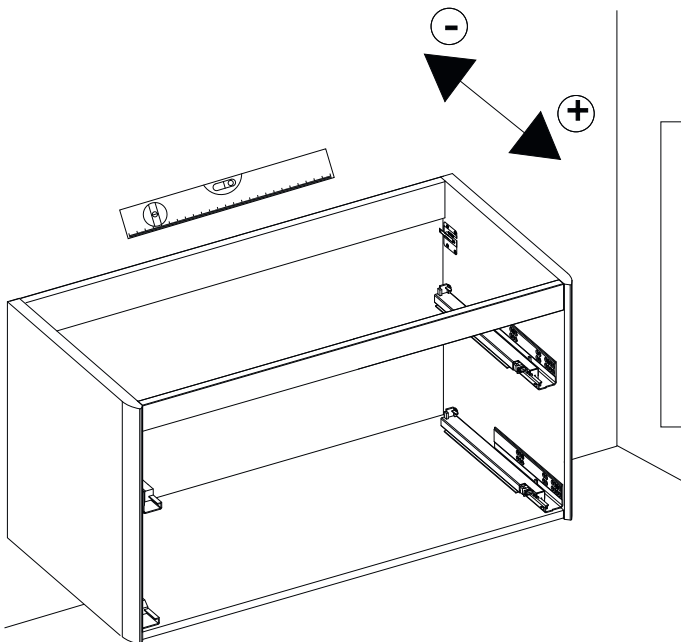
4



**Step 5**

Fully extend the slide rails out. Place the drawer into the slide rails. To secure drawer, close the drawer until a series of clicks are heard.

4



**Installation notes:**

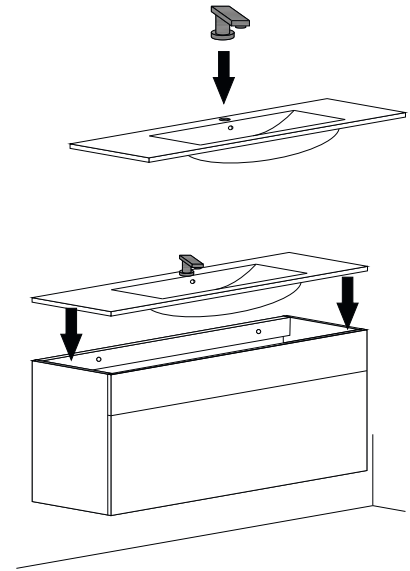
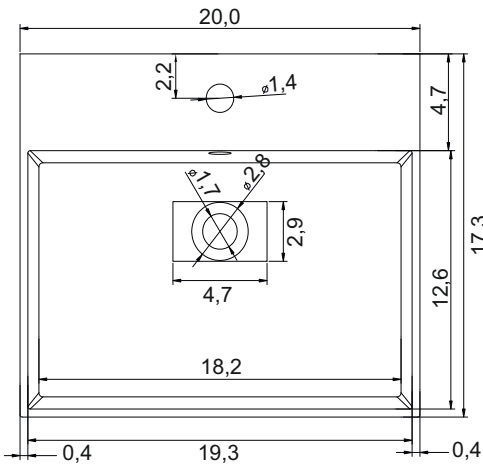
Faucet and silicone are not included.  
 All sizes of sinks are subject to tolerance:  
 +/- 0.40 inches (ceramic) and +/- 0.20  
 inches (glass and resin)

**Sink assembly**

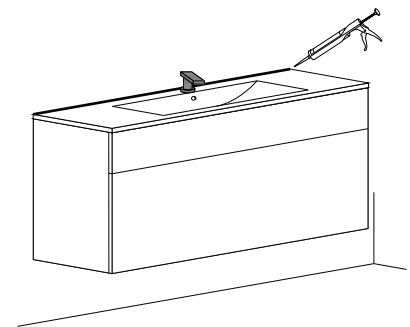
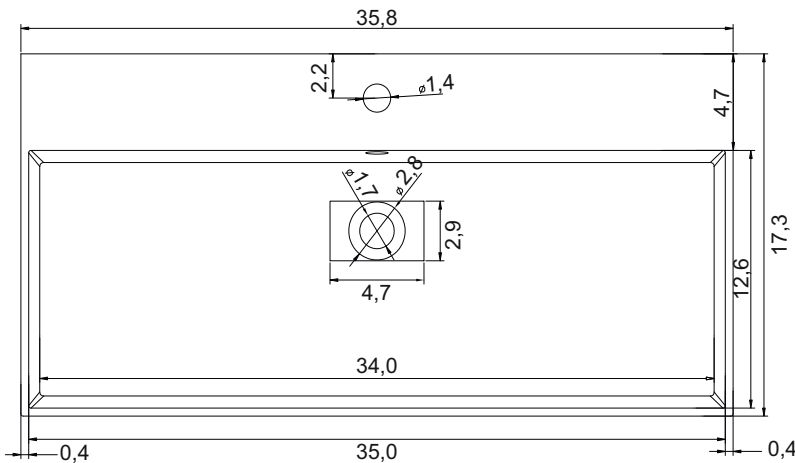
Install the faucet to the top and drains to the sink. Refer to the faucet and drain manufacturer's instructions.  
 Complete the faucet connections. Run water and check for leaks.  
 Apply a bead of silicone behind the top surface to the finished wall.

**RESIN BASIN ART. 50262**

Top view of sink


**RESIN BASIN ART. 50263**

Top view of sink



LUXURY ITALIAN

FURNITURE

It's all about the experience



BADEN HAUS S.p.A.  
SINCE 1979  
www.badenhaus.it

# HIGH CUPBOARD

Series Space - Art. 55051 / 55052 / 55053

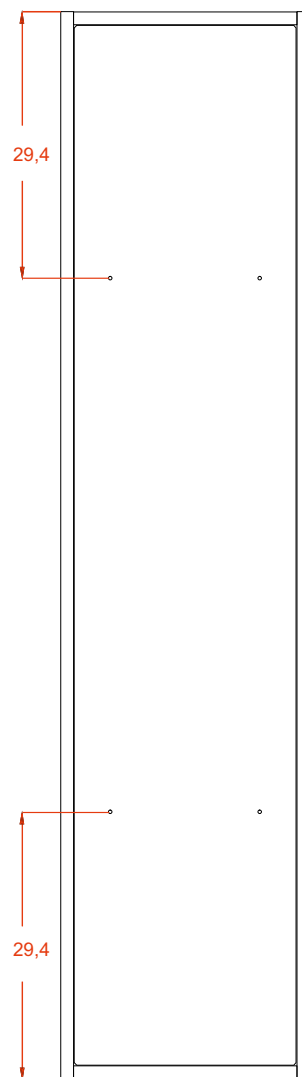
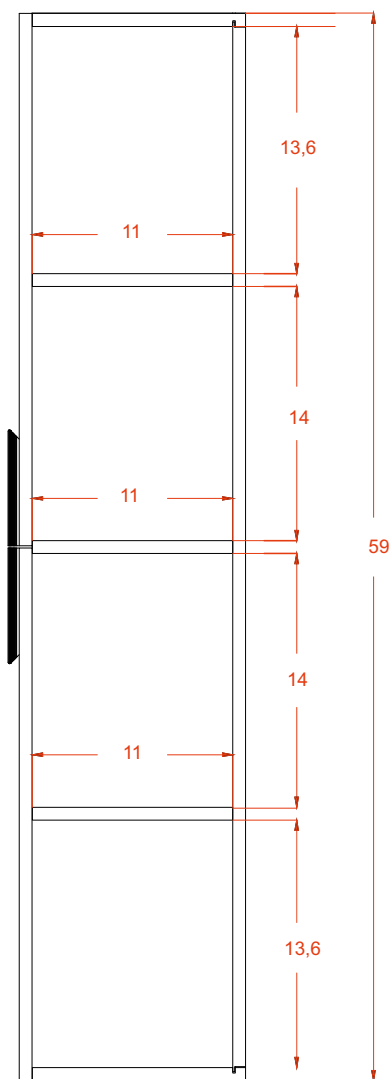
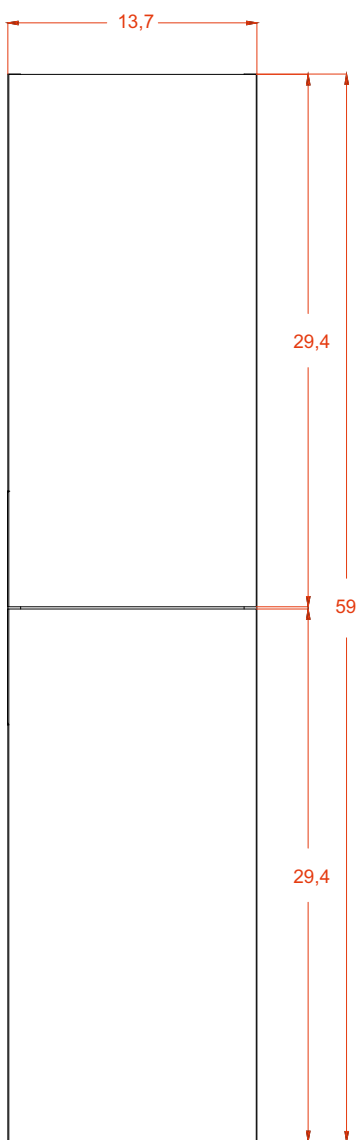
55054

## Features:

Includes installation hardware

Side view

Back view







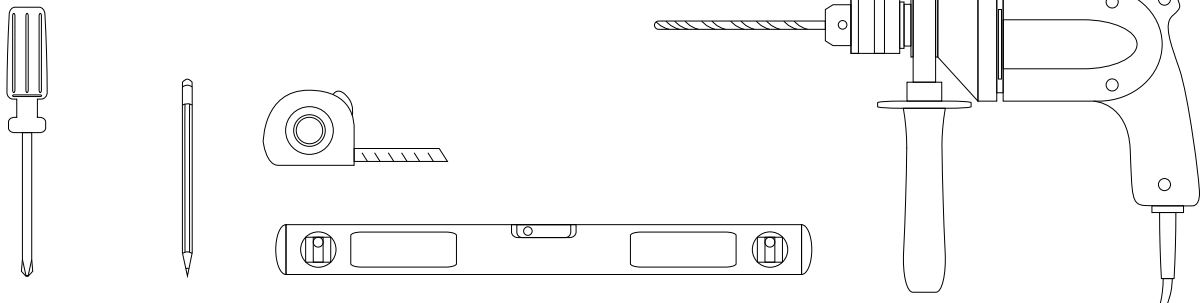
# HIGH CUPBOARD

Series Space

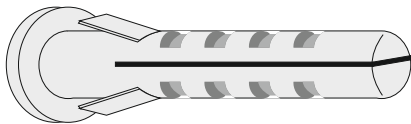
**Installation notes:**

Install this product according to the installation guide.  
Choose fitting hardware according to wall material.

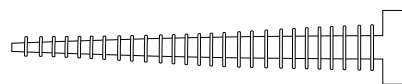
**Installation tools not included:**



**Parts supplied:**



**X4**



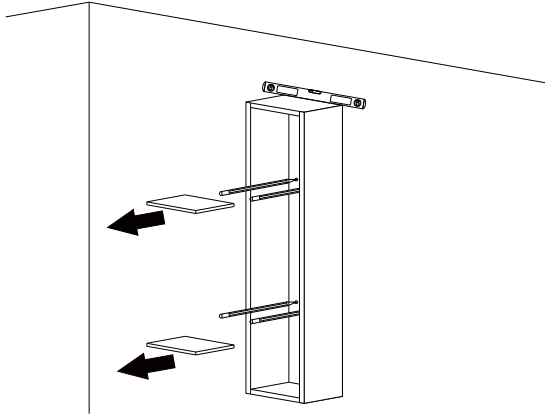
**X4**



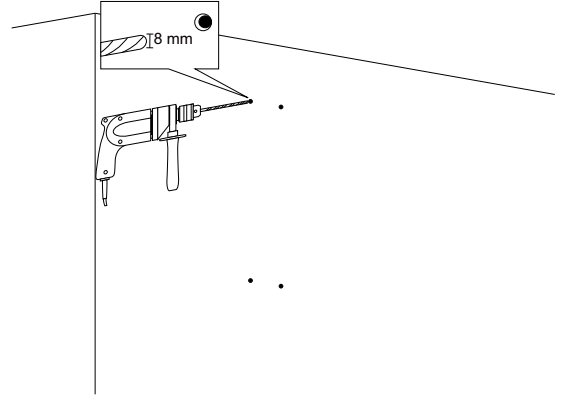
# HIGH CUPBOARD

Series Space

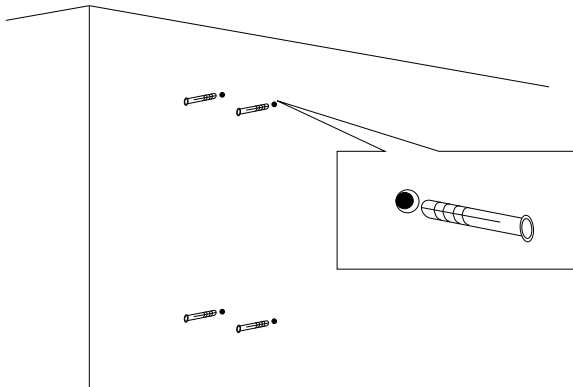
1



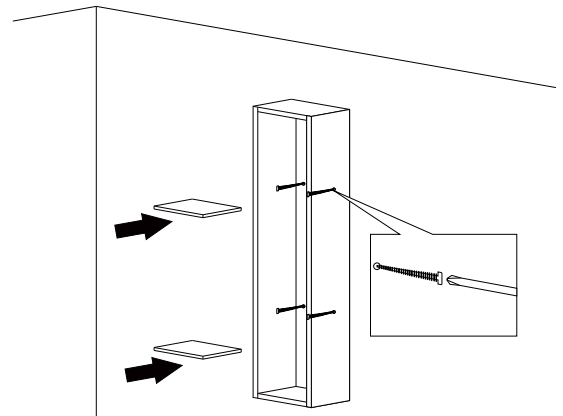
2



3



4



LUXURY ITALIAN

FURNITURE

It's all about the experience



BADEN HAUS S.p.A.  
SINCE 1979  
www.badenhaus.it

# HANGING CABINET

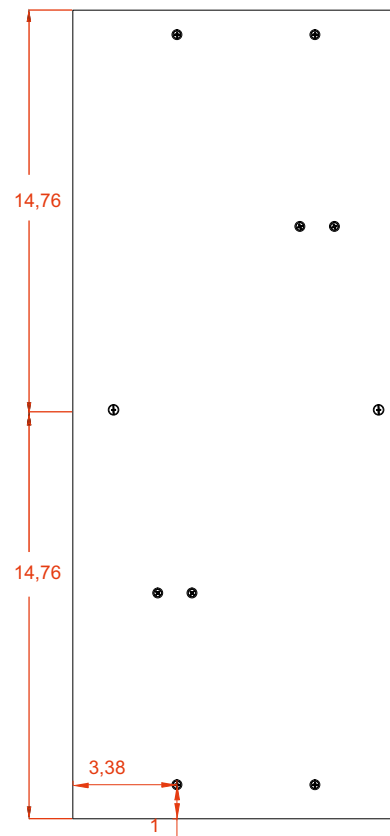
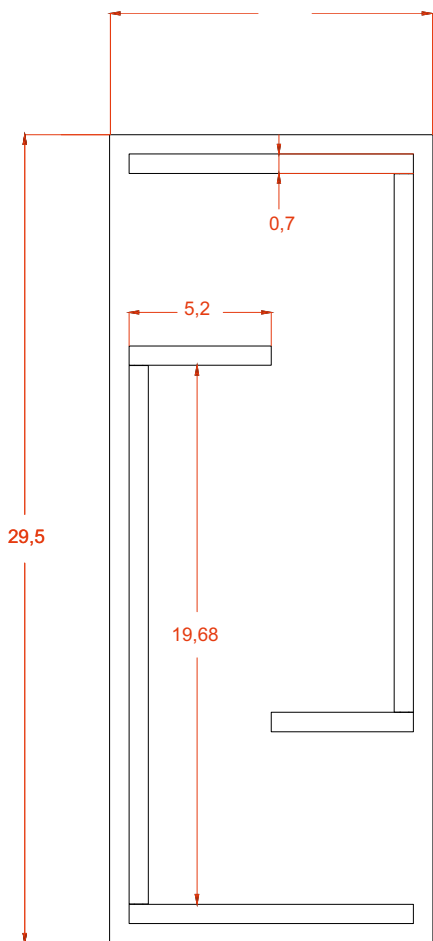
Series Space - Art. 55047/55048/55049/  
55050

**Features:**

Includes installation hardware

Side view

Back view





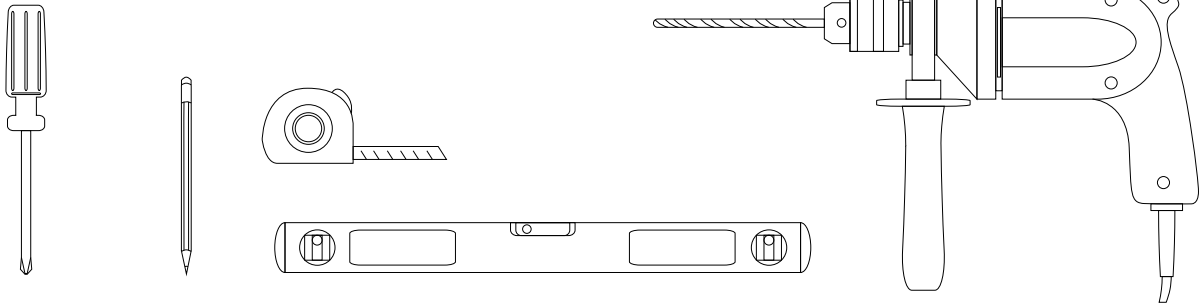
# HANGING CABINET

Series Space

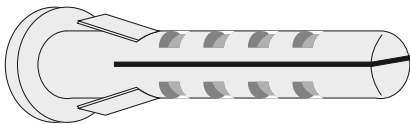
**Installation notes:**

Install this product according to the installation guide.  
Choose fitting hardware according to wall material.

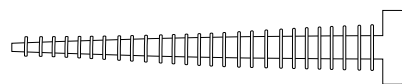
**Installation tools not included:**



**Parts supplied:**



**X4**



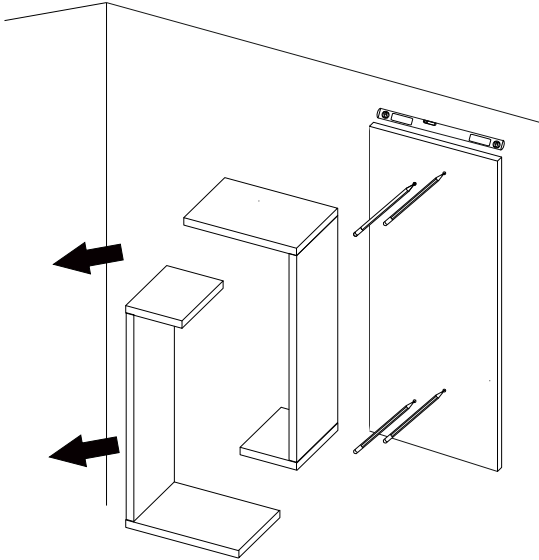
**X4**



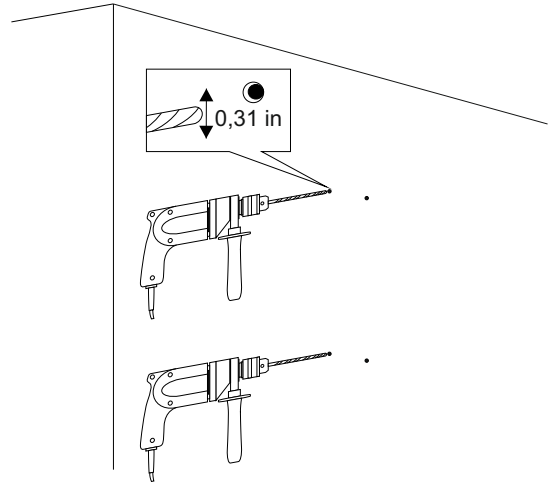
# HANGING CABINET

Series Space

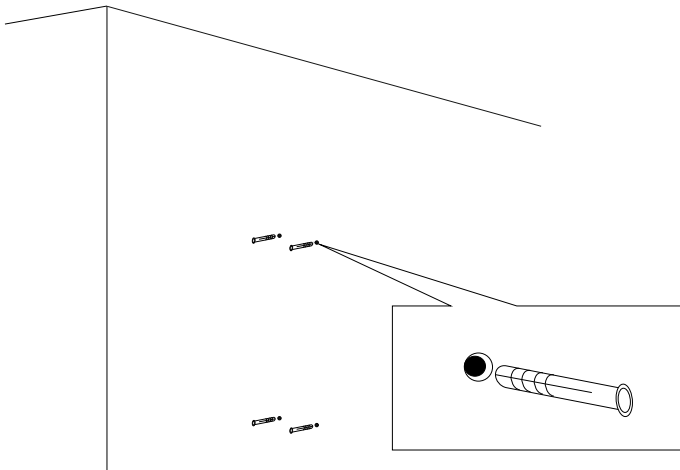
1



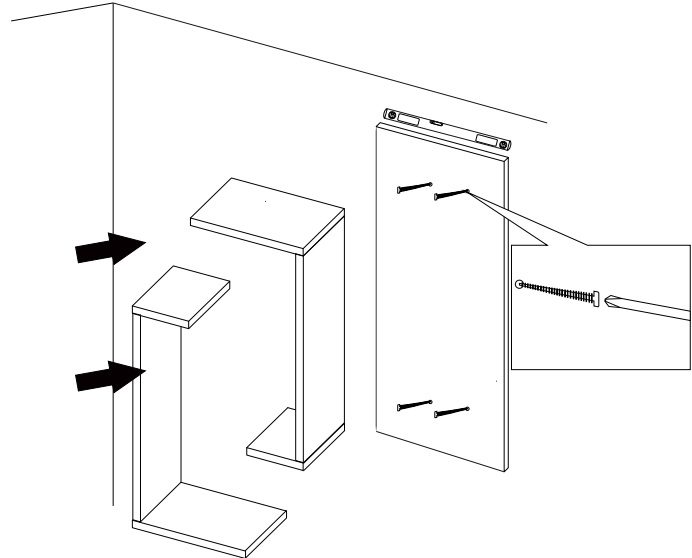
2



3



4



LUXURY ITALIAN

FURNITURE

It's all about the experience



BADEN HAUS S.p.A.  
SINCE 1979  
www.badenhaus.it

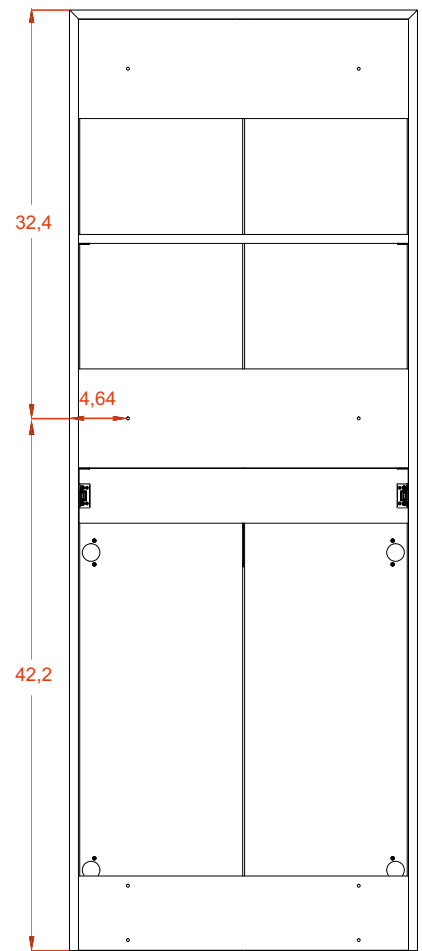
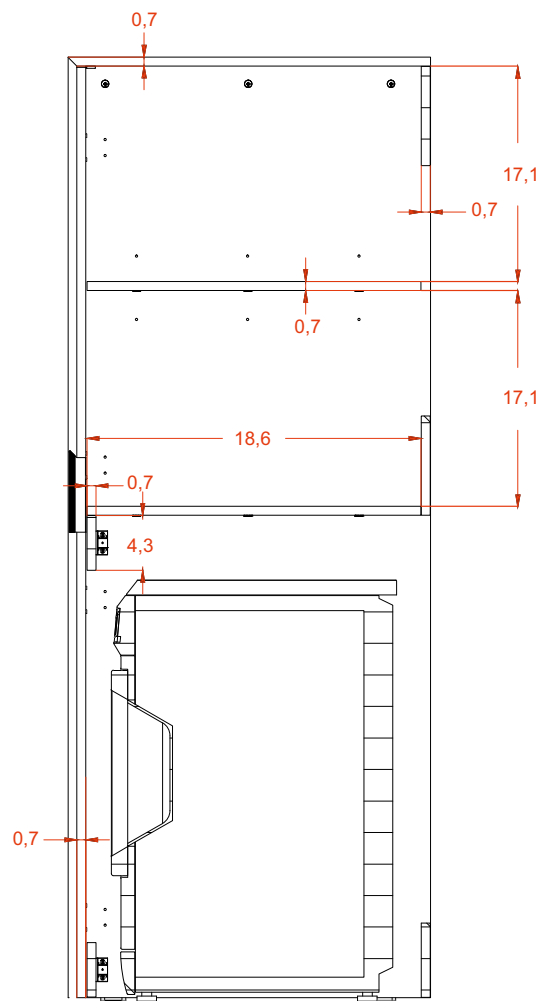
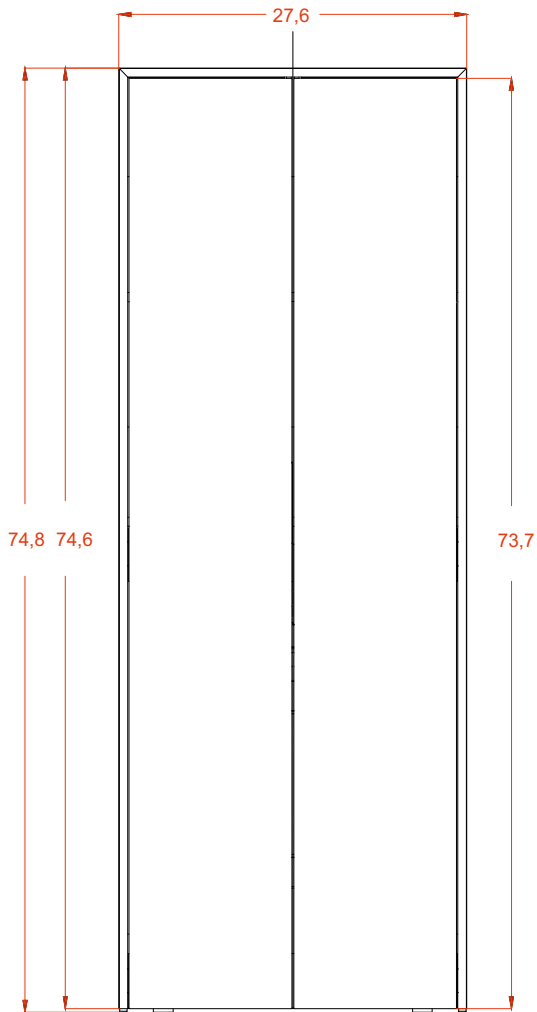
# HIGH CUPBOARD

Series Space - Art. 55043 /55044/55045  
55046

**Features:**  
Includes installation hardware

Side view

Back view





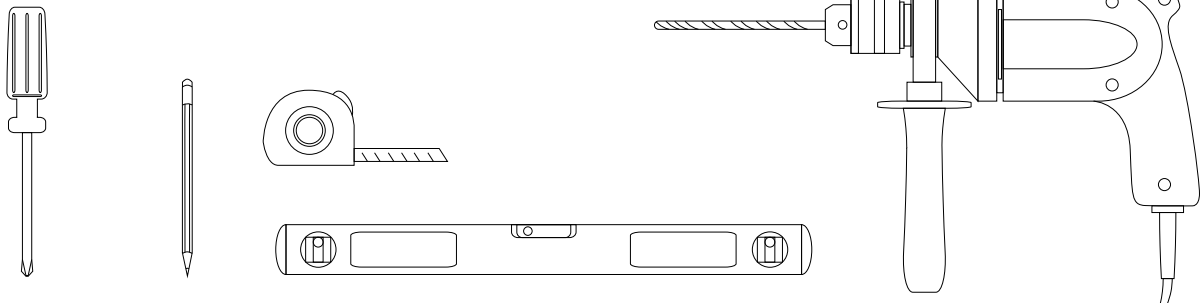
# HIGH CUPBOARD

Series Space

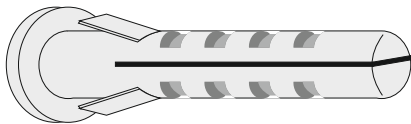
**Installation notes:**

Install this product according to the installation guide.  
Choose fitting hardware according to wall material.

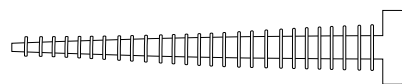
**Installation tools not included:**



**Parts supplied:**



**X4**



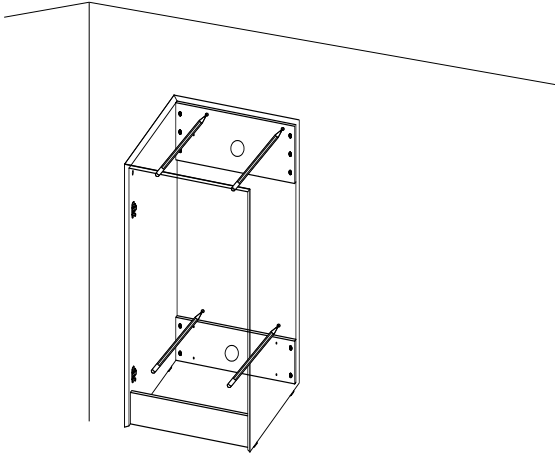
**X4**



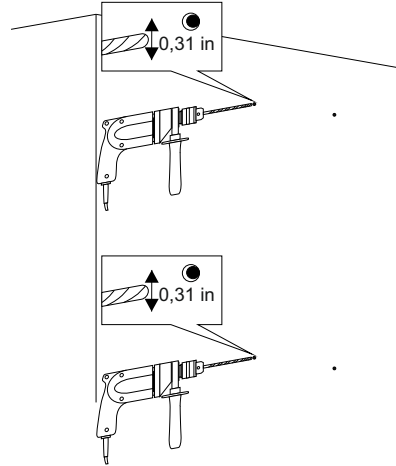
# HIGH CUPBOARD

Series Space

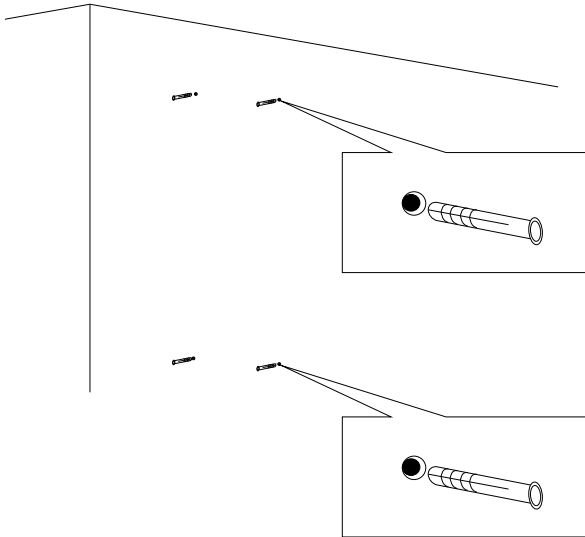
1



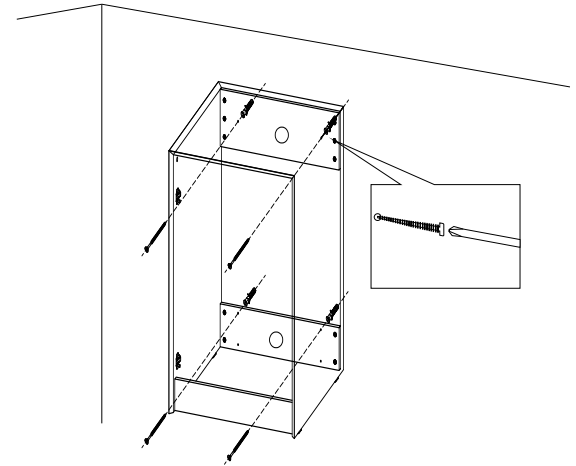
2



3



4





LUXURY ITALIAN

FURNITURE

It's all about the experience



BADEN HAUS S.p.A.  
SINCE 1979  
www.badenhaus.it

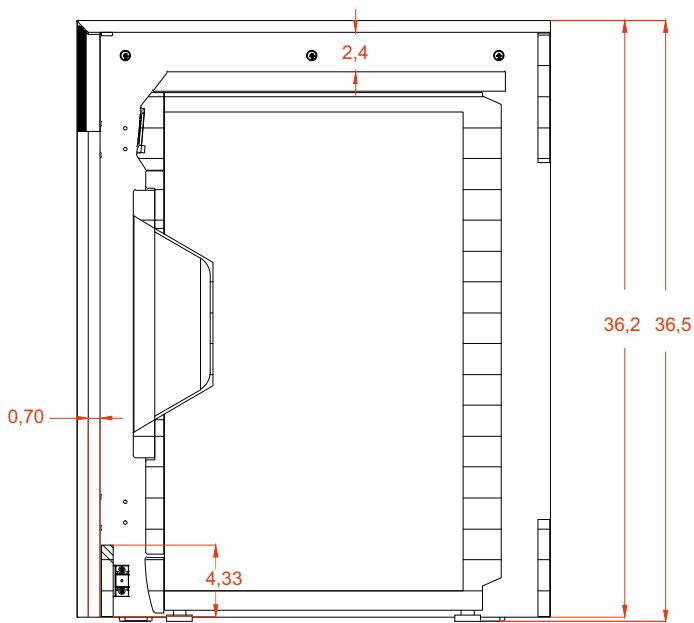
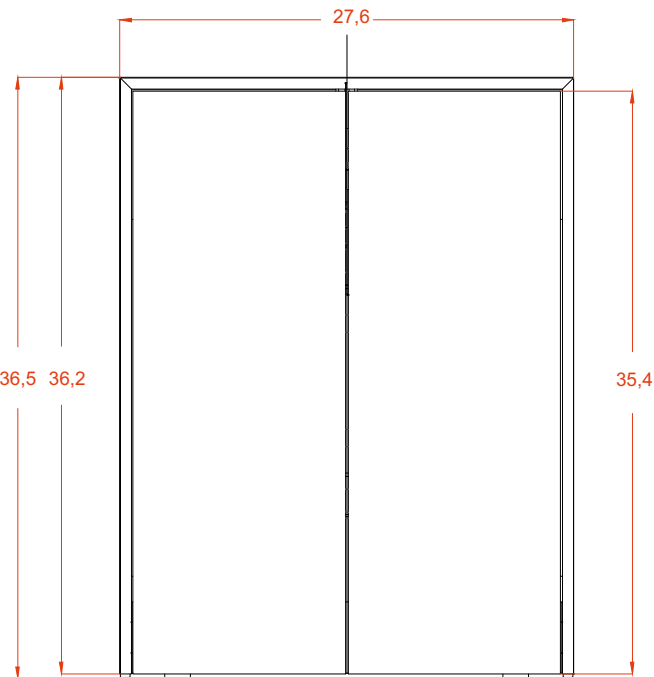
# CUPBOARD

Series Space - Art. 55039 /55040/55041  
55042

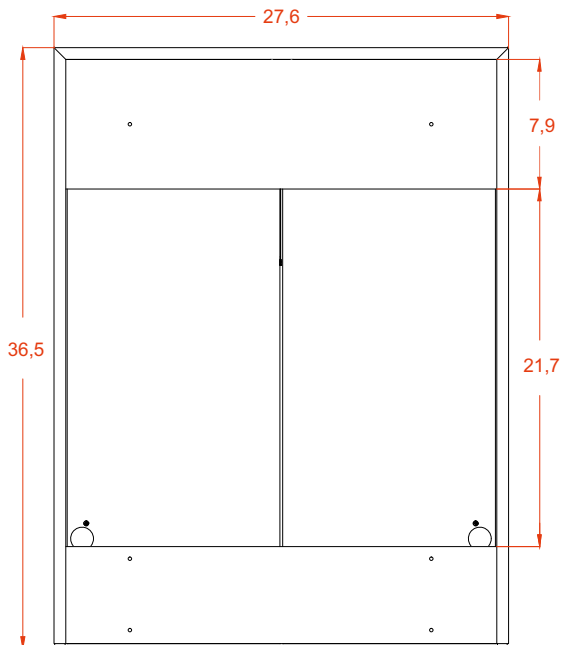
**Features:**

Includes installation hardware

Side view



Back view





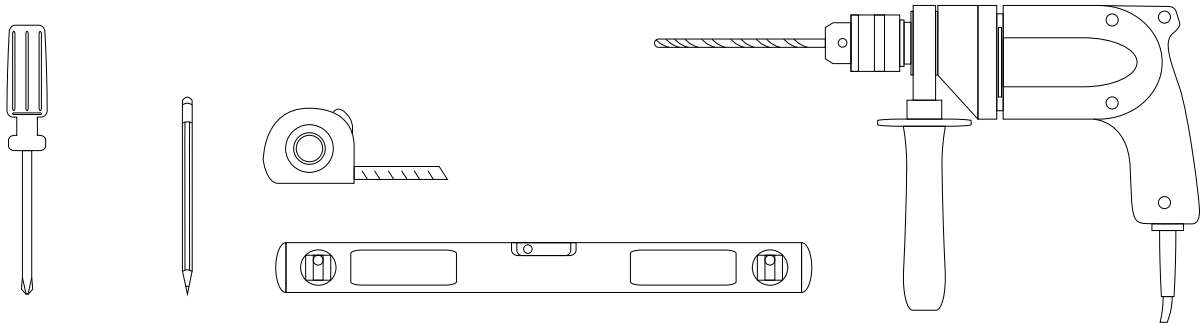
# CUPBOARD

Series Space

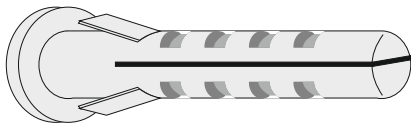
**Installation notes:**

Install this product according to the installation guide.  
Choose fitting hardware according to wall material.

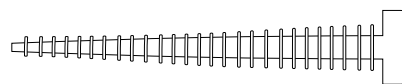
**Installation tools not included:**



**Parts supplied:**



**X4**



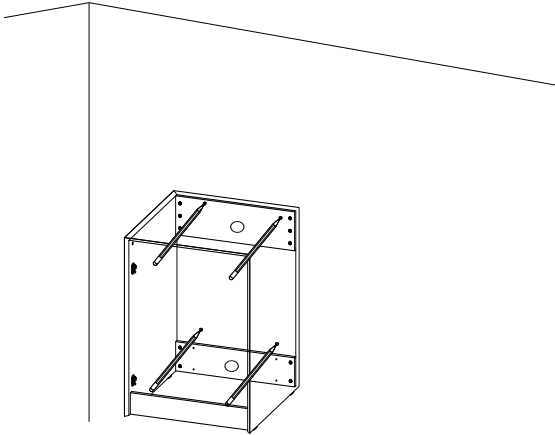
**X4**



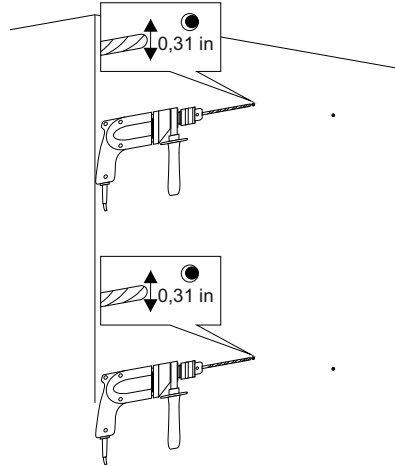
# CUPBOARD

Series Space

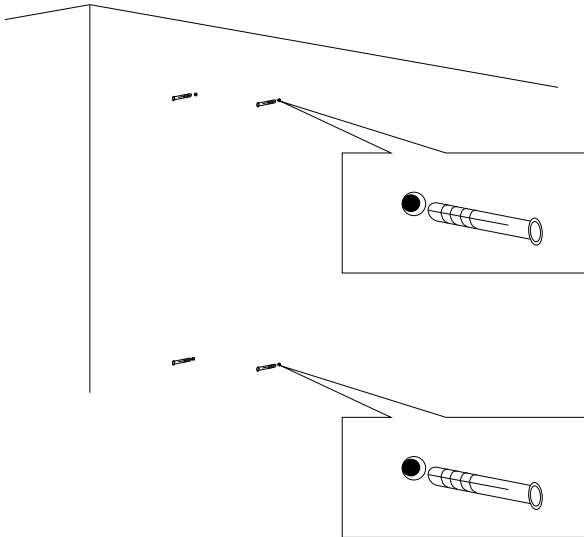
1



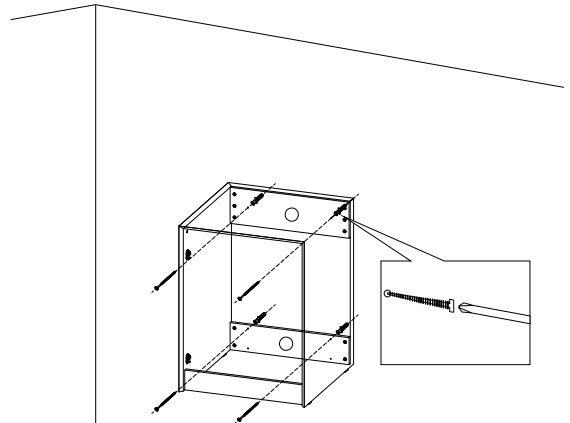
2



3



4



LUXURY ITALIAN

FURNITURE

It's all about the experience



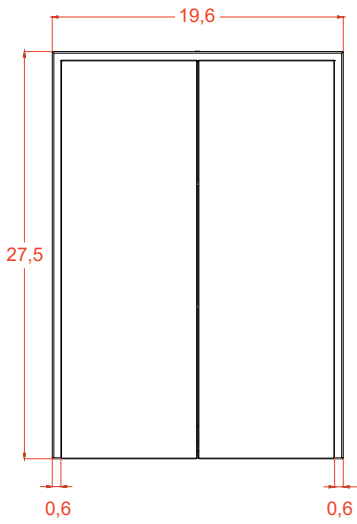
BADEN HAUS S.p.A.  
SINCE 1979  
www.badenhaus.it

# MIRROR

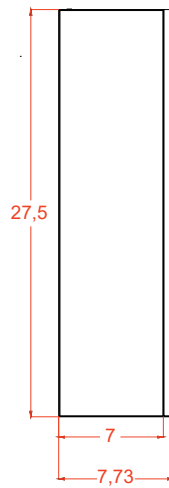
Series Space - Art. 88251

## Features:

- 36 W, 2900 Lm
- Includes adjustable support
- Fully finished backboard
- Includes installation hardware
- Metal frame

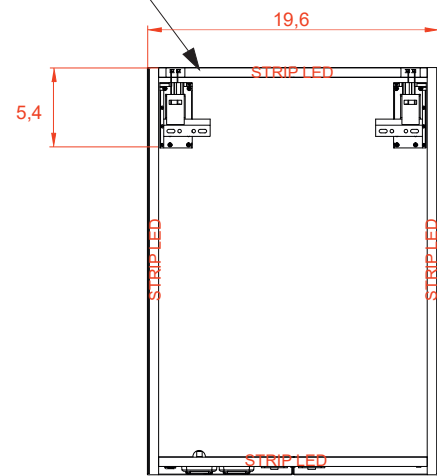


Side view



Space for transformer

Back view



LUXURY ITALIAN

FURNITURE

It's all about the experience



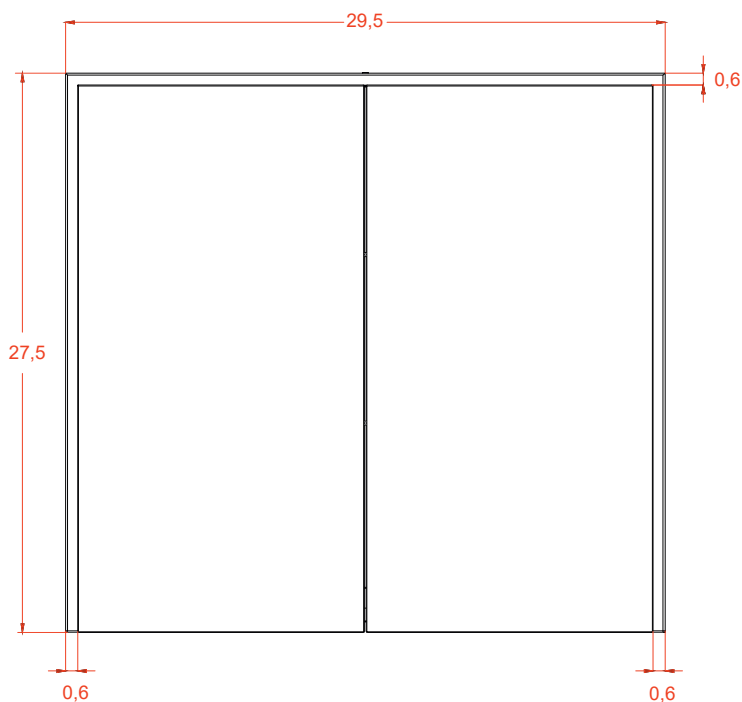
BADEN HAUS S.p.A.  
SINCE 1979  
www.badenhaus.it

# MIRROR

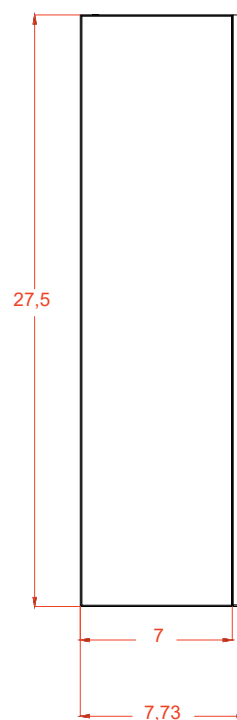
Series Space- Art. 88252

**Features:**

- 40 W, 3300 Lm
- Includes adjustable support
- Fully finished backboard
- Includes installation hardware
- Metal frame

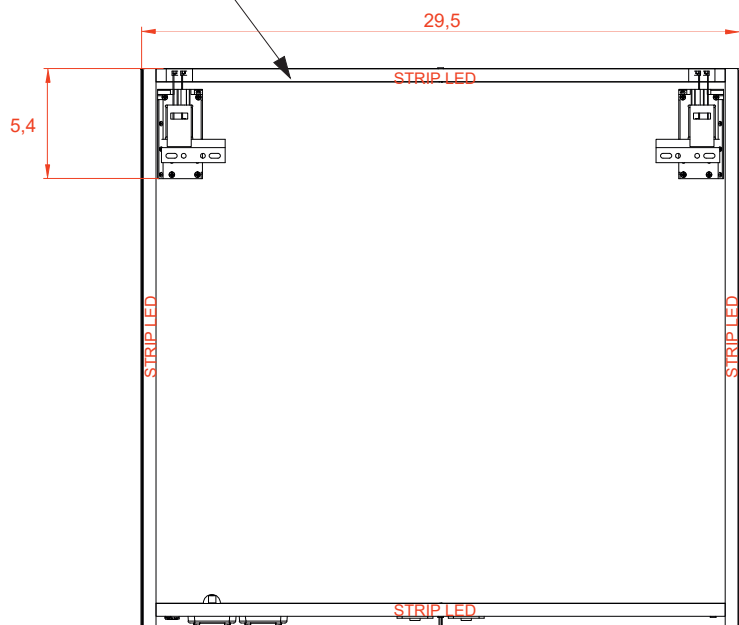


Side view



Space for transformer

Back view



LUXURY ITALIAN

FURNITURE

It's all about the experience



BADEN HAUS S.p.A.  
SINCE 1979  
www.badenhaus.it

# MIRROR

Series Space - Art. 88253

**Features:**

44 W, 3500 Lm

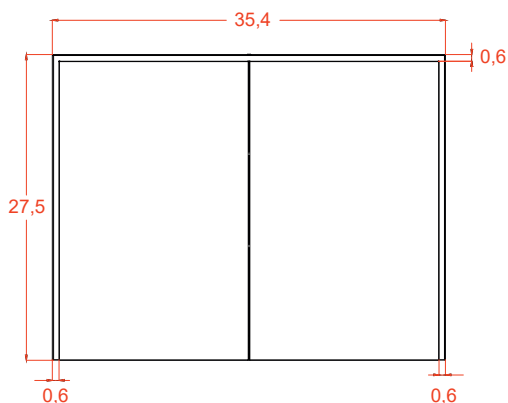
Includes adjustable support

Fully finished backboard

Includes installation hardware

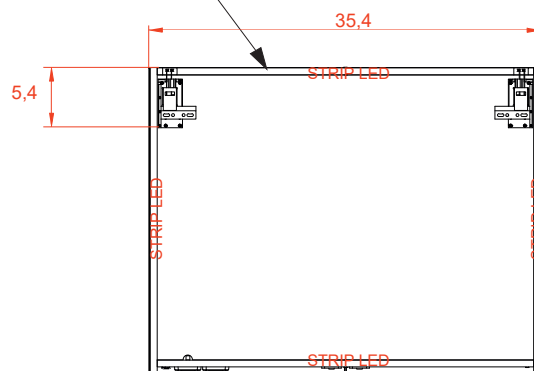
Micro-Density Fiberboard (MDF) construction

Side view



Space for transformer

Back view



LUXURY ITALIAN

FURNITURE

It's all about the experience



BADEN HAUS S.p.A.  
SINCE 1979  
www.badenhaus.it

# MIRROR

Series Space - Art. 88254

## Features:

49 W, 4000 Lm

Includes adjustable support

Fully finished backboard

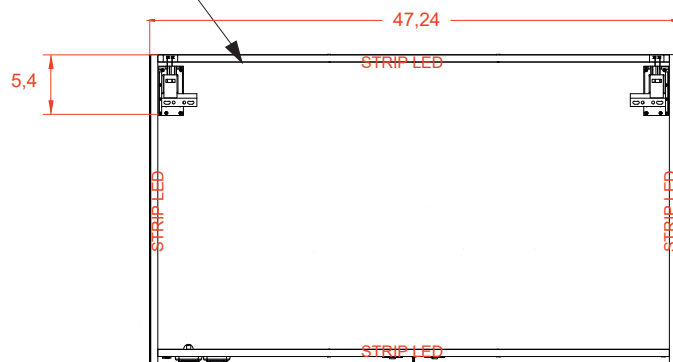
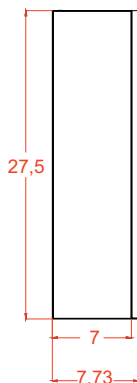
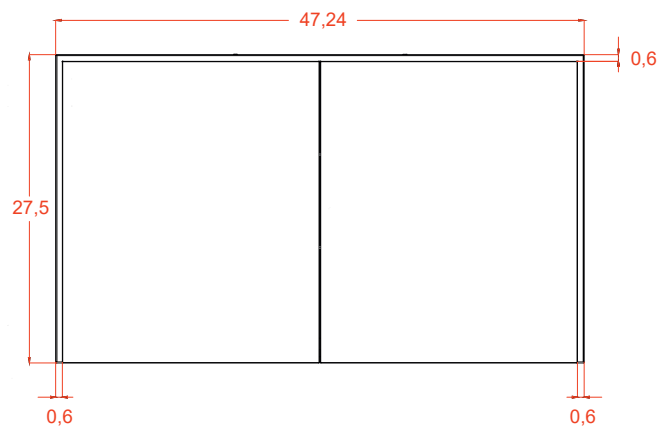
Includes installation hardware

Micro-Density Fiberboard (MDF) construction

Side view

Space for transformer

Back view





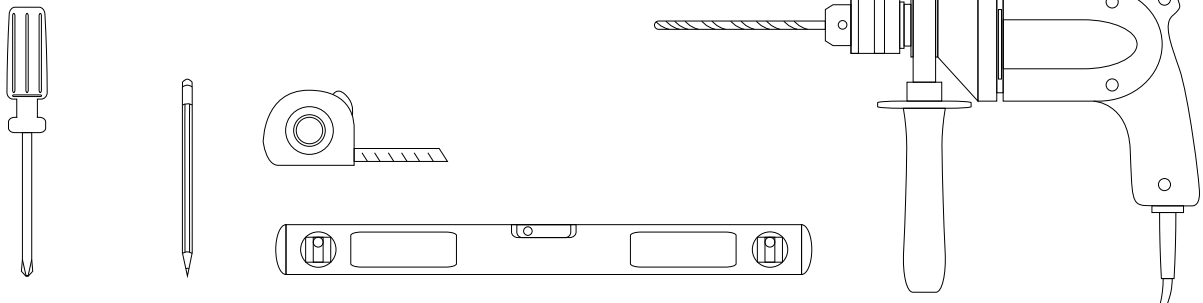
# MIRROR

Series

### Installation notes:

Install this product according to the installation guide  
Wall bracing and Baden Haus supplied hardware are recommended.

### Installation tools not included:



### Parts supplied:



x2

Hook 0,21in x 2,48in



x2

Nylon rawlplug 0,31 x 1,57in **suitable for brick wall**

## MIRRORS



Mirror lighting full-led, guarantee an energy saving of a 80/90% compared to a classic lighting incandescent or halogen and life of about 3/5 times higher.



The LED lighting can exceed 50.000 hours of activities, reducing the costs of maintenance. Not produce heat and withstand the high temperatures.

IP44 ☐ CE



Unlike normal halogen lamps, do not contain mercury and do not emit harmful UV rays for the health.

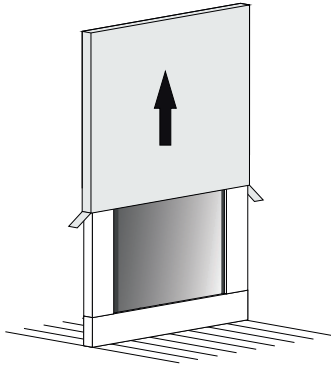




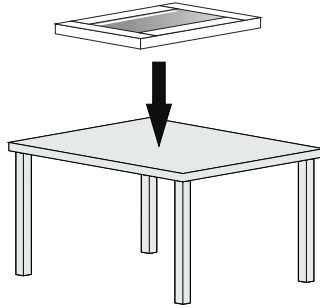
# MIRROR

Series

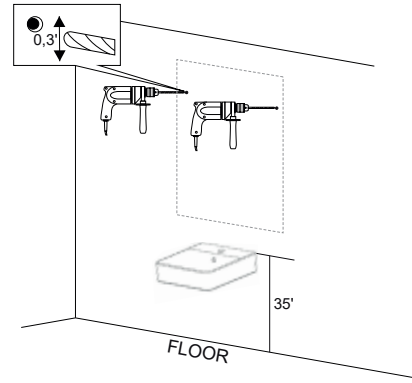
1



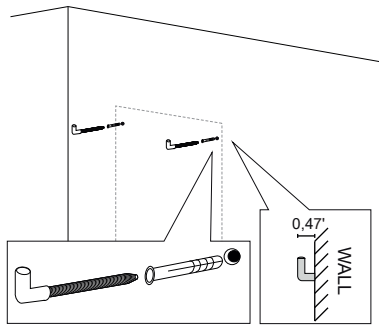
2



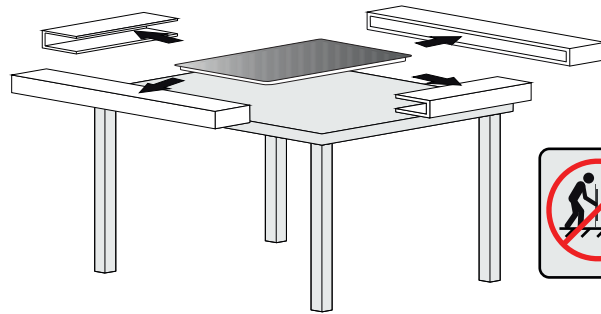
3



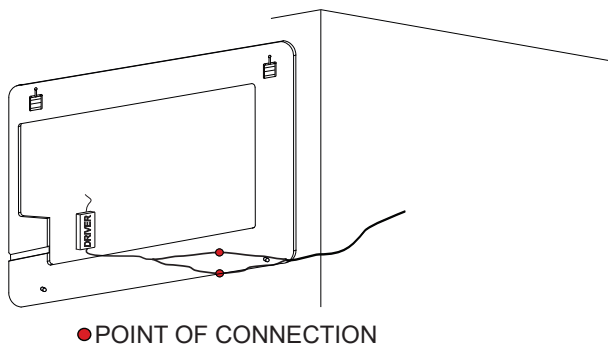
4



5

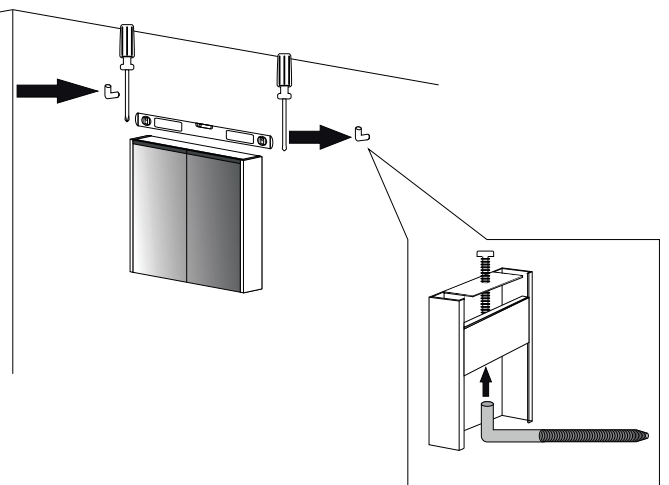


6



● POINT OF CONNECTION

7



The light source contained in this luminaire shall only be replaced by the manufacturer or his service agent or a similar qualified person.

LUXURY ITALIAN

FURNITURE

It's all about the experience



BADEN HAUS S.p.A.  
SINCE 1979  
www.badenhaus.it

# MIRROR

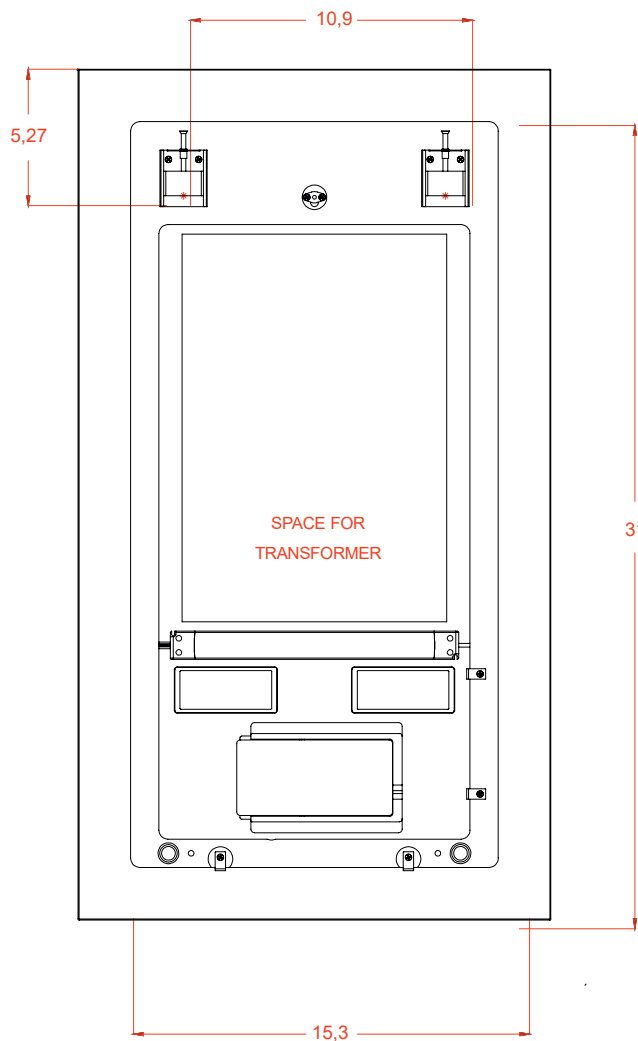
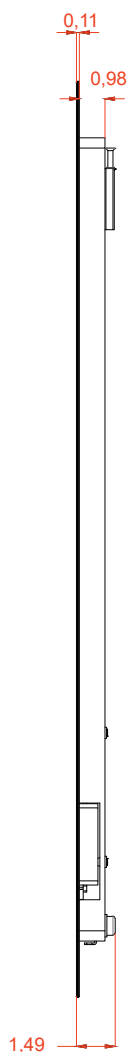
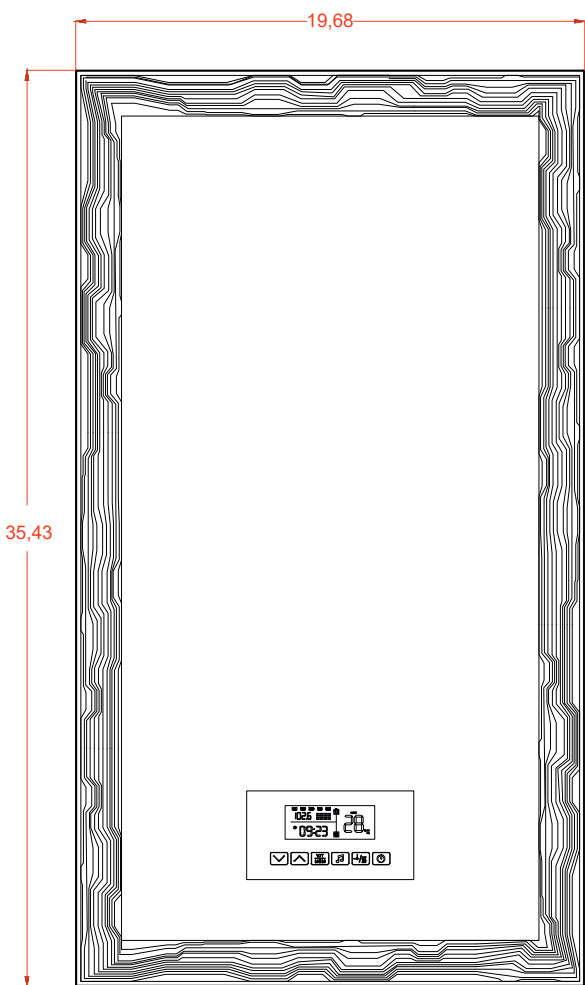
Series Space - Art. 45061-46027

**Features:**

- 30 W, 1150 Lm
- Includes adjustable support
- Fully finished backboard
- Includes installation hardware
- Metal frame

Side view

Back view



LUXURY ITALIAN

FURNITURE

It's all  
about the  
experience



BADEN HAUS S.p.A.  
SINCE 1979  
www.badenhaus.it

# MIRROR

Series Space- Art. 45062-46028

## Features:

33 W, 1300 Lm

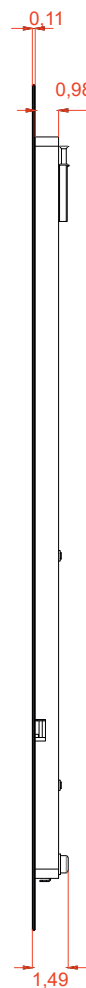
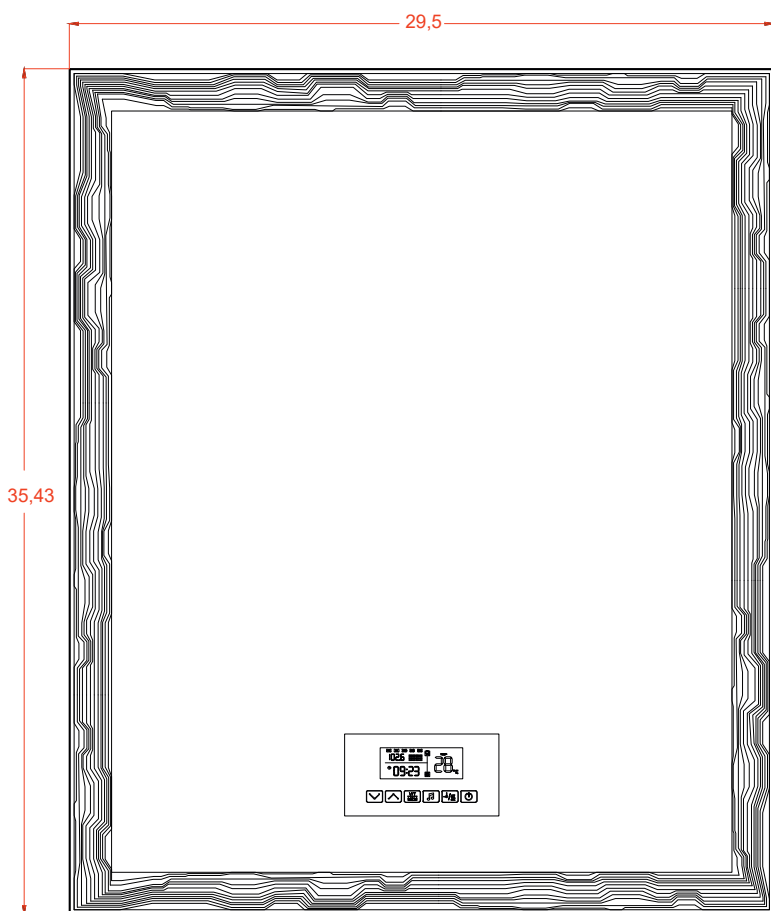
Includes adjustable support

Fully finished backboard

Includes installation hardware

Metal frame

Side view



LUXURY ITALIAN

FURNITURE

It's all about the experience



BADEN HAUS S.p.A.  
SINCE 1979  
www.badenhaus.it

# MIRROR

Series Space- Art. 45062-46028

**Features:**

33 W, 1300 Lm

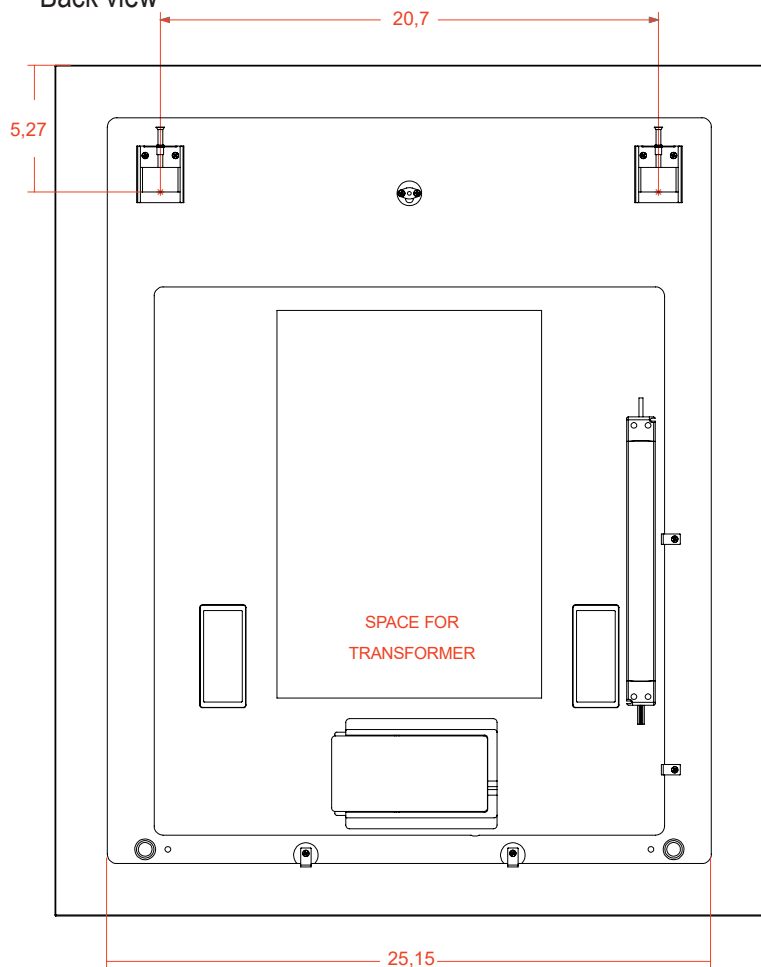
Includes adjustable support

Fully finished backboard

Includes installation hardware

Metal frame

Back view



LUXURY ITALIAN

FURNITURE

It's all about the experience



BADEN HAUS S.p.A.  
SINCE 1979  
www.badenhaus.it

# MIRROR

Series Space - Art. 45063-46029

## Features:

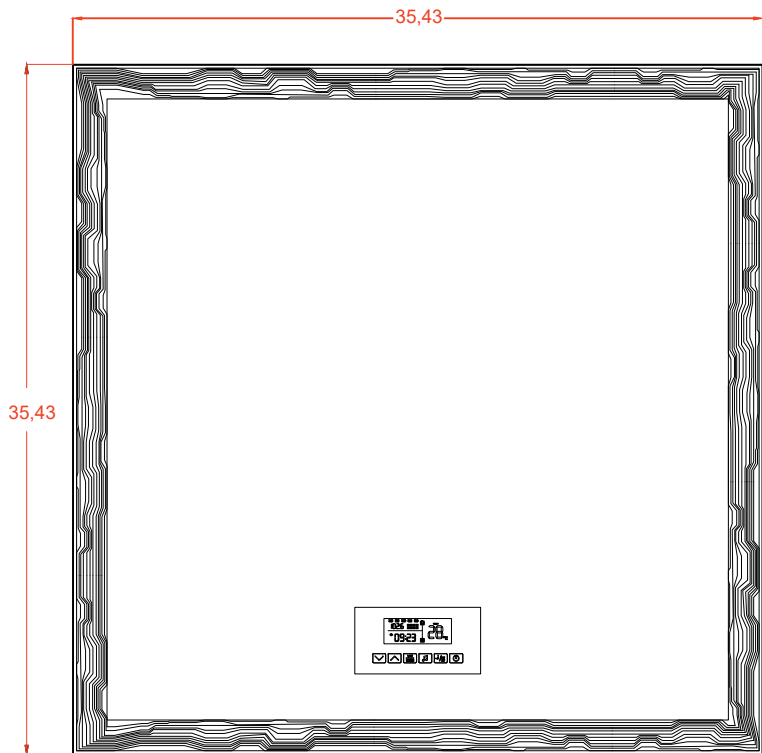
36 W, 1490 Lm

Includes adjustable support

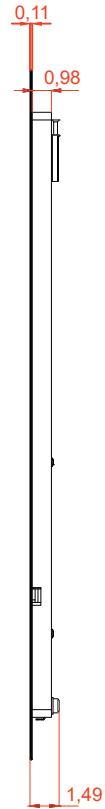
Fully finished backboard

Includes installation hardware

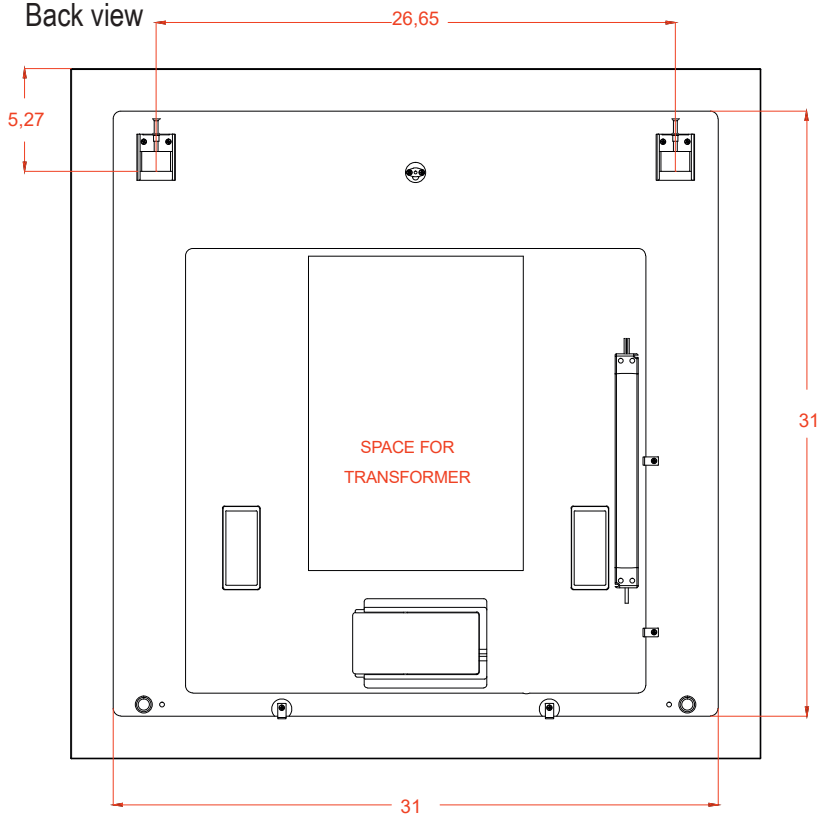
Micro-Density Fiberboard (MDF) construction



Side view



Back view



LUXURY ITALIAN

FURNITURE

It's all about the experience



BADEN HAUS S.p.A.  
SINCE 1979  
www.badenhaus.it

# MIRROR

Series Space - Art. 45064-46030

## Features:

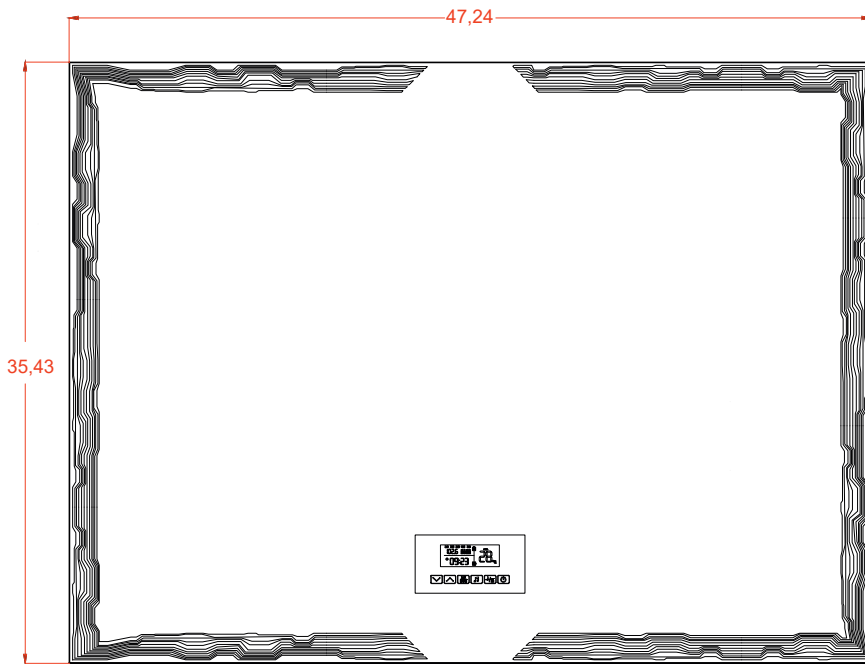
40 W, 1700 Lm

Includes adjustable support

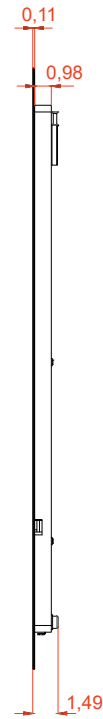
Fully finished backboard

Includes installation hardware

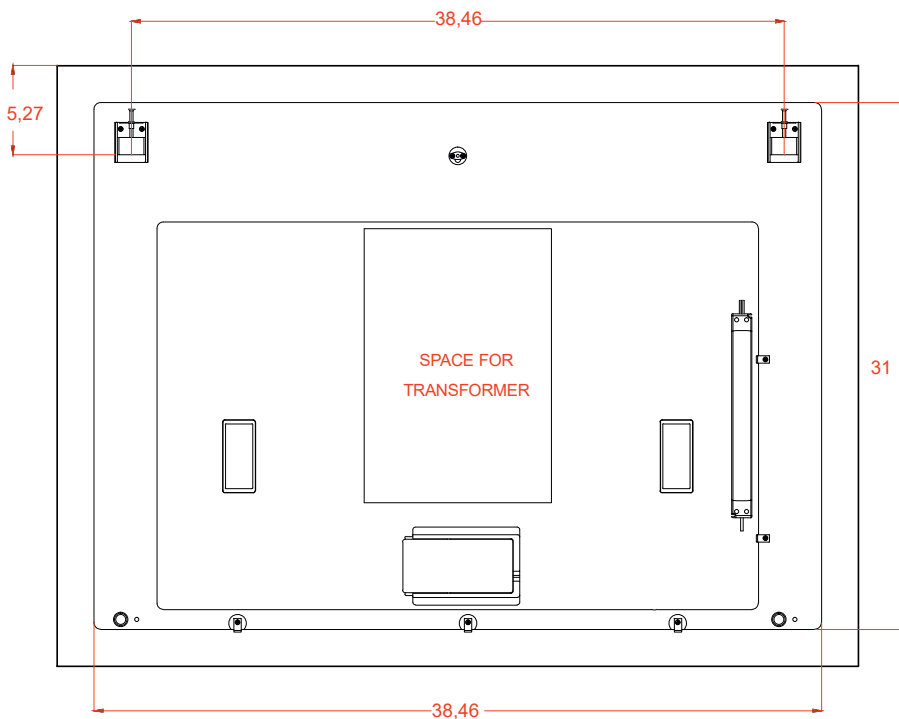
Micro-Density Fiberboard (MDF) construction



Side view



Back view





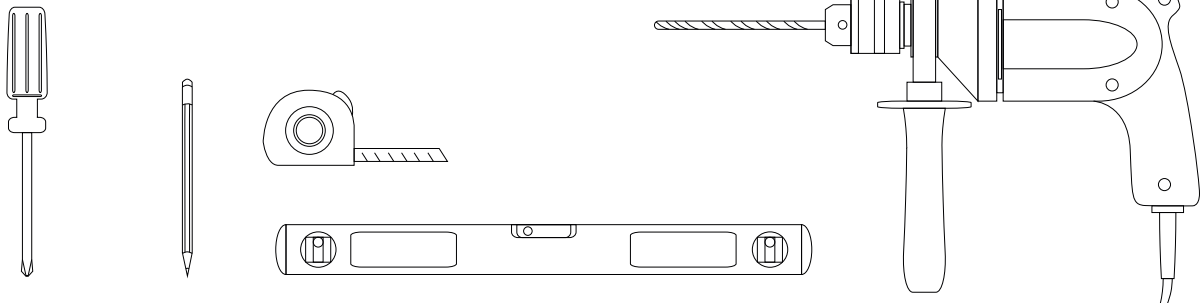
# MIRROR

Series

### Installation notes:

Install this product according to the installation guide  
Wall bracing and Baden Haus supplied hardware are recommended.

### Installation tools not included:

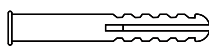


### Parts supplied:



x2

Hook 0,21in x 2,48in



x2

Nylon rawlplug 0,31 x 1,57in **suitable for brick wall**

## MIRRORS



Mirror lighting full-led, guarantee an energy saving of a 80/90% compared to a classic lighting incandescent or halogen and life of about 3/5 times higher.



The LED lighting can exceed 50.000 hours of activities, reducing the costs of maintenance. Not produce heat and withstand the high temperatures.

IP44 ☐ CE



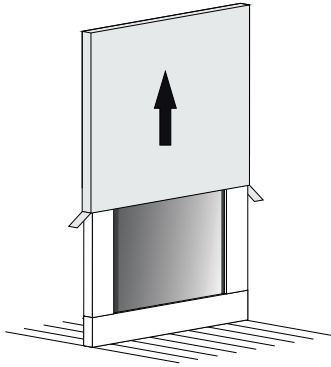
Unlike normal halogen lamps, do not contain mercury and do not emit harmful UV rays for the health.



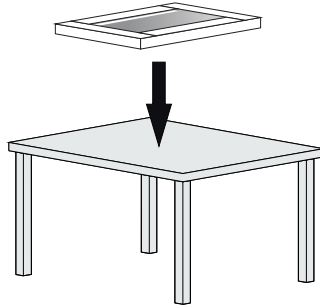
# MIRROR

Series

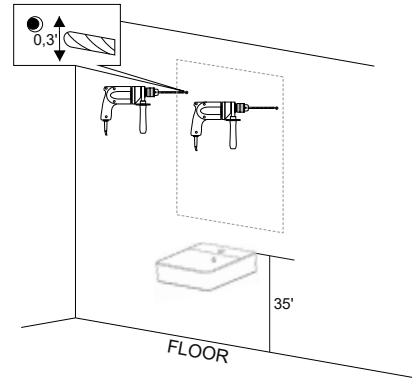
1



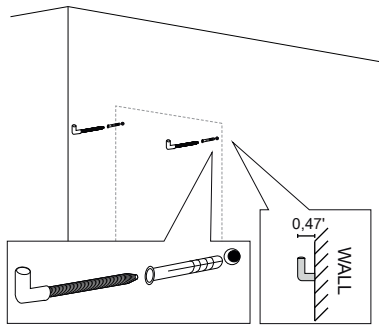
2



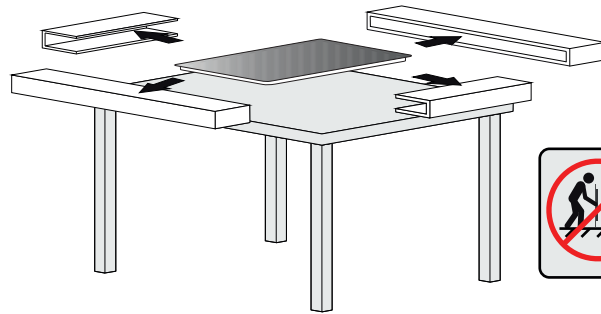
3



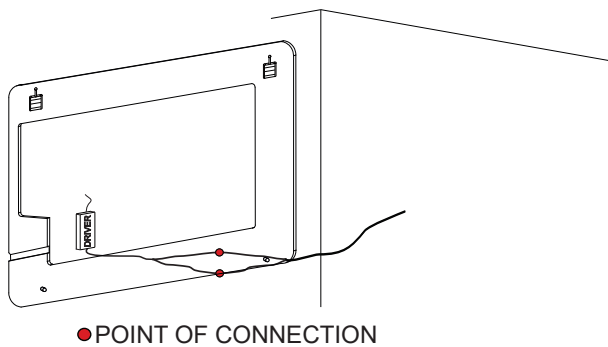
4



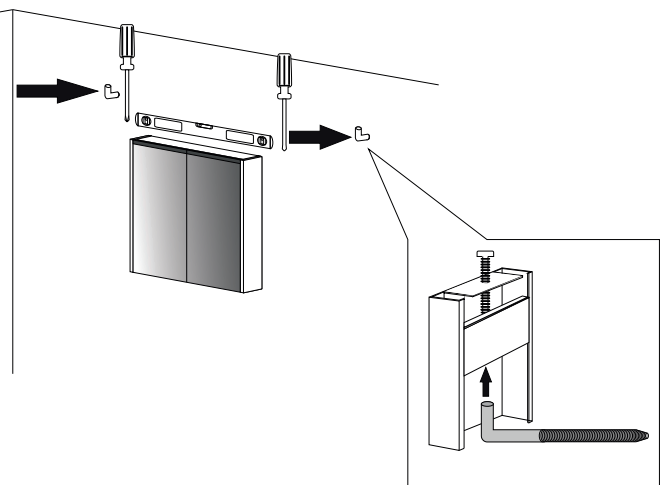
5



6



7



The light source contained in this luminaire shall only be replaced by the manufacturer or his service agent or a similar qualified person.

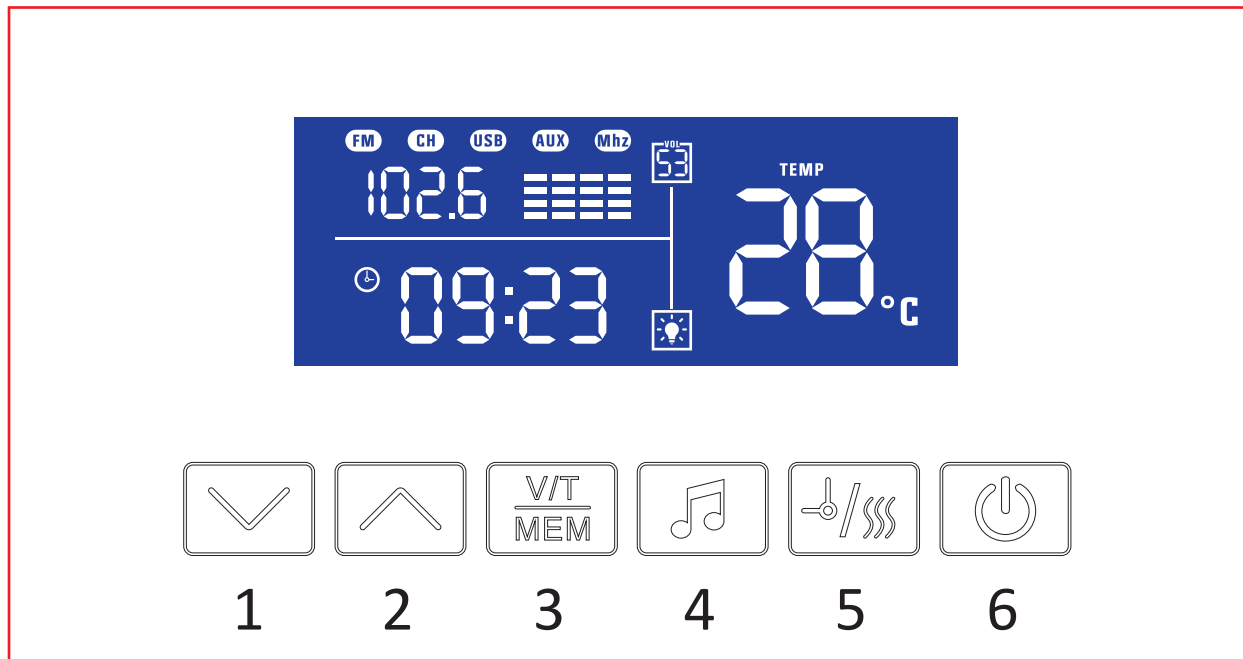




# MIRROR

Series

## Instructions for using the multimedia display



Press the button 6 to power on: the system turns on the main screen and the button backlight display. After 5 seconds, the system automatically displays the current temperature and time; when the system is turned on, press the 6 button to control the opening and closing of mirror light. The display sync symbol is displayed; long press 6 for 3 seconds to turn off the system, the display and all current functions are turned off.

Press the button 5 to turn on/off the defogger and to enter the system's clock setting: pressing the button 5 the defogger is turned on/off. When in on, in the display is visible the defogger symbol.

To enter the system's clock setting, press the button 5 for 3 seconds: the clock displays the hour's number flashing. When the flashing is pressed, you can adjust the hour value by pressing the 1 or 2 button. After adjusting, press the 5 button again. The number of 'minutes' is flashing. When flashing, you can adjust the minute value by pressing the 1 or 2 button. After the adjustment, the clock setting is completed after the number is no longer flashing.

Press the 4 button to turn on the radio or bluetooth playback function: the digital area at the top left of the display will show the current station number and frequency or bluetooth connection status; long press 4 button for 3 seconds to turn off the radio or bluetooth playback function, there is no display in this area.

When the radio function is on: long press button 3 for 3 seconds, the system will automatically search and store the radio, then press button 1 or 2 to select the favourite station; when the radio or bluetooth playback is on, press the button 3 once, the outer frame of the volume value flashes. Press the 1 button or the 2 button to adjust the volume. When the radio is turned on, press the 3 button again. At this time, the audio frequency number starts flashing on display, pressing the 1 or 2 button can manually adjust the current audio frequency; after the adjustment is completed, press 3 button once the store the frequency to last position.

Press the 4 button to switch the radio to the bluetooth playback state: the display shows '1-6t' and continue flash. After the speaker emits a 'beep', the bluetooth function is fully turned on and enters the searchable state. Bluetooth function and search for the 'Pk3015' device to connect, after the connection is successful, the software in the phone play music and play it on the system via bluetooth connection; during the period, you can press the 1 or 2 button to play the previous track or the next track; press the 3 button to adjust the volume by pressing the 1 or 2 button while the volume is flashing.



# MIRROR

Series

## Electrical connections

