



ONDA

Series

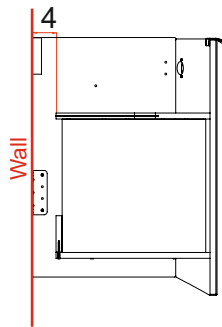
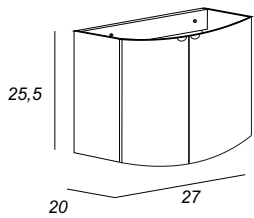
Features:

- Doors with BLUM hinges, with aluminium handles
- Fully finished interior
- Includes installation hardware
- Medium Density Fiberboard Construction (MDF)
- The PVC finish resists moisture and scratches

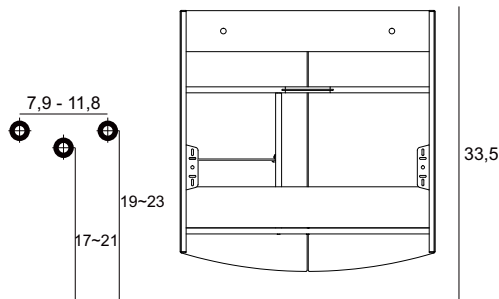
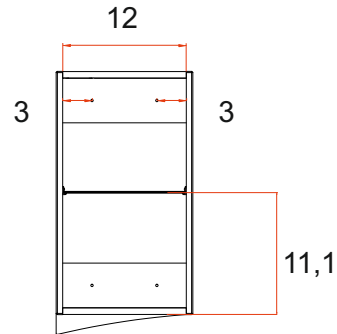
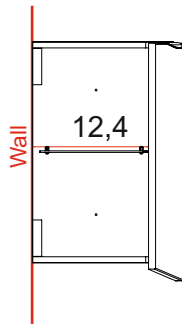
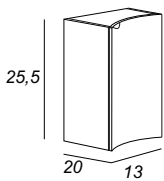
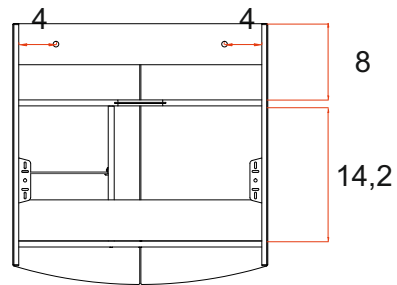
Notes:

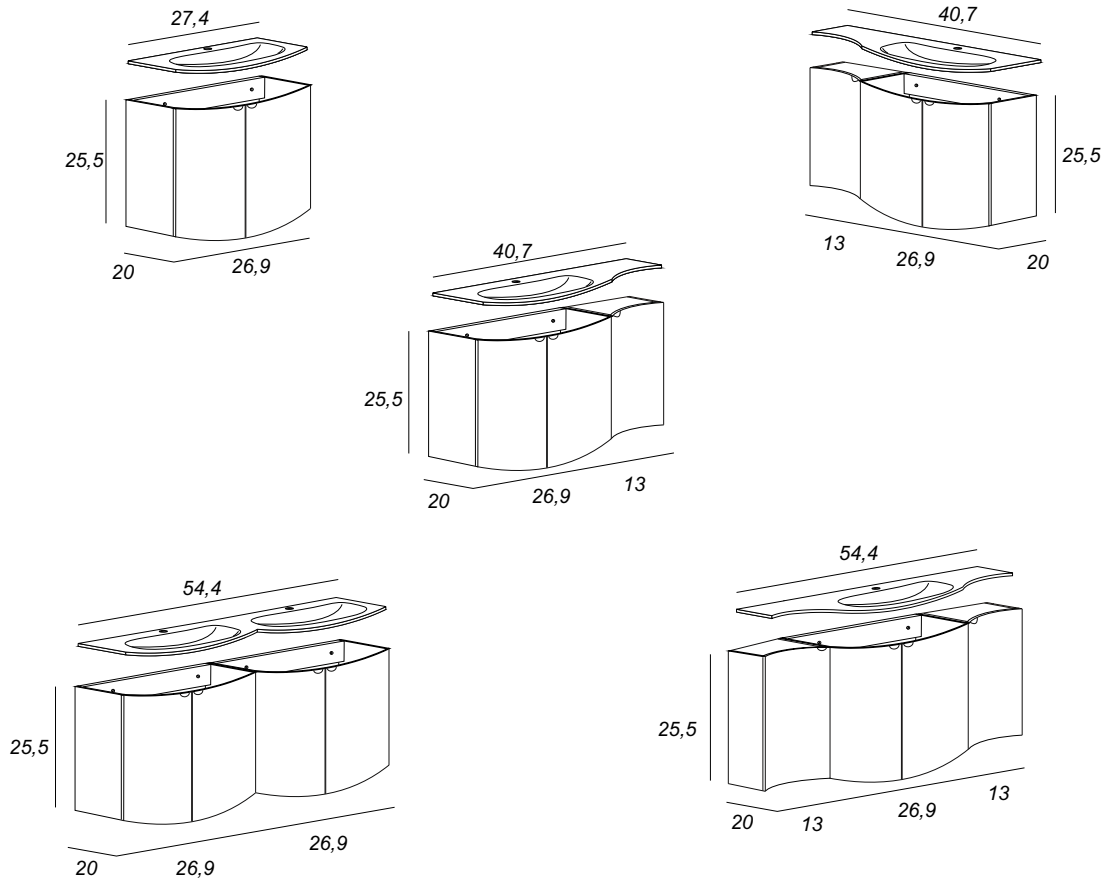
All sizes of vanities are subject to tolerance, +/- 0.40 inches

Side view for plumbing



Back view for plumbing





FURNITURE CHARACTERISTIC



Cabinet in MDF, sides thickness 0,63in, doors and drawers 0,75in, coated in PVC 0,01in waterproof and scratchproof that guarantee long life and reliability.



Slides used in furnitures allow soft closing.



Resin washbasin thickness 0,47in impact resistant.
 Glass washbasin extra-light white thickness 0,59in and resistant to high temperature and impacts.



It is not necessary to assemble the cabinet (product not in kit).

MIRRORS



Mirror lighting full-led, guarantee an energy saving of a 80/90% compared to a classic lighting incandescent or halogen and life of about 3/5 times higher.



The LED lighting can exceed 50.000 hours of activities, reducing the costs of maintenance. Not produce heat and withstand the high temperatures.

IP44 ☐ CE



Unlike normal halogen lamps, do not contain mercury and do not emit harmful UV rays for the health.

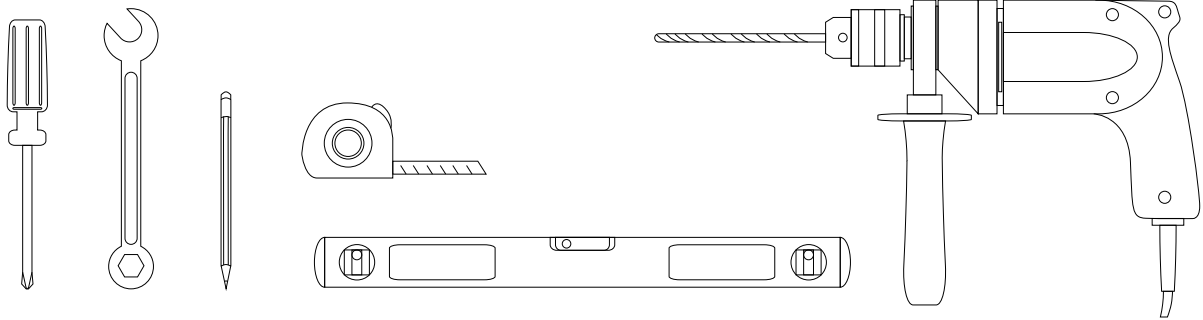
Installation notes:

Install this product according to the installation guide. Special site preparation is required.

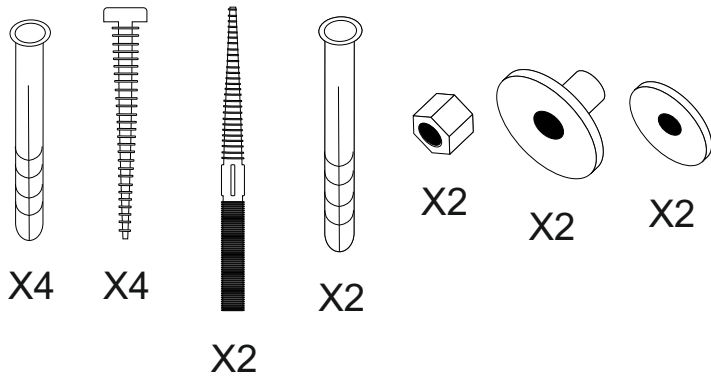
Wall bracing and Baden Haus supplied hardware are recommended.

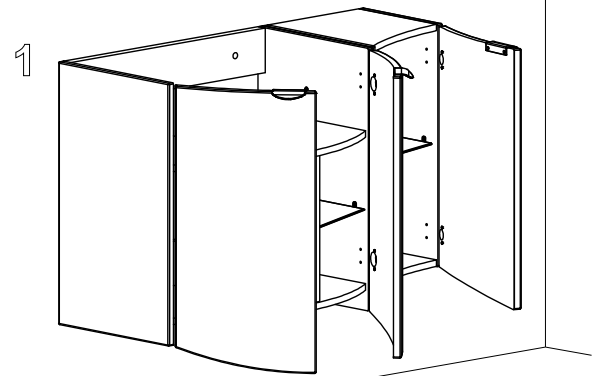
The plumbing must be roughed into the plumbing cutout area of the vanity.

Refer to the sink rough-in and the vanity rough-in for proper placement. The water supply and drain lines must be installed before installing the vanity.

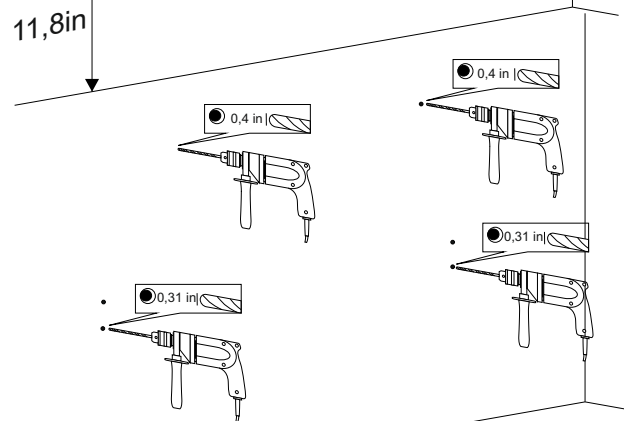
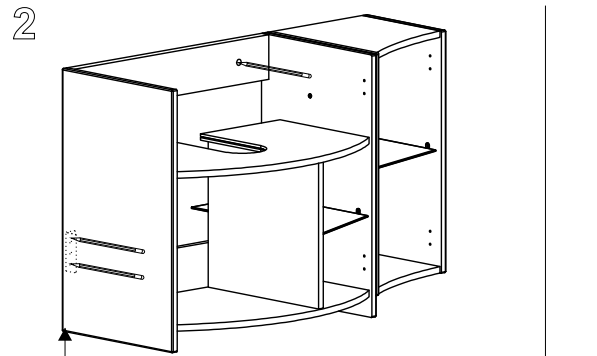
Installation tools not included:

Materials Included:

- 4 short nylon rawlplug
- 4 short screws
- 2 long nylon rawlplug
- 2 acorn nut
- 2 nylon washer
- 2 metal washer




Step 2

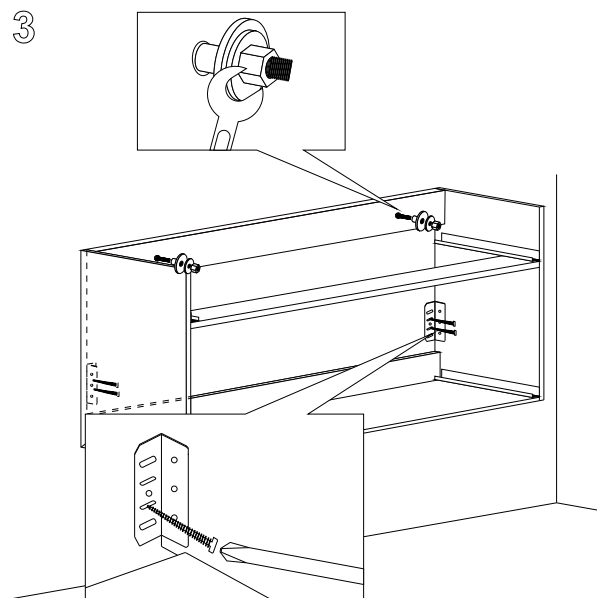
Determine the ideal location of your new vanity.
 Mark the holes and drill pilot holes in the dry wall.


Step 3

Place the vanity frame on the finished wall and install
 at the locations drilled with the screws shown in Figure 3:

The long nylon raw for the long screw with nylon washer
 and metal washer and fix with acorn nut.

The short nylon raw for the short screw.



Installation notes:

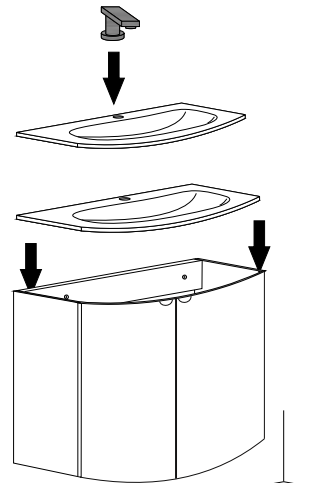
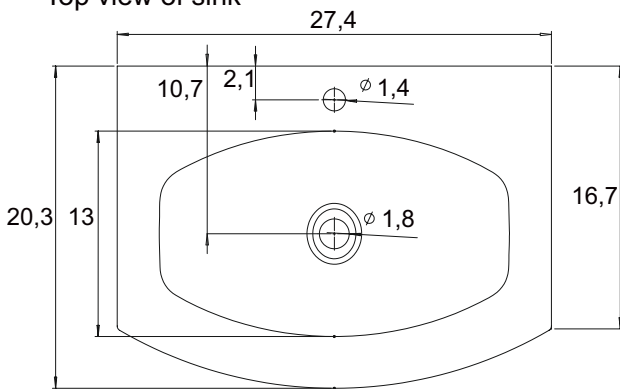
Faucet and silicone are not included.
 All sizes of sinks are subject to tolerance:
 +/- 0.40 inches (ceramic) and +/- 0.20
 inches (glass and resin)

Sink assembly

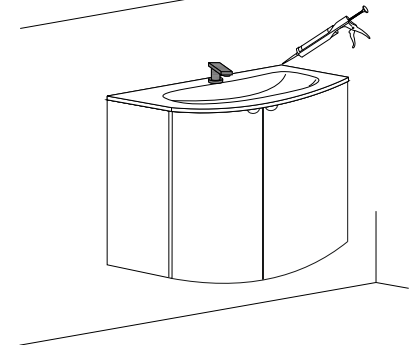
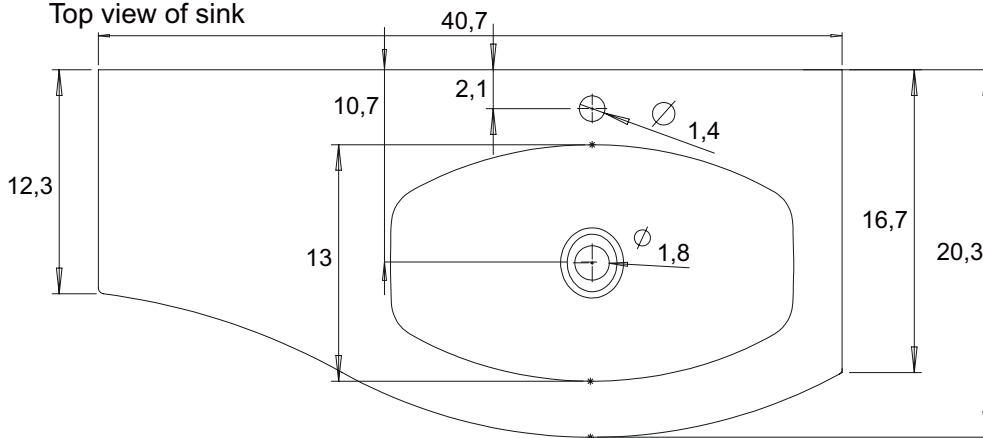
Install the faucet to the top and drains to the sink. Refer to the faucet and drain manufacturer's instructions.
 Complete the faucet connections. Run water and check for leaks.
 Apply a bead of silicone behind the top surface to the finished wall.

RESIN BASIN ART. 50158

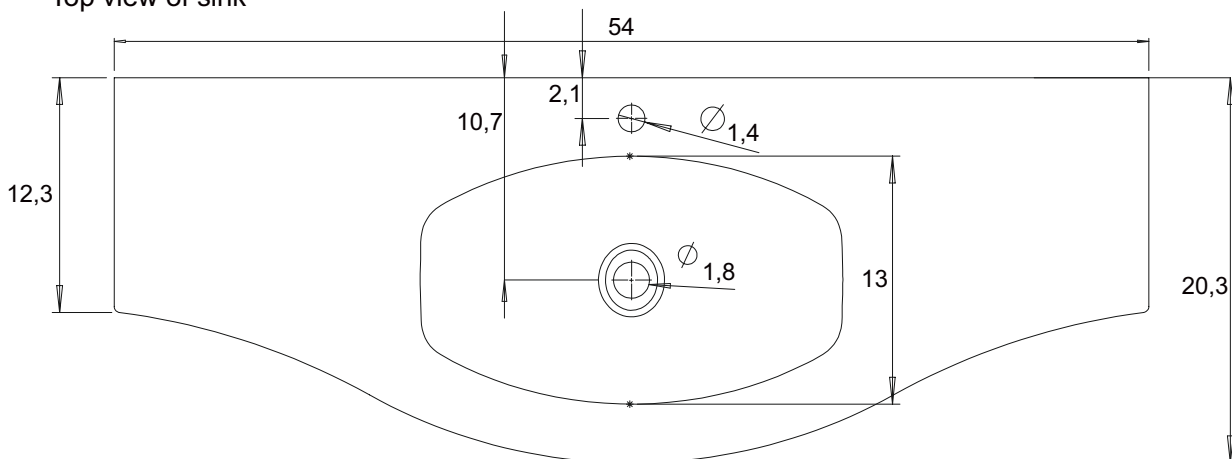
Top view of sink


RESIN BASIN ART. 50154 - 50153

Top view of sink


RESIN BASIN ART. 50155

Top view of sink



Installation notes:

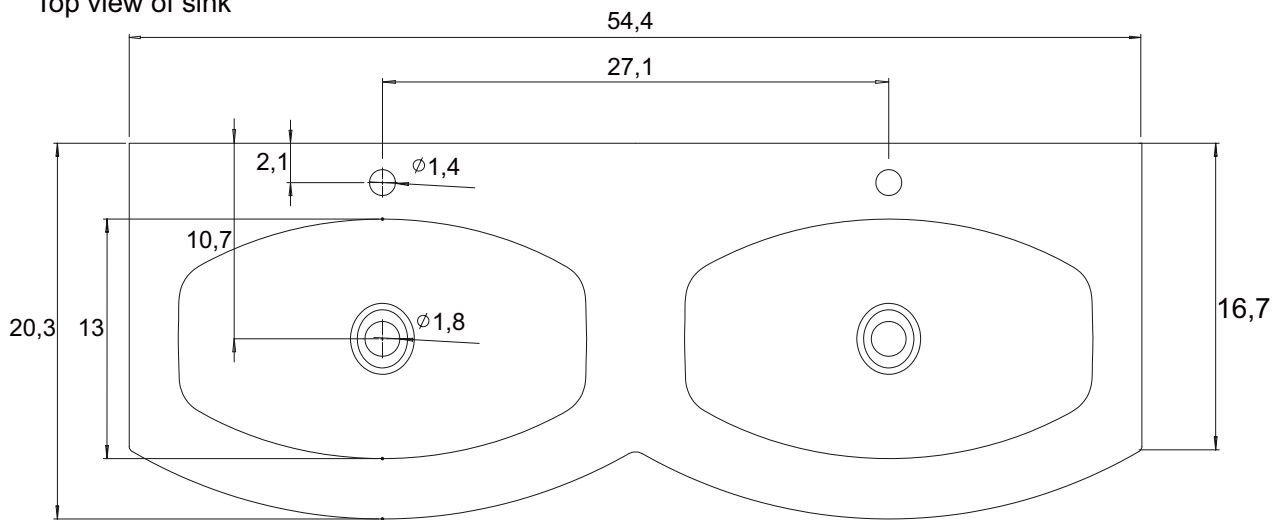
Faucet and silicone are not included.
 All sizes of sinks are subject to tolerance:
 +/- 0.40 inches (ceramic) and +/- 0.20
 inches (glass and resin)

Sink assembly

Install the faucet to the top and drains to the sink. Refer to the faucet and drain manufacturer's instructions.
 Complete the faucet connections. Run water and check for leaks.
 Apply a bead of silicone behind the top surface to the finished wall.

RESIN BASIN ART. 50156

Top view of sink



Installation notes:

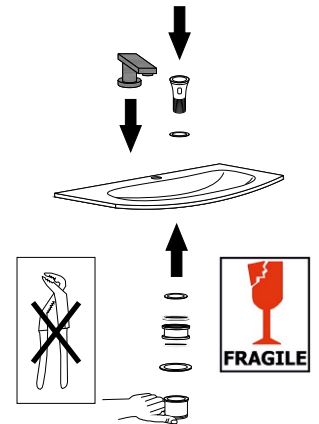
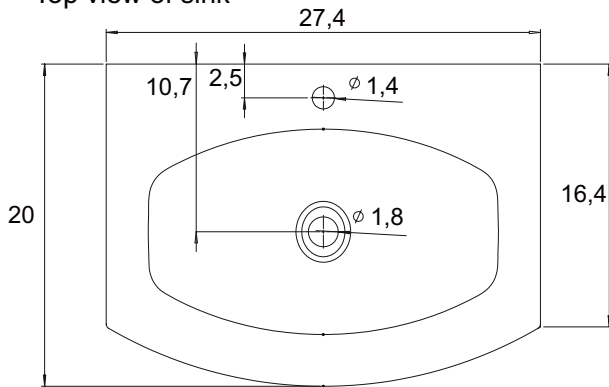
Faucet and silicone are not included.
 All sizes of sinks are subject to tolerance:
 +/- 0.40 inches (ceramic) and +/- 0.20
 inches (glass and resin)

Sink assembly

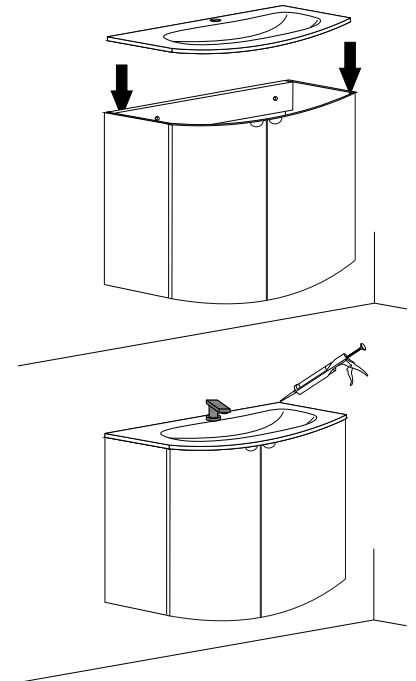
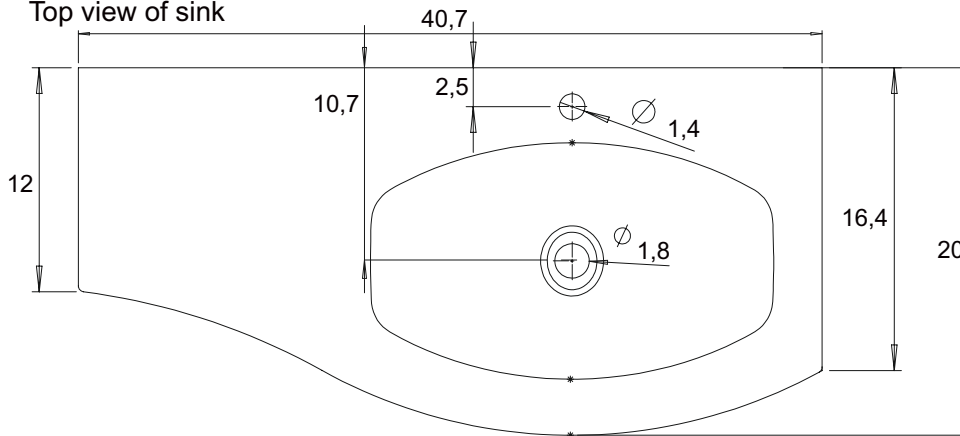
Install the faucet to the top and drains to the sink. Refer to the faucet and drain manufacturer's instructions.
 Complete the faucet connections. Run water and check for leaks.
 Apply a bead of silicone behind the top surface to the finished wall.

GLASS EXTRA-LIGHT BASIN ART. 82410

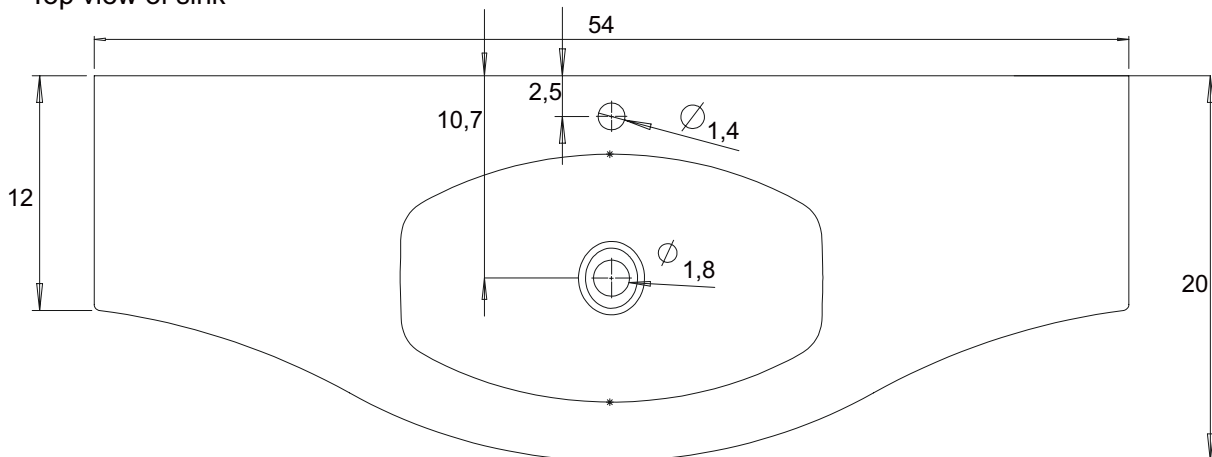
Top view of sink


GLASS EXTRA-LIGHT BASIN ART. 82408 - 82409

Top view of sink


GLASS EXTRA-LIGHT BASIN ART. 82411

Top view of sink



Installation notes:

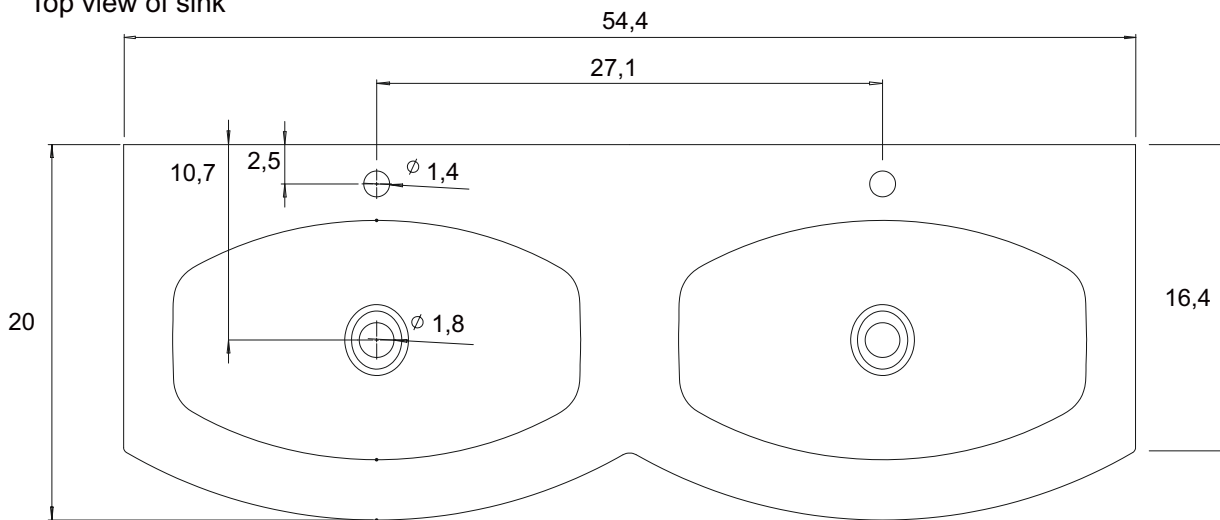
Faucet and silicone are not included.
 All sizes of sinks are subject to tolerance:
 +/- 0.40 inches (ceramic) and +/- 0.20
 inches (glass and resin)

Sink assembly

Install the faucet to the top and drains to the sink. Refer to the faucet and drain manufacturer's instructions.
 Complete the faucet connections. Run water and check for leaks.
 Apply a bead of silicone behind the top surface to the finished wall.

GLASS EXTRA-LIGHT BASIN ART. 82412

Top view of sink



LUXURY ITALIAN
FURNITURE

It's all
about the
experience



BADEN HAUS S.p.A.
SINCE 1979
www.badenhaus.it

HIGH CUPBOARD

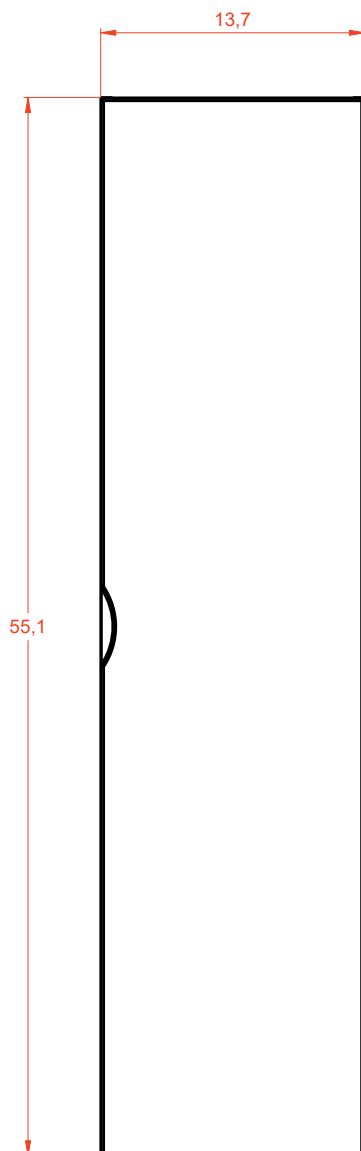
Series - Art. 44675/54595/44735/44914/
44597/44782/44783/54586/44672/44694/
44846/44828

Features:

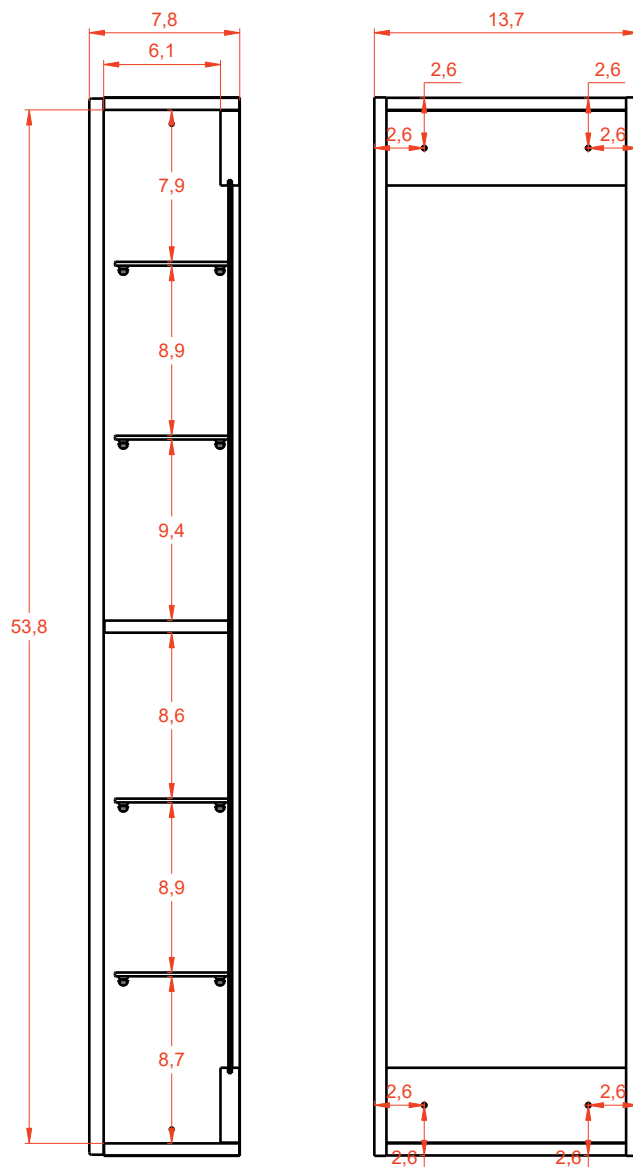
Includes installation hardware

Micro-Density Fiberboard (MDF) construction

Side view



Back view





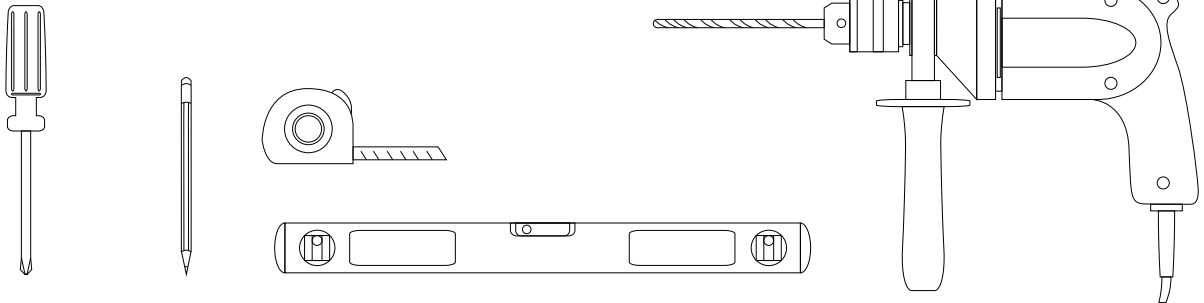
HIGH CUPBOARD

Series

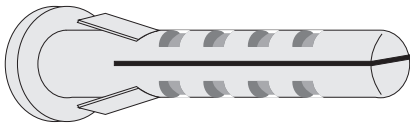
Installation notes:

Install this product according to the installation guide.
Choose fitting hardware according to wall material.

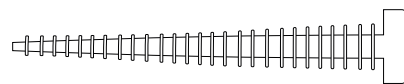
Installation tools not included:



Parts supplied:



X4



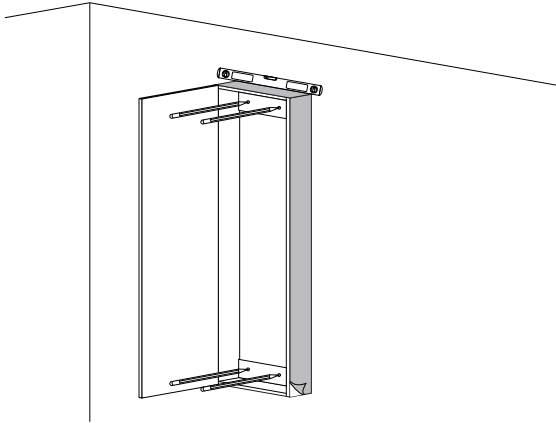
X4



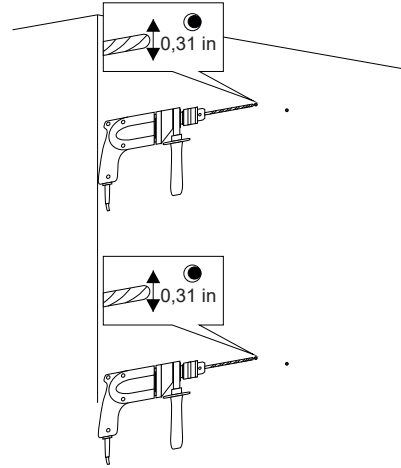
HIGH CUPBOARD

Series

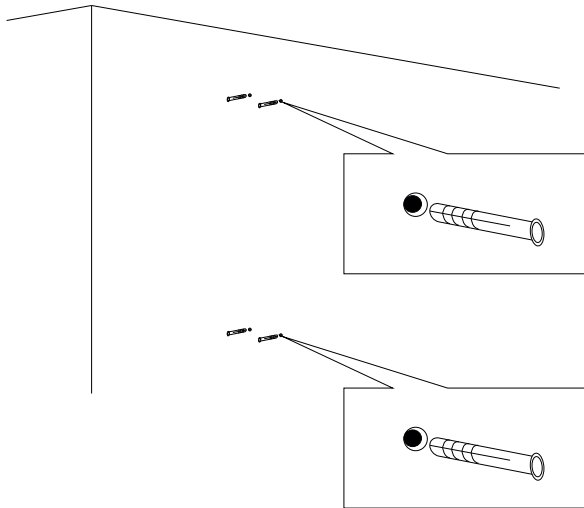
1



2



3



4

